

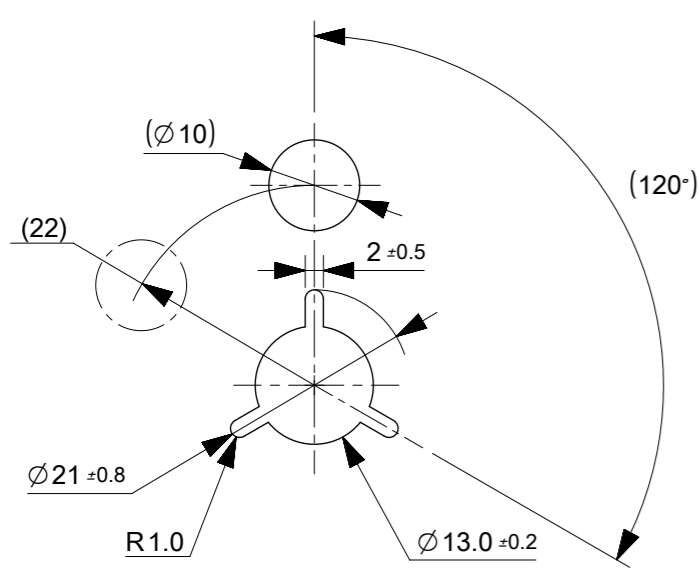
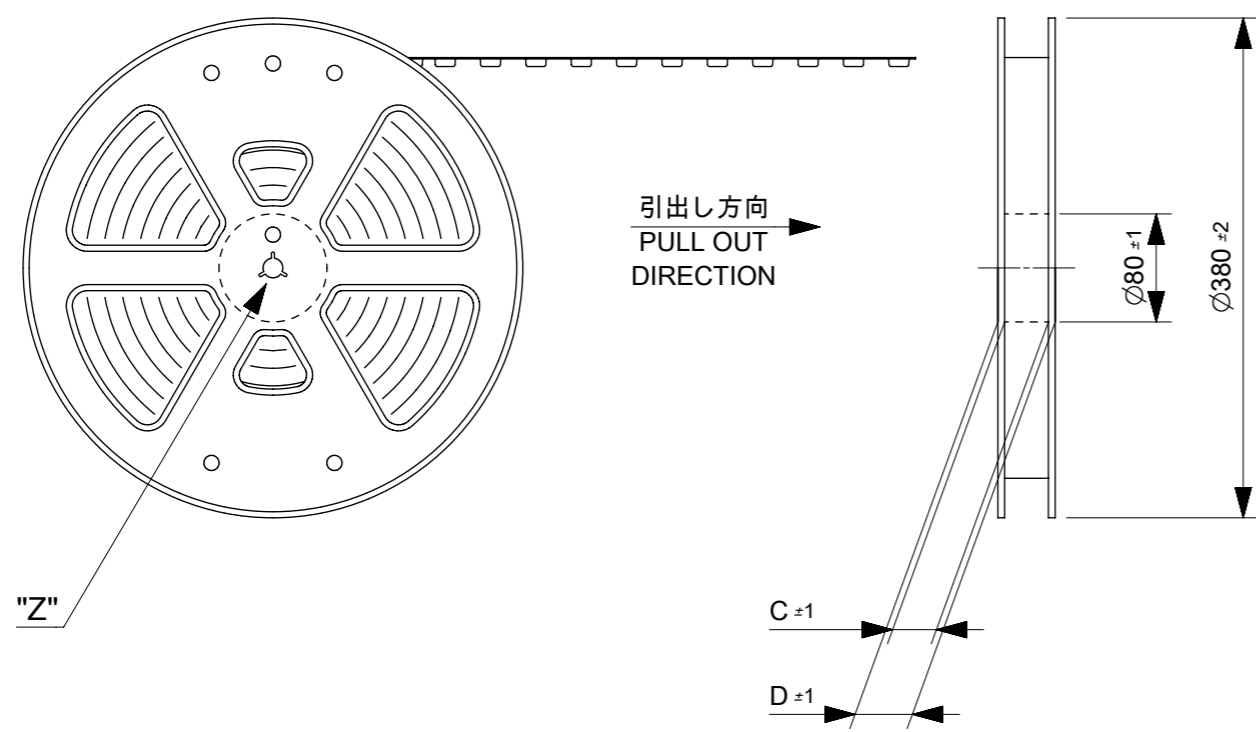
E

D

C

B

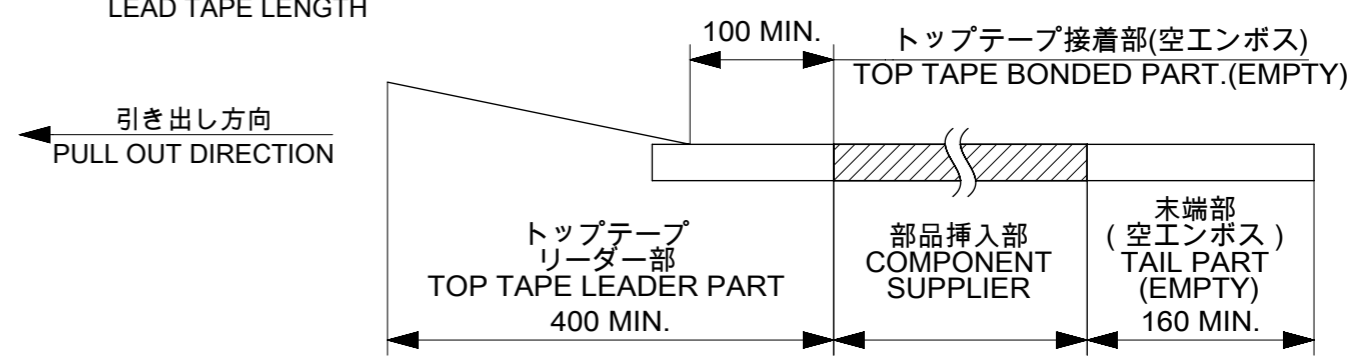
A



DETAIL "Z"

NOTES

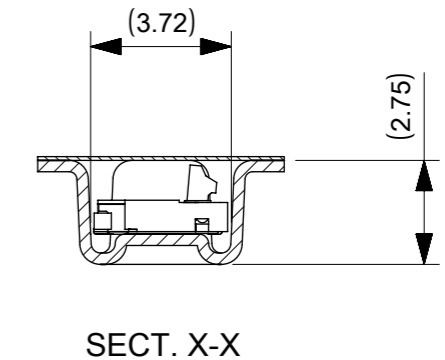
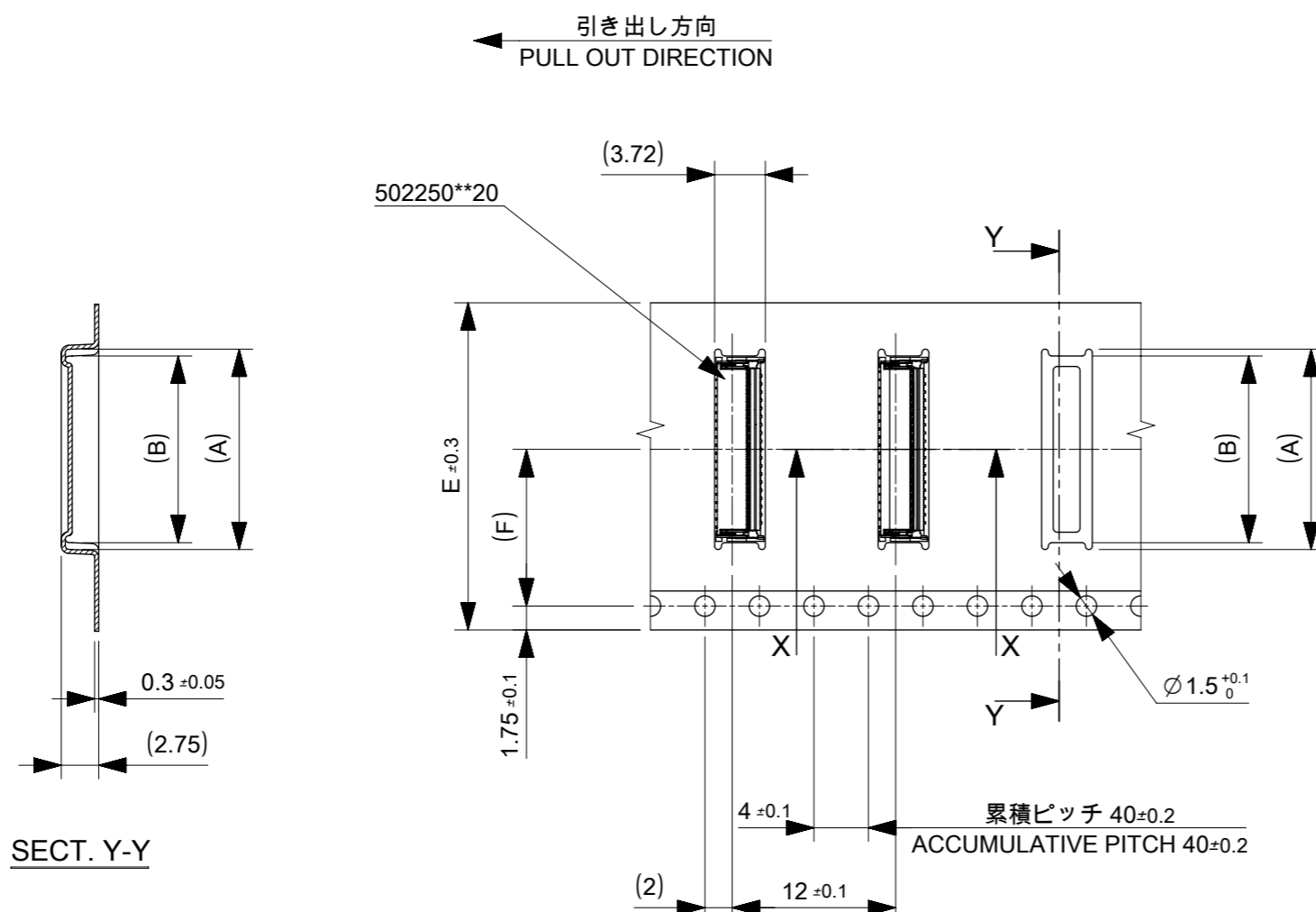
- 製品 (502250**20) の詳細寸法については、
図面 5022501000 DOC.PART 000 をご参照ください
IN THE PACKAGE, PART NO. 502250**20 DETAILED DIMENSIONS,
REFER TO SALES DRAWING NO. 5022501000 DOC.PART 000.
- 梱包数量 : 3000 個 / リル
NUMBER OF CONNECTORS:3000 PCS/REEL
- リ-ドテープ長さ
LEAD TAPE LENGTH



- 材料(MATERIAL)
キャリアテープ(CARRIER TAPE) : ポリスチレン(POLYSTYRENE)
トップテープ(TOP TAPE) : PET, OTHER
リ-ル(REEL) : ポリスチレン(POLYSTYRENE)<リサイクル材を含む>
<RECYCLE MATERIAL CONTAINED>
- ELV 及び RoHS適合品
ELV AND RoHS COMPLIANT.

502250**91 MODEL NO.

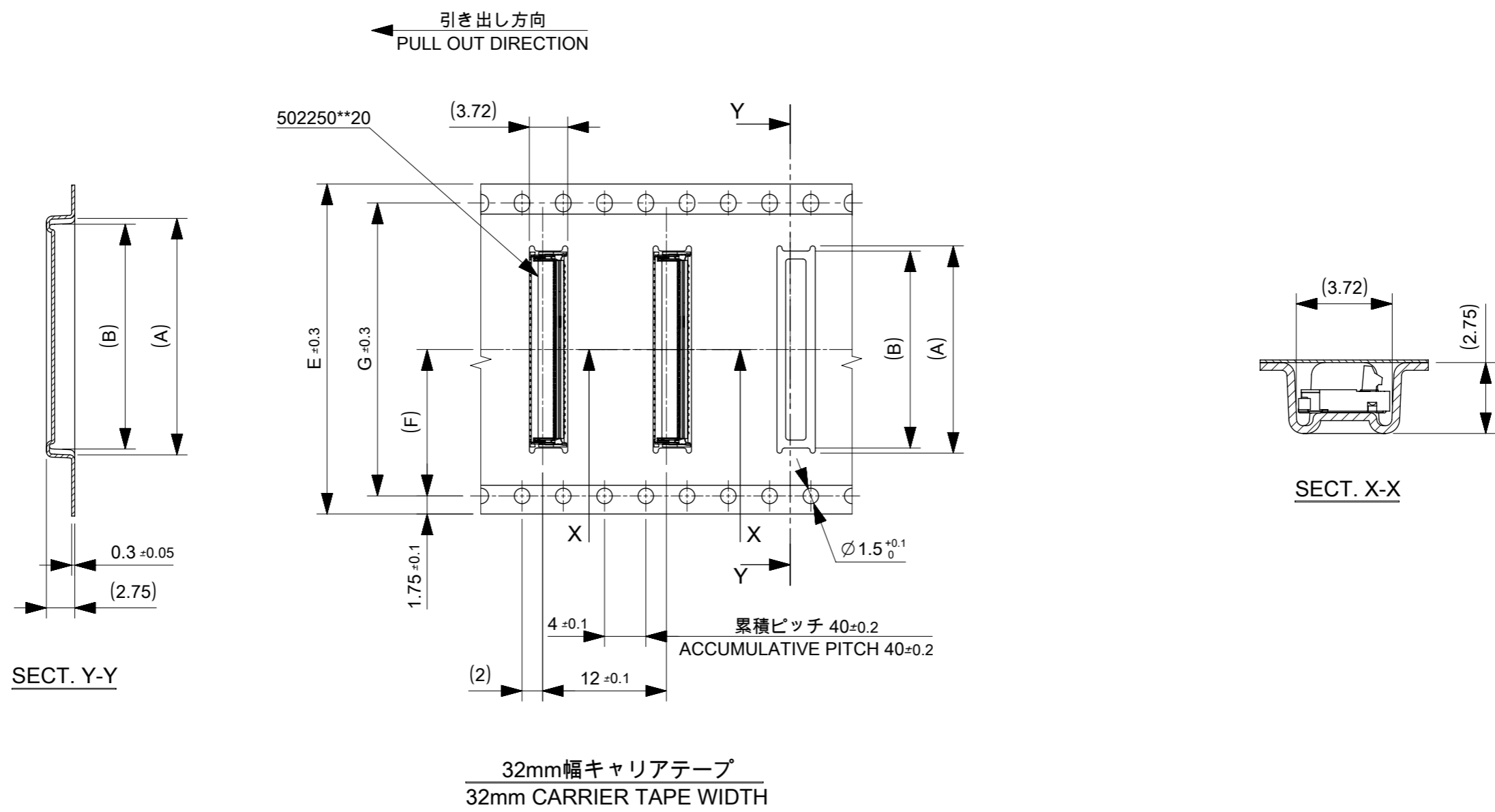
THIS DRAWING CONTAINS INFORMATION THAT IS PROPRIETARY TO MOLEX ELECTRONIC TECHNOLOGIES, LLC AND SHOULD NOT BE USED WITHOUT WRITTEN PERMISSION										
EC NO: 104567 DRWN: ABABU01 CHK'D: KTAKAHASHI APPR: TKUSUHARA01	2016/01/21	2016/05/09	2016/05/09	GENERAL TOLERANCES (UNLESS SPECIFIED)	DIMENSION UNITS	SCALE	molex			
					MM	NTS				
					ANGULAR TOL ± 3.0 °	DRWN BY	DATE	0.3 FPC CONN E/O B/F HGT =0.9MM EMBSTP PKG		
					4 PLACES ± 0.2	ABABU01	2016/01/21			
					3 PLACES ± 0.2	CHK'D BY	DATE	PRODUCT CUSTOMER DRAWING		
					2 PLACES ± 0.25	KTAKAHASHI	2016/05/09			
			1 PLACE ± 0.3	APPR BY	DATE	SERIES MATERIAL NUMBER CUSTOMER 502250 SEE TABLE GENERAL MARKET				
			0 PLACES ± 0.3	TKUSUHARA01	2016/05/09					
			DRAFT WHERE APPLICABLE MUST REMAIN WITHIN DIMENSIONS	DRAWING SIZE	THIRD ANGLE PROJECTION	DOCUMENT NUMBER DOC TYPE DOC PART SHEET NUMBER 5022500000 PSD 000 1 OF 3				
A	REV			A3						



24	11.5	24	29.4	25.4	14.3	15.3	5022504191	41	
					13.7	14.7	5022503991	39	
					12.5	13.5	5022503591	35	
					11.9	12.9	5022503391	33	
					10.1	11.1	5022502791	27	
					8.9	9.9	5022502391	23	
16	7.5	16	21.4	17.4	8.3	9.3	5022502191	21	
					7.1	8.1	5022501791	17	
キャリアテープ幅 CARRIER TAPE WIDTH		(F)	E	D	C	(B)	(A)	製品番号 MATERIAL NO.	極数 CIRCUIT
							MODEL NO.	502250**91	

THIS DRAWING CONTAINS INFORMATION THAT IS PROPRIETARY TO MOLEX ELECTRONIC TECHNOLOGIES, LLC AND SHOULD NOT BE USED WITHOUT WRITTEN PERMISSION

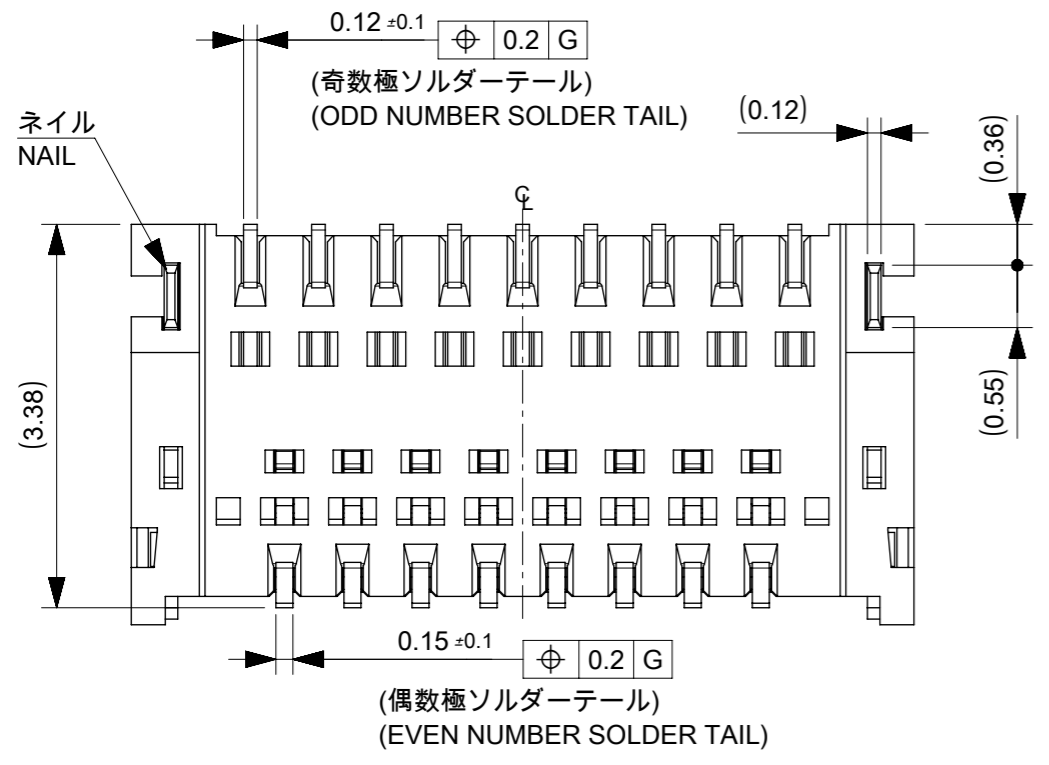
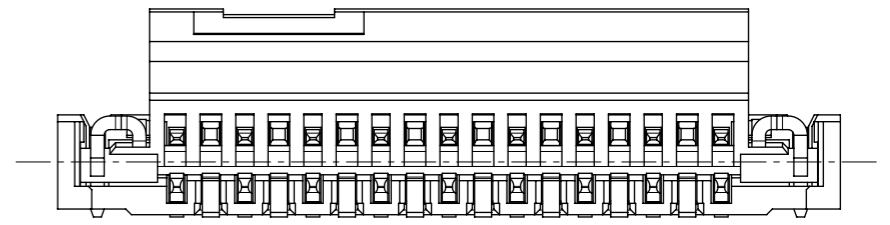
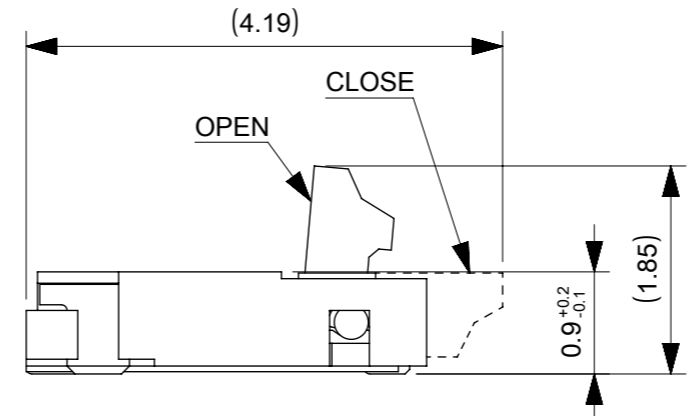
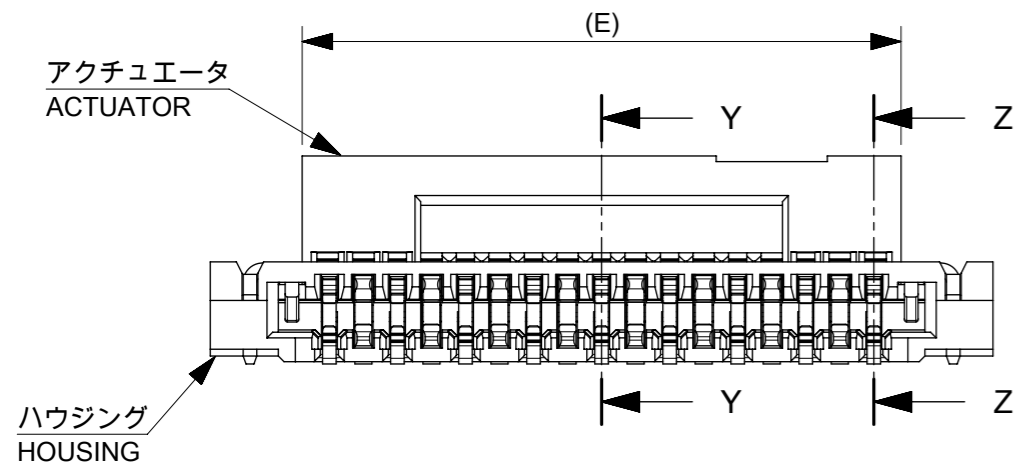
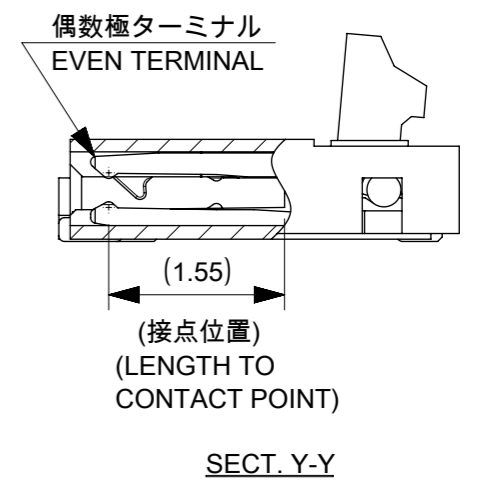
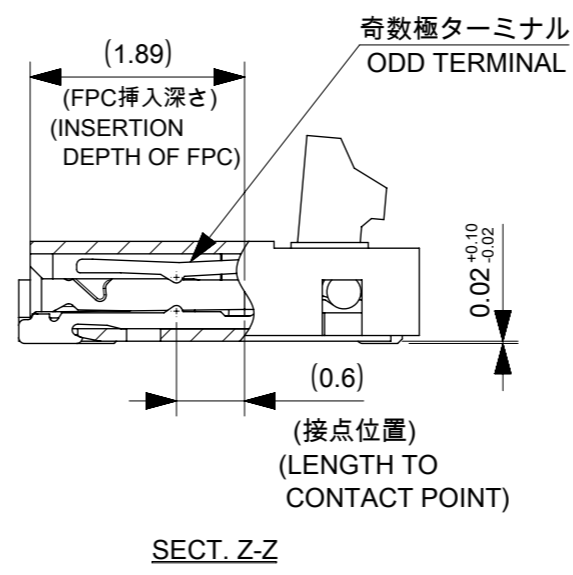
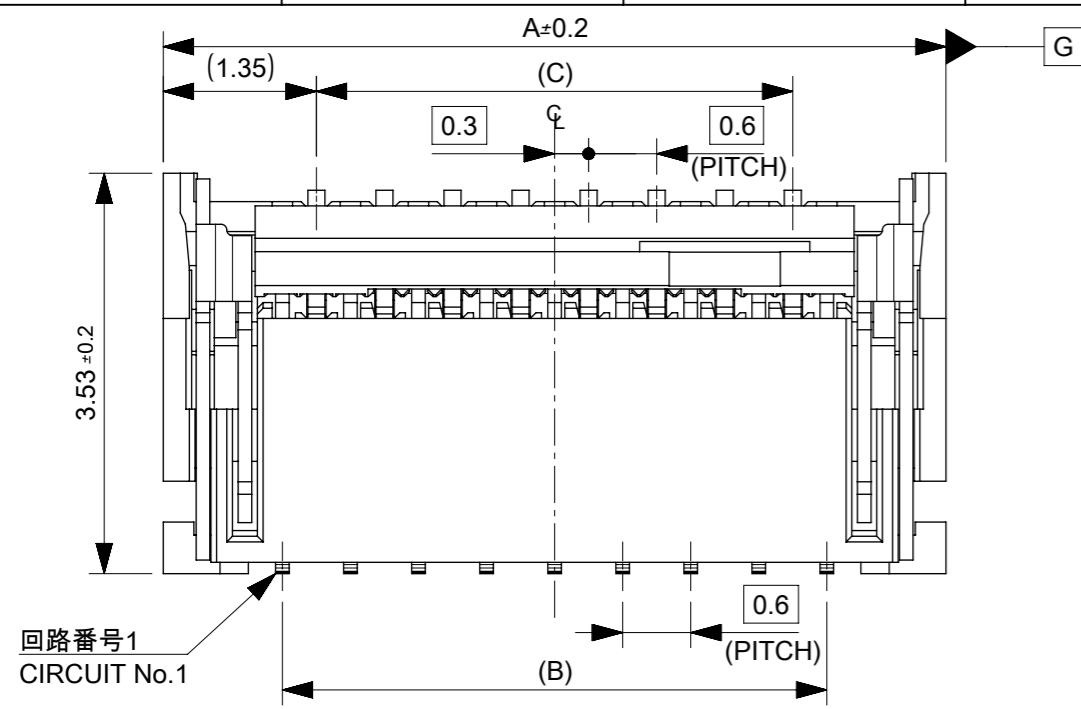
EC NO: 104567 DRWN: ABABU01 CHK'D: KTAKAHASHI APPR: TKUSUHARA01	2016/01/21	2016/05/09	2016/05/09	GENERAL TOLERANCES (UNLESS SPECIFIED) ANGULAR TOL ± 3.0 ° 4 PLACES ± 0.2 3 PLACES ± 0.2 2 PLACES ± 0.25 1 PLACE ± 0.3 0 PLACES ± 0.3 DRAFT WHERE APPLICABLE MUST REMAIN WITHIN DIMENSIONS	DIMENSION UNITS	SCALE			
					MM	NTS			
					DRWN BY	DATE		ABABU01	2016/01/21
					CHK'D BY	DATE		KTAKAHASHI	2016/05/09
					APPR BY	DATE		TKUSUHARA01	2016/05/09
					DRAWING SIZE	THIRD ANGLE PROJECTION		A3	
PRODUCT CUSTOMER DRAWING		SERIES	MATERIAL NUMBER	CUSTOMER					
		502250	SEE TABLE	GENERAL MARKET					
DOCUMENT NUMBER		DOC TYPE	DOC PART	SHEET NUMBER					
5022500000		PSD	000	2 OF 3					



32	28.4	14.2	32	37.4	33.4	17.3	18.3	5022505191	51
キャリアテープ幅 CARRIER TAPE WIDTH	G	(F)	E	D	C	(B)	(A)	製品番号 MATERIAL NO.	極数 CIRCUIT
								MODEL NO.	502250**91

THIS DRAWING CONTAINS INFORMATION THAT IS PROPRIETARY TO MOLEX ELECTRONIC TECHNOLOGIES, LLC AND SHOULD NOT BE USED WITHOUT WRITTEN PERMISSION

EC NO: 104567 DRWN: ABABU01 CHK'D: KTAKAHASHI APPR: TKUSUHARA01	2016/01/21	GENERAL TOLERANCES (UNLESS SPECIFIED) ANGULAR TOL ± 3.0 ° 4 PLACES ± 0.2 3 PLACES ± 0.2 2 PLACES ± 0.25 1 PLACE ± 0.3 0 PLACES ± 0.3	DIMENSION UNITS	SCALE		
	2016/05/09		MM	NTS		
	2016/05/09		DRWN BY	DATE		0.3 FPC CONN E/O B/F HGT = 0.9MM EMBSTP PKG
			ABABU01	2016/01/21		
			CHK'D BY	DATE		
			KTAKAHASHI	2016/05/09		PRODUCT CUSTOMER DRAWING
	APPR BY	DATE				
	TKUSUHARA01	2016/05/09	SERIES: 502250 MATERIAL NUMBER: SEE TABLE CUSTOMER: GENERAL MARKET			
			DRAWING SIZE: A3 THIRD ANGLE PROJECTION	DOCUMENT NUMBER: 5022500000 DOC TYPE: PSD DOC PART: 000 SHEET NUMBER: 3 OF 3		

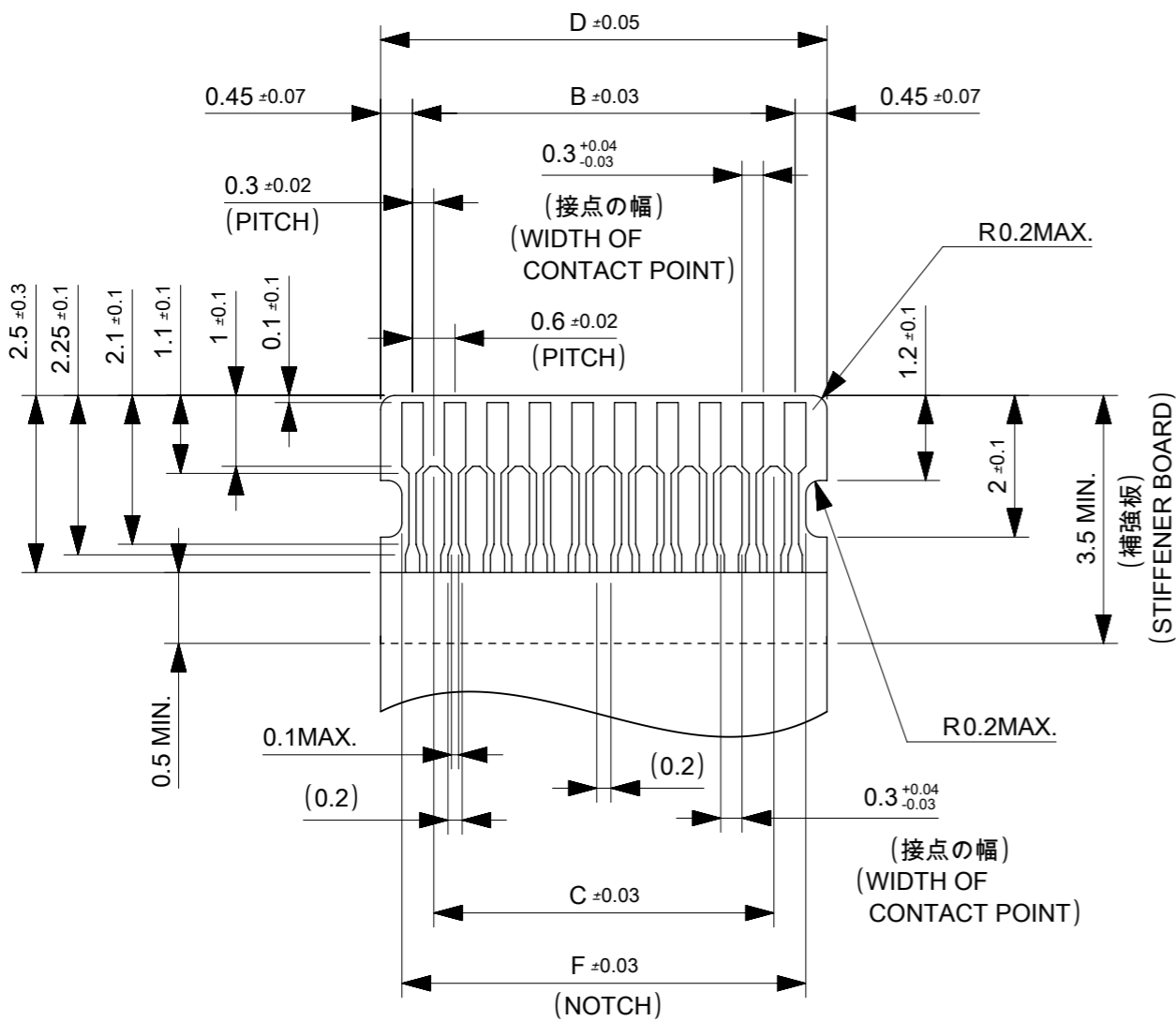


15.3	15.48	15.9	14.4	15.0	17.1	5022505191	5022505120	51
12.3	12.48	12.9	11.4	12.0	14.1	5022504191	5022504120	41
11.7	11.88	12.3	10.8	11.4	13.5	5022503991	5022503920	39
10.5	10.68	11.1	9.6	10.2	12.3	5022503591	5022503520	35
9.9	10.08	10.5	9.0	9.6	11.7	5022503391	5022503320	33
8.1	8.28	8.7	7.2	7.8	9.9	5022502791	5022502720	27
6.9	7.08	7.5	6.0	6.6	8.7	5022502391	5022502320	23
6.3	6.48	6.9	5.4	6.0	8.1	5022502191	5022502120	21
5.1	5.28	5.7	4.2	4.8	6.9	5022501791	5022501720	17
F	E	D	C	B	A	EMBOSSED TAPE PKG. ORDER NO.		MATERIAL No. CIRCUITS

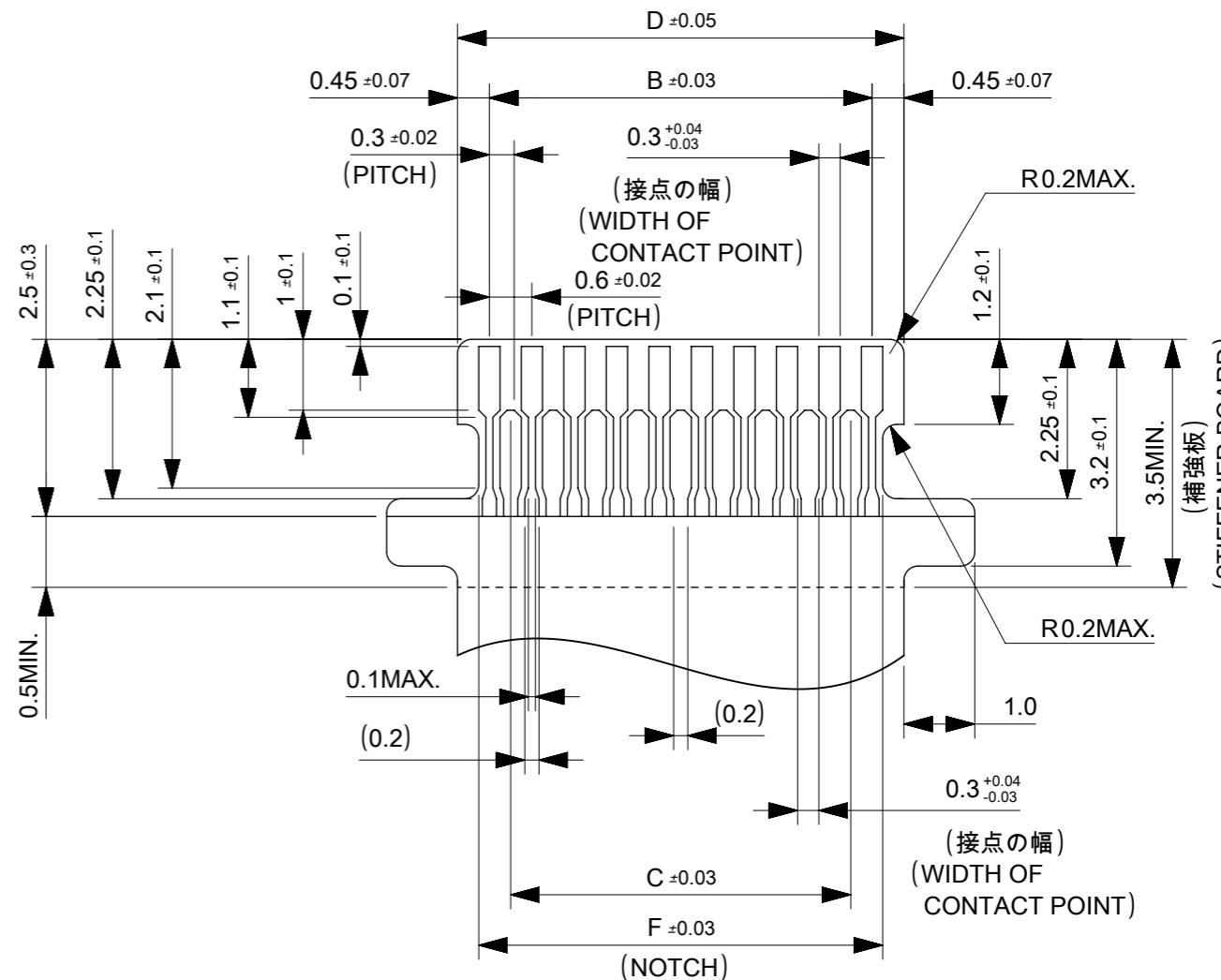
MODEL No. 502250**20

THIS DRAWING CONTAINS INFORMATION THAT IS PROPRIETARY TO MOLEX ELECTRONIC TECHNOLOGIES, LLC AND SHOULD NOT BE USED WITHOUT WRITTEN PERMISSION

EC NO: 104567 DRWN: RLALSANGI CHK'D: KTAKAHASHI APPR: TKUSUHARA01	2016/01/22	2016/05/09	2016/05/09	GENERAL TOLERANCES (UNLESS SPECIFIED) ANGULAR TOL ± 3.0 ° 4 PLACES ± 0.2 3 PLACES ± 0.2 2 PLACES ± 0.25 1 PLACE ± 0.3 0 PLACES ± 0.3	DIMENSION UNITS	SCALE		
					MM	15:1		
					DRWN BY	DATE		RLALSANGI 2016/01/22
					CHK'D BY	DATE		KTAKAHASHI 2016/05/09
					APPR BY	DATE	TKUSUHARA01 2016/05/09	
					DRAWING SIZE	THIRD ANGLE PROJECTION	PRODUCT CUSTOMER DRAWING	
					A3		SERIES MATERIAL NUMBER CUSTOMER	
							502250 SEE CHART GENERAL MARKET	
							DOCUMENT NUMBER DOC TYPE DOC PART SHEET NUMBER	
							5022501000 PSD 000 1 OF 3	



標準 FPC
STANDARD



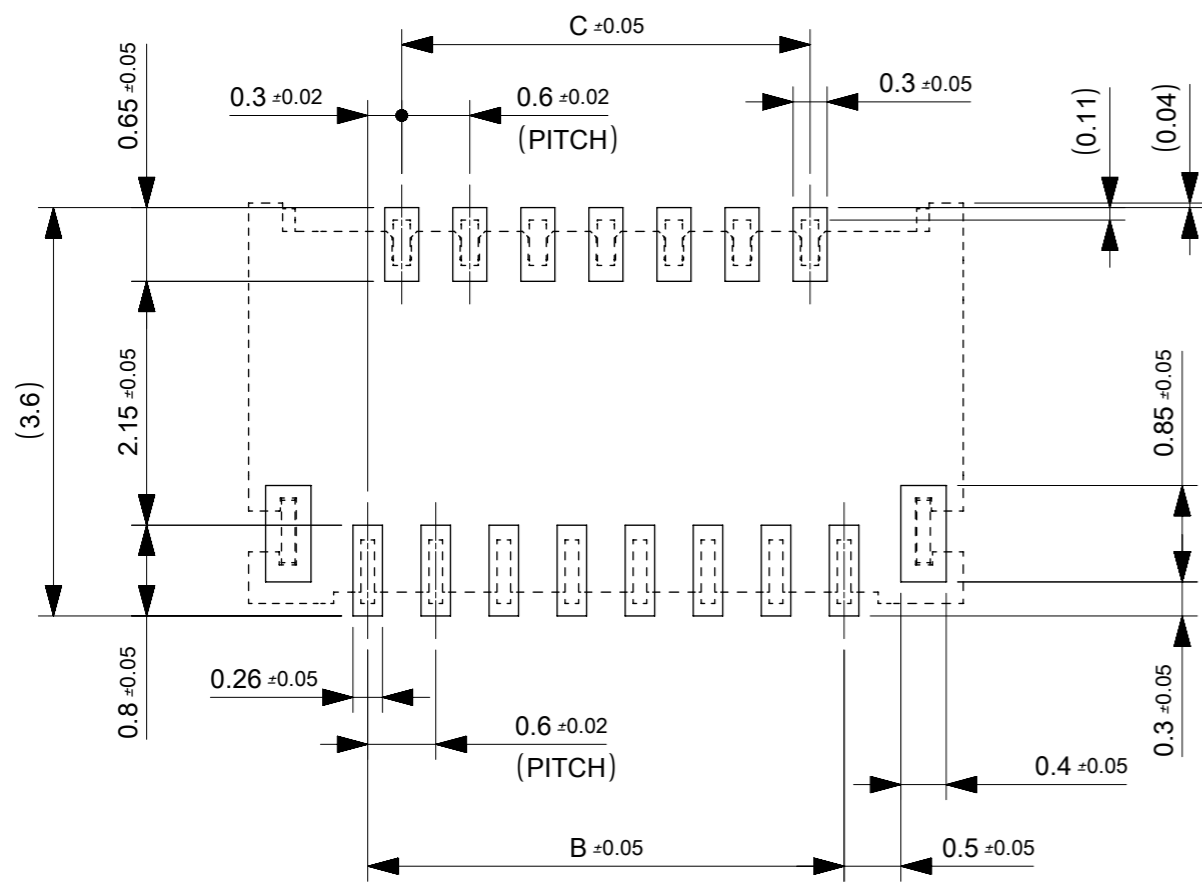
挿入位置確認用耳つき FPC
WITH EARS FOR FPC INSERTION ALIGNMENT

嵌合 FPC 推奨寸法
APPLICABLE FPC
RECOMMENDED DIMENSION
(仕上がり厚さ : 0.2 ± 0.03)
(THICKNESS: 0.2 ± 0.03)

FPCについて：
抜き方向は、導体側から補強板側を推奨致します。
補強フィルム材質は、ポリイミドを推奨致します。
接着剤は熱硬化接着剤を推奨します。
尚、接着剤の接点部への付着は導通不良の原因になりますので、
染み出しが無い様、お願い致します。

ABOUT FPC:
RECOMMENDED PUNCHER DIRECTION:
FROM CONDUCTOR SIDE TO STIFFNER FILM SIDE.
RECOMMENDED MATERIAL:
STIFFENER FILM : POLYIMIDE
BONDING AGENT : THERMOSETTING AGENT
PLEASE PUT APPROPRIATE AMOUNT OF ADHESIVE ON ADHEREND
BECAUSE THERE IS A POSSIBILITY THAT THE EXTRA ADHESIVE
CAUSES THE DEFECT IN ELECTRICAL CONTINUITY.

THIS DRAWING CONTAINS INFORMATION THAT IS PROPRIETARY TO MOLEX ELECTRONIC TECHNOLOGIES, LLC AND SHOULD NOT BE USED WITHOUT WRITTEN PERMISSION											
EC NO: 104567 DRWN: RLALSANGI CHK'D: KTAKAHASHI APPR: TKUSUHARA01	2016/01/22	2016/05/09	2016/05/09	GENERAL TOLERANCES (UNLESS SPECIFIED) ANGULAR TOL ± 3.0 ° 4 PLACES ± 0.2 3 PLACES ± 0.2 2 PLACES ± 0.25 1 PLACE ± 0.3 0 PLACES ± 0.3 DRAFT WHERE APPLICABLE MUST REMAIN WITHIN DIMENSIONS	DIMENSION UNITS	SCALE					
					MM	10:1					
					DRWN BY	DATE				RLALSANGI	2016/01/22
							CHK'D BY	DATE	0.3 FPC CONN E/O B/F HSG ASSY HGT=0.9MM		
							KTAKAHASHI	2016/05/09			
							APPR BY	DATE	PRODUCT CUSTOMER DRAWING		
					TKUSUHARA01	2016/05/09					
					DRAWING SIZE	THIRD ANGLE PROJECTION	SERIES	MATERIAL NUMBER	CUSTOMER		
					A3		502250	SEE CHART	GENERAL MARKET		
							DOCUMENT NUMBER	DOC TYPE	DOC PART	SHEET NUMBER	
							5022501000	PSD	000	2 OF 3	



推奨基板レイアウト図(マウント面)
P.C BOARD PATTERN
RECOMMENDED DIMENSION
(MOUNTING AREA)

推奨メタルマスク開口率について
開口率 : 推奨パターン面積の100%
ABOUT METAL MASK SPECIFICATION
RECOMMEND APERTURE RATE : 100%

注記 NOTES

- 使用材料 MATERIAL
ハウジング : 液晶ポリマー ガラス充填 UL94V-0 (ナチュラル)
HOUSING : LIQUID CRYSTAL POLYMER (GLASS FILLED)
UL94V-0(COLOR:NATURAL)
アクチュエータ : ポリフェニレンサルファイド ガラス充填 UL94V-0 (黒)
ACTUATOR : POLYPHENYLENE SULFIDE (GLASS FILLED)
UL94V-0(COLOR:BLACK)
ターミナル : 銅合金,ニッケル下地部分金メッキ (接触部及びテール部)
TERMINAL : COPPER ALLOY,
PARTLY GOLD(CONTACT,TAIL) OVER NICKEL PLATING
ネイル : リン青銅,ニッケル下地錫めっき
FITTING NAIL : PHOSPHOR-BRONZE, TIN OVER NICKEL PLATING
- ソルダーテール半田付け面,及びネイル半田付け面の平坦度 : 0.1mmMAX.
COPLANARITY OF SOLDER TAILS AND FITTING NAILS
TO BE 0.1mm MAX.
- 基板実装前にアクチュエータを操作しないで下さい。
PLEASE DO NOT OPERATE THE ACTUATOR BEFORE MOUNTING.
必ず基板に実装し,FPCを挿入してからアクチュエータを操作して下さい。
PLEASE OPERATE THE ACTUATOR AFTER MOUNTING ON
THE SUBSTRATE,AND MATING FPC.
- 推奨メタルマスク RECOMMENDED METAL MASK SPECIFICATION
マスク厚 : 0.1mm MASK THICKNESS : 0.1mm
なお,貴社にて上記以外でご使用頂く場合は,事前に確認頂きますようお願い致します。
WHEN USE IT OTHER THAN THE ABOVE IN YOUR COMPANY,
PLEASE CONFIRM IT BEFOREHAND.
- ELV 及び RoHS適合品
ELV AND RoHS COMPLIANT.

THIS DRAWING CONTAINS INFORMATION THAT IS PROPRIETARY TO MOLEX ELECTRONIC TECHNOLOGIES, LLC AND SHOULD NOT BE USED WITHOUT WRITTEN PERMISSION											
EC NO: 104567 DRWN: RLALSANGI CHK'D: KTAKAHASHI APP: TKUSUHARA01	2016/01/22		GENERAL TOLERANCES (UNLESS SPECIFIED)		DIMENSION UNITS		SCALE				
	2016/05/09		ANGULAR TOL ± 3.0 °		MM		10:1				
	2016/05/09		4 PLACES ± 0.2		DRWN BY		DATE		0.3 FPC CONN E/O B/F HSG ASSY HGT=0.9MM		
			3 PLACES ± 0.2		RLALSANGI		2016/01/22				
			2 PLACES ± 0.25		CHK'D BY		DATE				
			1 PLACE ± 0.3		KTAKAHASHI		2016/05/09		PRODUCT CUSTOMER DRAWING		
		0 PLACES ± 0.3		APPR BY		DATE					
		DRAFT WHERE APPLICABLE MUST REMAIN WITHIN DIMENSIONS		TKUSUHARA01		2016/05/09		SERIES	MATERIAL NUMBER		CUSTOMER
				DRAWING SIZE		THIRD ANGLE PROJECTION		502250	SEE CHART		GENERAL MARKET
				A3				DOCUMENT NUMBER	DOC TYPE	DOC PART	SHEET NUMBER
								5022501000	PSD	000	3 OF 3