

24	11.5	24	29.4	25.4	14.3	15.3	5022504191	41	
					13.7	14.7	5022503991	39	
					12.5	13.5	5022503591	35	
					11.9	12.9	5022503391	33	
					10.1	11.1	5022502791	27	
					8.9	9.9	5022502391	23	
16	7.5	16	21.4	17.4	8.3	9.3	5022502191	21	
					7.1	8.1	5022501791	17	
キャリアテープ幅 CARRIER TAPE WIDTH		(F)	E	D	C	(B)	(A)	製品番号 MATERIAL NO.	極数 CIRCUIT
							MODEL NO.	502250**91	

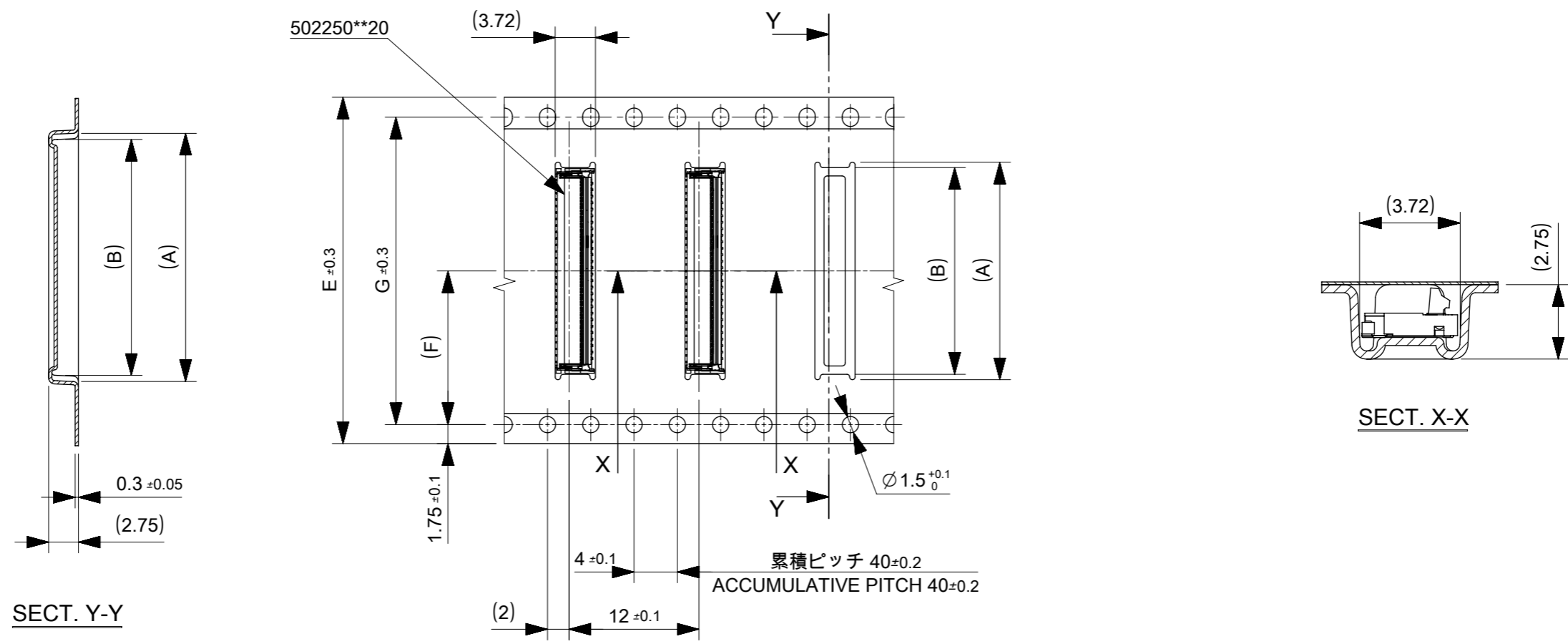
THIS DRAWING CONTAINS INFORMATION THAT IS PROPRIETARY TO MOLEX ELECTRONIC TECHNOLOGIES, LLC AND SHOULD NOT BE USED WITHOUT WRITTEN PERMISSION

EC NO: 104567 DRWN: ABABU01 CHK'D: KTAKAHASHI APPR: TKUSUHARA01	2016/01/21	GENERAL TOLERANCES (UNLESS SPECIFIED) ANGULAR TOL ± 3.0 ° 4 PLACES ± 0.2 3 PLACES ± 0.2 2 PLACES ± 0.25 1 PLACE ± 0.3 0 PLACES ± 0.3	DIMENSION UNITS	SCALE				
	2016/05/09		MM	NTS				
	2016/05/09		DRWN BY	DATE		0.3 FPC CONN E/O B/F HGT = 0.9MM EMBSTP PKG		
			ABABU01	2016/01/21				
			CHK'D BY	DATE				
			KTAKAHASHI	2016/05/09		PRODUCT CUSTOMER DRAWING		
	APPR BY	DATE						
	TKUSUHARA01	2016/05/09	SERIES	MATERIAL NUMBER	CUSTOMER			
			502250	SEE TABLE	GENERAL MARKET			
			DRAWING SIZE	THIRD ANGLE PROJECTION	DOCUMENT NUMBER	DOC TYPE	DOC PART	SHEET NUMBER
			A3		5022500000	PSD	000	2 OF 3

DRAFT WHERE APPLICABLE MUST REMAIN WITHIN DIMENSIONS

E

引き出し方向  
PULL OUT DIRECTION



SECT. Y-Y

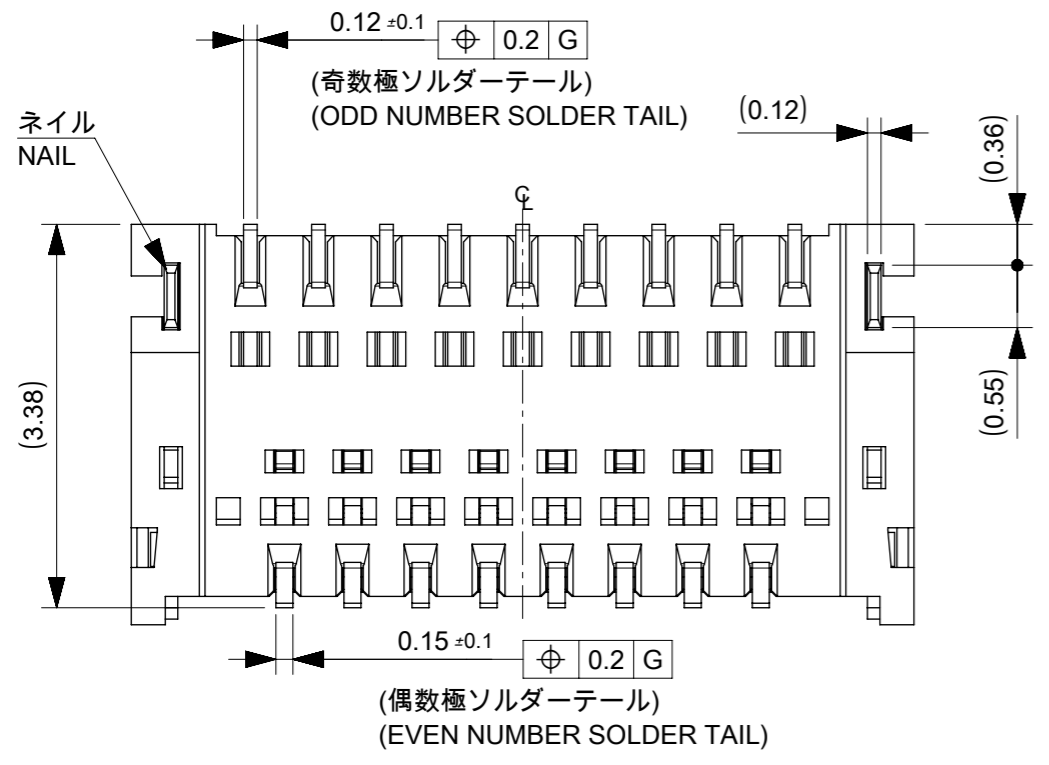
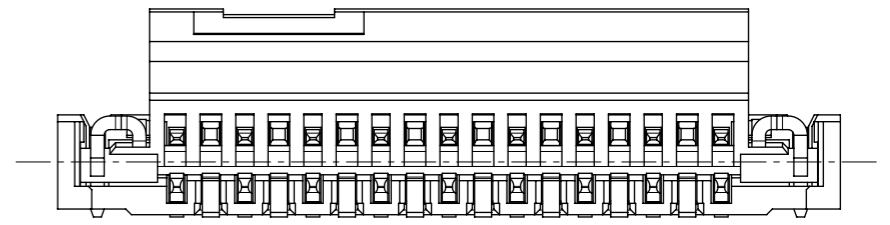
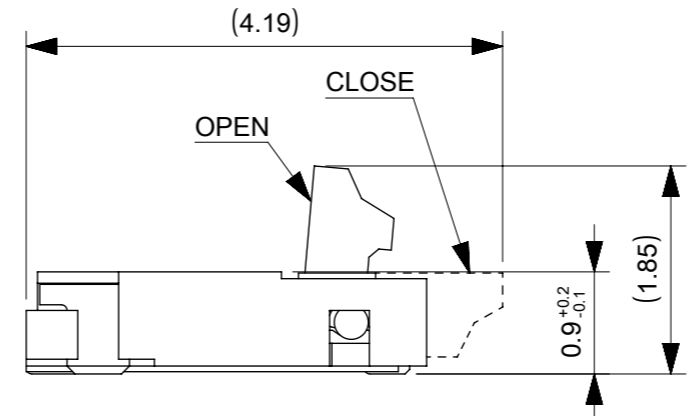
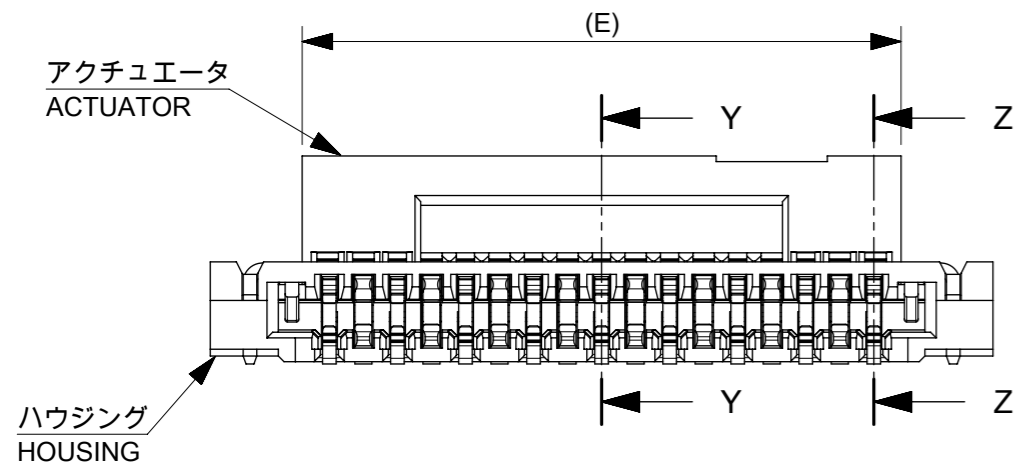
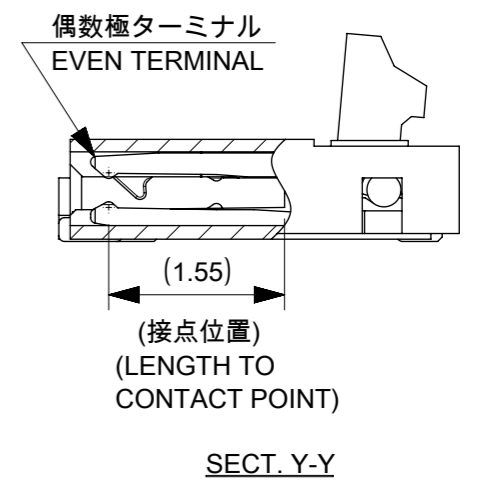
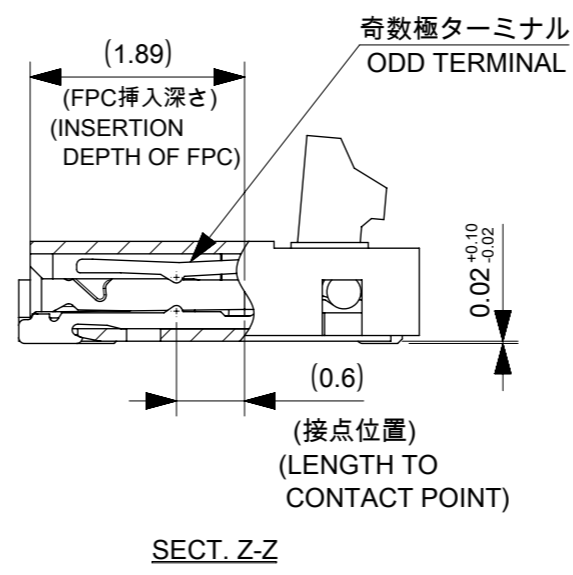
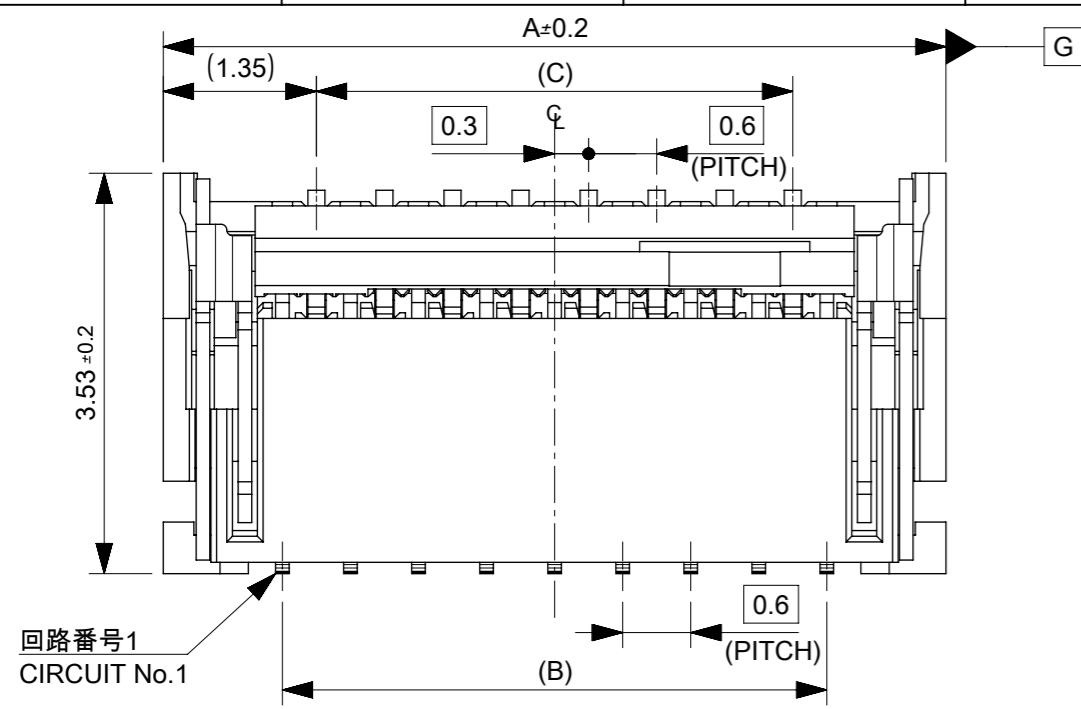
SECT. X-X

32mm幅キャリアテープ  
32mm CARRIER TAPE WIDTH

32	28.4	14.2	32	37.4	33.4	17.3	18.3	5022505191	51
キャリアテープ幅 CARRIER TAPE WIDTH	G	(F)	E	D	C	(B)	(A)	製品番号 MATERIAL NO.	極数 CIRCUIT
								MODEL NO.	502250**91

THIS DRAWING CONTAINS INFORMATION THAT IS PROPRIETARY TO MOLEX ELECTRONIC TECHNOLOGIES, LLC AND SHOULD NOT BE USED WITHOUT WRITTEN PERMISSION

EC NO: 104567 DRWN: ABABU01 CHK'D: KTAKAHASHI APPR: TKUSUHARA01	2016/01/21	GENERAL TOLERANCES (UNLESS SPECIFIED) ANGULAR TOL ± 3.0 ° 4 PLACES ± 0.2 3 PLACES ± 0.2 2 PLACES ± 0.25 1 PLACE ± 0.3 0 PLACES ± 0.3	DIMENSION UNITS	SCALE				
	2016/05/09		MM	NTS				
	2016/05/09		DRWN BY	DATE		0.3 FPC CONN E/O B/F HGT = 0.9MM EMBSTP PKG		
			ABABU01	2016/01/21				
			KTAKAHASHI	2016/05/09				
	TKUSUHARA01	2016/05/09	PRODUCT CUSTOMER DRAWING					
			DRAWING SIZE	THIRD ANGLE PROJECTION	SERIES	MATERIAL NUMBER	CUSTOMER	
			A3		502250	SEE TABLE	GENERAL MARKET	
					DOCUMENT NUMBER	DOC TYPE	DOC PART	SHEET NUMBER
					5022500000	PSD	000	3 OF 3

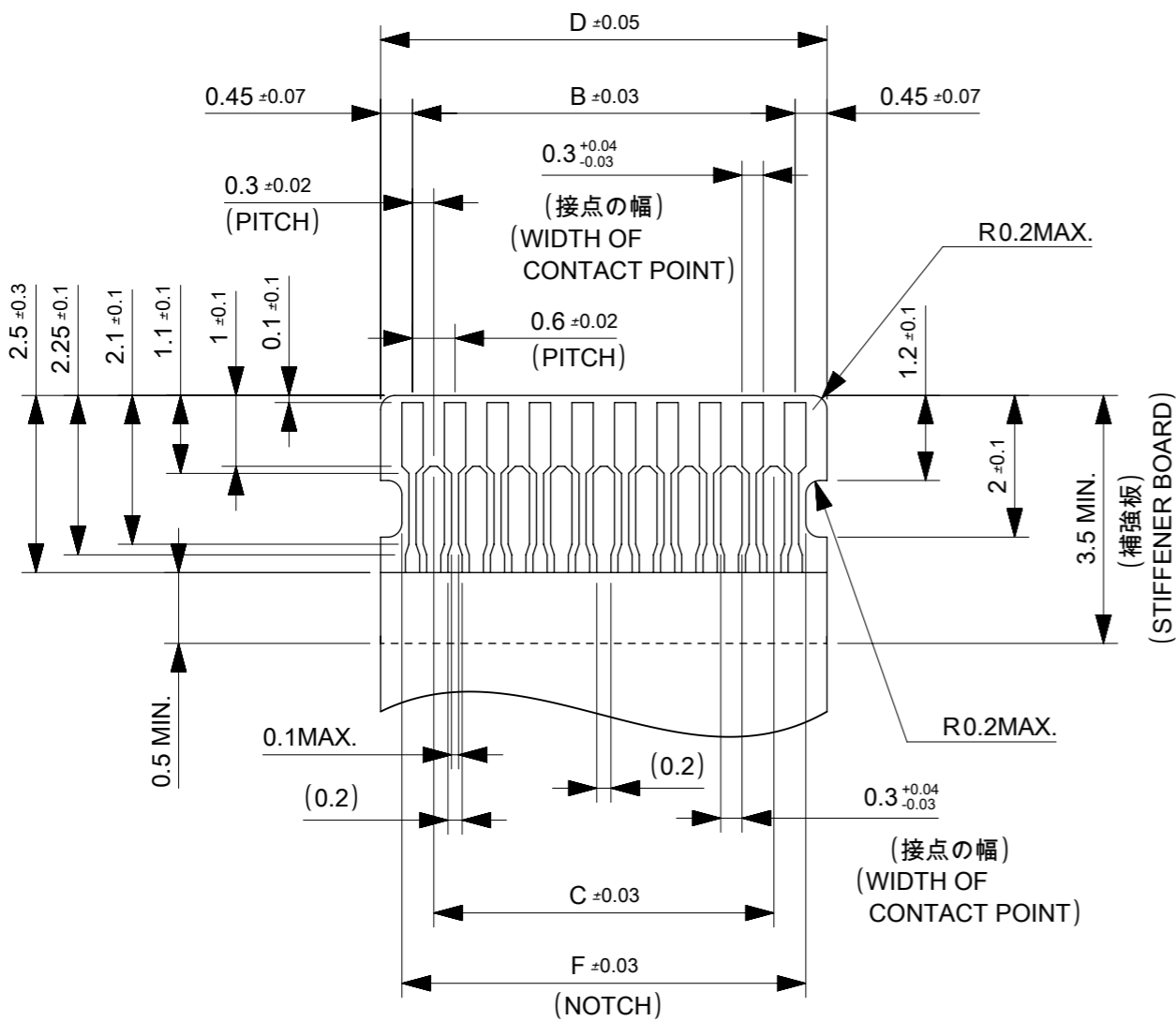


15.3	15.48	15.9	14.4	15.0	17.1	5022505191	5022505120	51
12.3	12.48	12.9	11.4	12.0	14.1	5022504191	5022504120	41
11.7	11.88	12.3	10.8	11.4	13.5	5022503991	5022503920	39
10.5	10.68	11.1	9.6	10.2	12.3	5022503591	5022503520	35
9.9	10.08	10.5	9.0	9.6	11.7	5022503391	5022503320	33
8.1	8.28	8.7	7.2	7.8	9.9	5022502791	5022502720	27
6.9	7.08	7.5	6.0	6.6	8.7	5022502391	5022502320	23
6.3	6.48	6.9	5.4	6.0	8.1	5022502191	5022502120	21
5.1	5.28	5.7	4.2	4.8	6.9	5022501791	5022501720	17
F	E	D	C	B	A	EMBOSSED TAPE PKG. ORDER NO.		MATERIAL No. CIRCUITS

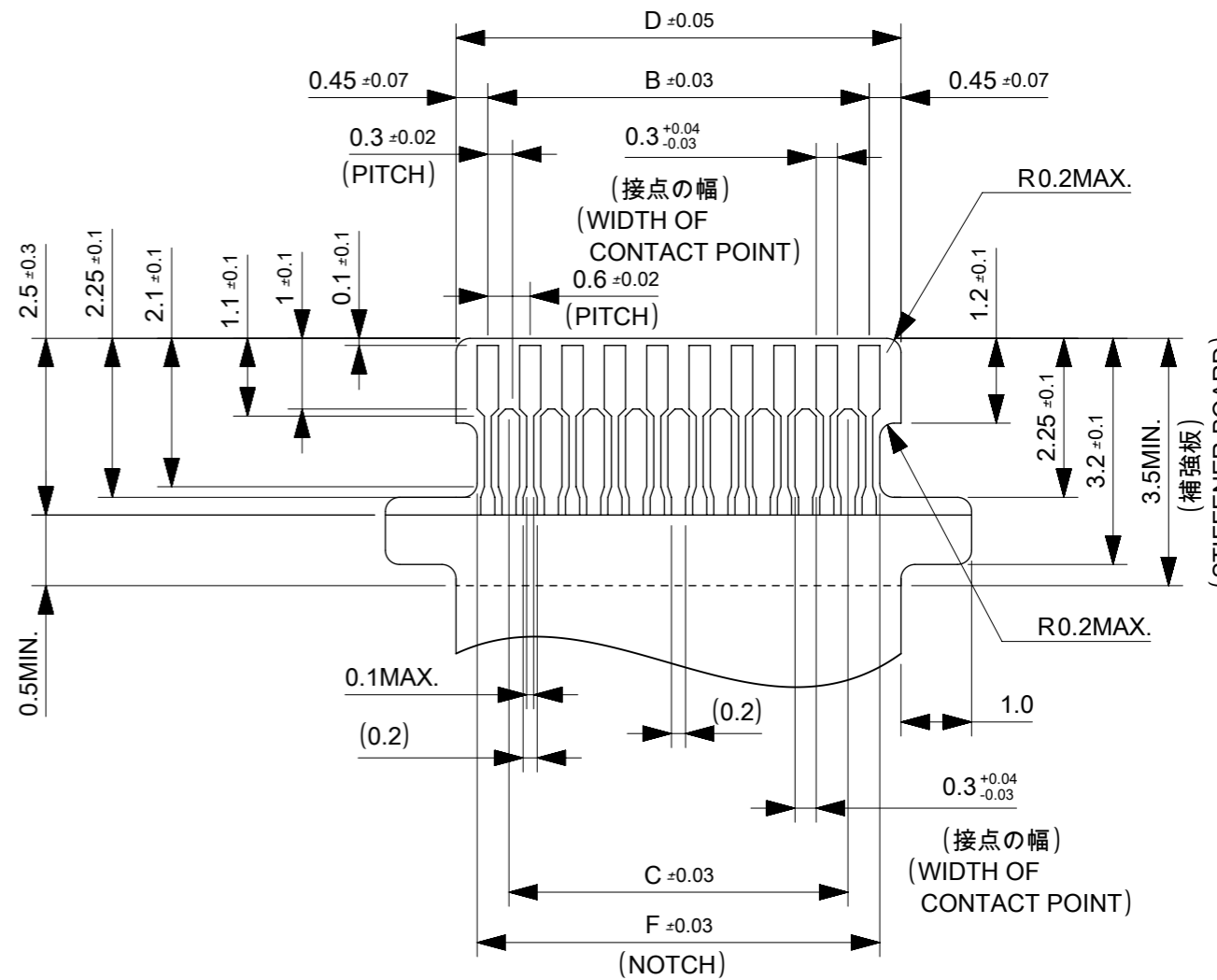
MODEL No. 502250\*\*20

THIS DRAWING CONTAINS INFORMATION THAT IS PROPRIETARY TO MOLEX ELECTRONIC TECHNOLOGIES, LLC AND SHOULD NOT BE USED WITHOUT WRITTEN PERMISSION

EC NO: 104567 DRWN: RLALSANGI CHK'D: KTAKAHASHI APPR: TKUSUHARA01	2016/01/22	GENERAL TOLERANCES (UNLESS SPECIFIED) ANGULAR TOL ± 3.0 ° 4 PLACES ± 0.2 3 PLACES ± 0.2 2 PLACES ± 0.25 1 PLACE ± 0.3 0 PLACES ± 0.3	DIMENSION UNITS	SCALE				
	2016/05/09		MM	15:1				
	2016/05/09		DRWN BY	DATE		0.3 FPC CONN E/O B/F HSG ASSY HGT=0.9MM		
			RLALSANGI	2016/01/22				
			KTAKAHASHI	2016/05/09				
	TKUSUHARA01	2016/05/09	PRODUCT CUSTOMER DRAWING					
			DRAWING SIZE	THIRD ANGLE PROJECTION	SERIES	MATERIAL NUMBER	CUSTOMER	
			A3		502250	SEE CHART	GENERAL MARKET	
			DRAFT WHERE APPLICABLE MUST REMAIN WITHIN DIMENSIONS		DOCUMENT NUMBER	DOC TYPE	DOC PART	SHEET NUMBER
					5022501000	PSD	000	1 OF 3



標準 FPC  
STANDARD



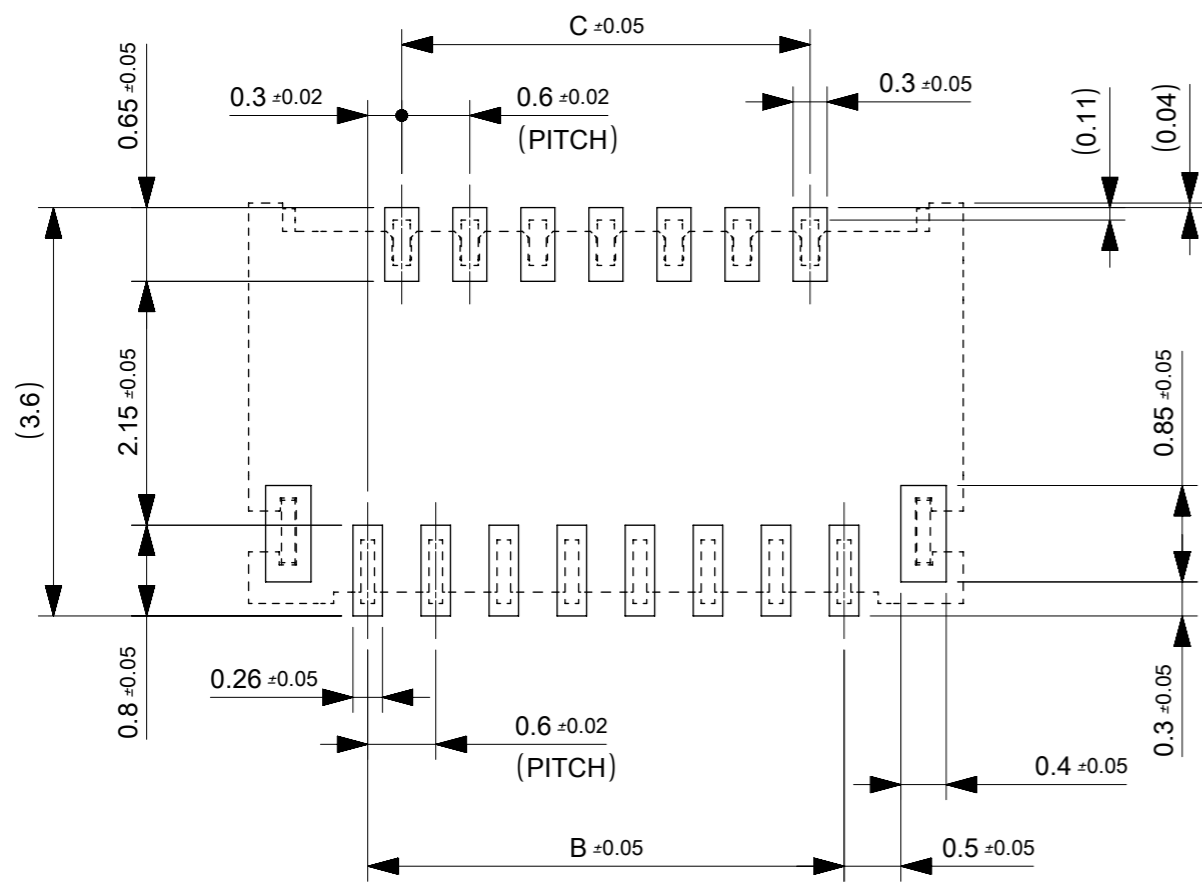
挿入位置確認用耳つき FPC  
WITH EARS FOR FPC INSERTION ALIGNMENT

嵌合 FPC 推奨寸法  
APPLICABLE FPC  
RECOMMENDED DIMENSION  
(仕上がり厚さ : 0.2 ± 0.03)  
(THICKNESS: 0.2 ± 0.03)

FPCについて：  
抜き方向は、導体側から補強板側を推奨致します。  
補強フィルム材質は、ポリイミドを推奨致します。  
接着剤は熱硬化接着剤を推奨します。  
尚、接着剤の接点部への付着は導通不良の原因になりますので、  
染み出しが無い様、お願い致します。

ABOUT FPC:  
RECOMMENDED PUNCHER DIRECTION:  
FROM CONDUCTOR SIDE TO STIFFNER FILM SIDE.  
RECOMMENDED MATERIAL:  
STIFFENER FILM : POLYIMIDE  
BONDING AGENT : THERMOSETTING AGENT  
PLEASE PUT APPROPRIATE AMOUNT OF ADHESIVE ON ADHEREND  
BECAUSE THERE IS A POSSIBILITY THAT THE EXTRA ADHESIVE  
CAUSES THE DEFECT IN ELECTRICAL CONTINUITY.

THIS DRAWING CONTAINS INFORMATION THAT IS PROPRIETARY TO MOLEX ELECTRONIC TECHNOLOGIES, LLC AND SHOULD NOT BE USED WITHOUT WRITTEN PERMISSION												
EC NO: 104567 DRWN: RLALSANGI CHK'D: KTAKAHASHI APPR: TKUSUHARA01	2016/01/22	GENERAL TOLERANCES (UNLESS SPECIFIED) ANGULAR TOL ± 3.0 ° 4 PLACES ± 0.2 3 PLACES ± 0.2 2 PLACES ± 0.25 1 PLACE ± 0.3 0 PLACES ± 0.3	DIMENSION UNITS	MM	SCALE	10:1						
	2016/05/09		DRWN BY	RLALSANGI	DATE	2016/01/22						
	2016/05/09		CHK'D BY	KTAKAHASHI	DATE	2016/05/09	0.3 FPC CONN E/O B/F HSG ASSY HGT=0.9MM					
			APPR BY	TKUSUHARA01	DATE	2016/05/09						
			DRAWING SIZE	A3	THIRD ANGLE PROJECTION	PRODUCT CUSTOMER DRAWING						
				SERIES	502250	MATERIAL NUMBER	SEE CHART	CUSTOMER	GENERAL MARKET			
				DOCUMENT NUMBER	5022501000		DOC TYPE	PSD	DOC PART	000	SHEET NUMBER	2 OF 3



推奨基板レイアウト図(マウント面)  
P.C BOARD PATTERN  
RECOMMENDED DIMENSION  
(MOUNTING AREA)

推奨メタルマスク開口率について  
開口率 : 推奨パターン面積の100%  
ABOUT METAL MASK SPECIFICATION  
RECOMMEND APERTURE RATE : 100%

注記 NOTES

- 使用材料 MATERIAL  
ハウジング : 液晶ポリマー ガラス充填 UL94V-0 ( ナチュラル )  
HOUSING : LIQUID CRYSTAL POLYMER (GLASS FILLED)  
UL94V-0(COLOR:NATURAL)  
アクチュエータ : ポリフェニレンサルファイド ガラス充填 UL94V-0 ( 黒 )  
ACTUATOR : POLYPHENYLENE SULFIDE (GLASS FILLED)  
UL94V-0(COLOR:BLACK)  
ターミナル : 銅合金,ニッケル下地部分金メッキ ( 接触部及びテール部 )  
TERMINAL : COPPER ALLOY,  
PARTLY GOLD(CONTACT,TAIL) OVER NICKEL PLATING  
ネイル : リン青銅,ニッケル下地錫めっき  
FITTING NAIL : PHOSPHOR-BRONZE, TIN OVER NICKEL PLATING
- ソルダーテール半田付け面,及びネイル半田付け面の平坦度 : 0.1mmMAX.  
COPLANARITY OF SOLDER TAILS AND FITTING NAILS  
TO BE 0.1mm MAX.
- 基板実装前にアクチュエータを操作しないで下さい。  
PLEASE DO NOT OPERATE THE ACTUATOR BEFORE MOUNTING.  
必ず基板に実装し,FPCを挿入してからアクチュエータを操作して下さい。  
PLEASE OPERATE THE ACTUATOR AFTER MOUNTING ON  
THE SUBSTRATE,AND MATING FPC.
- 推奨メタルマスク RECOMMENDED METAL MASK SPECIFICATION  
マスク厚 : 0.1mm MASK THICKNESS : 0.1mm  
なお,貴社にて上記以外でご使用頂く場合は,事前に確認頂きますようお願い致します。  
WHEN USE IT OTHER THAN THE ABOVE IN YOUR COMPANY,  
PLEASE CONFIRM IT BEFOREHAND.
- ELV 及び RoHS適合品  
ELV AND RoHS COMPLIANT.

THIS DRAWING CONTAINS INFORMATION THAT IS PROPRIETARY TO MOLEX ELECTRONIC TECHNOLOGIES, LLC AND SHOULD NOT BE USED WITHOUT WRITTEN PERMISSION											
EC NO: 104567 DRWN: RLALSANGI CHK'D: KTAKAHASHI APPR: TKUSUHARA01	2016/01/22		GENERAL TOLERANCES (UNLESS SPECIFIED)		DIMENSION UNITS	SCALE					
	2016/05/09		ANGULAR TOL ± 3.0 °		MM	10:1					
	2016/05/09		4 PLACES ± 0.2		DRWN BY	DATE	<b>0.3 FPC CONN E/O B/F HSG ASSY HGT=0.9MM</b>				
			3 PLACES ± 0.2		RLALSANGI	2016/01/22					
			2 PLACES ± 0.25		CHK'D BY	DATE					
			1 PLACE ± 0.3		KTAKAHASHI	2016/05/09	SERIES				
		0 PLACES ± 0.3		APPR BY	DATE	502250		MATERIAL NUMBER		CUSTOMER	
		DRAFT WHERE APPLICABLE MUST REMAIN WITHIN DIMENSIONS		TKUSUHARA01	2016/05/09	SEE CHART		GENERAL MARKET			
A		REV		DRAWING SIZE		THIRD ANGLE PROJECTION		DOCUMENT NUMBER		DOC TYPE	
				A3				5022501000		PSD	
								DOC PART		SHEET NUMBER	
								000		3 OF 3	