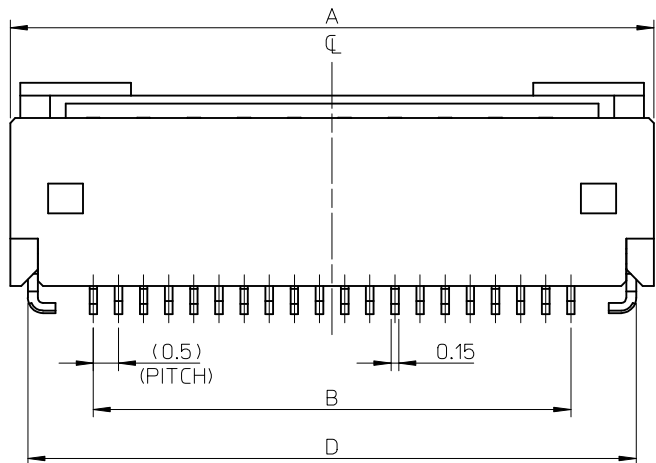
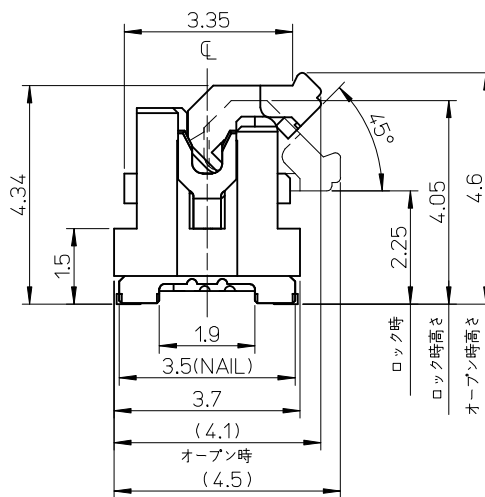


断面図 (参考)



注記 NOTES

- 使用材料 MATERIAL
 - ハウジング : 液晶ポリマー ガラス充填, UL94V-0(白)
 - HOUSING : LIQUID CRYSTAL POLYMER GLASS FILLED, UL94V-0 (WHITE)
 - アクチュエータ : ポリアミド 9T, ガラス充填, UL94V-0(茶)
 - ACTUATOR : POLYAMIDE 9T, GLASS FILLED, UL94V-0 (BROWN)
 - ターミナル : 銅合金(t=0.15)
 - TERMINAL : COPPER ALLOY
 - 金具 : 銅合金(t=0.2)
 - FITTING NAIL : COPPER ALLOY
 - めっき仕様 PLATING
 - ターミナル TERMINAL
 - ニッケル下地銅ビスマスめっき
 - 銅ビスマスめっき(1.0μm以上)
 - ニッケルめっき(1.0μm以上)
 - TIN BISMUTH(SnBi) OVER NICKEL(Ni) PLATING.
 - TIN BISMUTH(SnBi) PLATING (1.0 MICROMETER MINIMUM)
 - NICKEL PLATING (1.0 MICROMETER MINIMUM)
 - 金具 FITTING NAIL
 - ニッケル下地銅めっき
 - 銅めっき(1.0μm以上)
 - ニッケルめっき(1.0μm以上)
 - TIN(Sn) OVER NICKEL(Ni) PLATING.
 - TIN PLATING (1.0 MICROMETER MINIMUM)
 - NICKEL PLATING (1.0 MICROMETER MINIMUM)
 - テールと金具を併せた平坦度は 0.1ミリメートル以下
TAILS AND NAILS COPLANARITY TO BE 0.1 MAX.
 - ELV及びRoHS適合品
ELV AND RoHS COMPLIANT
- △ R0.3は、FPC導体部にかからないこと。
R0.3 MUST NOT BE OVERLAPPED TO PATTERN OF FPC.

8	30.7	32.1	32.4	29.5	32.8	501951-6009	60
	25.7	27.1	27.4	24.5	27.8	501951-5009	50
	23.2	24.6	24.9	22	25.3	501951-4509	45
	20.7	22.1	22.4	19.5	22.8	501951-4009	40
	16.7	18.1	18.4	15.5	18.8	501951-3209	32
	15.7	17.1	17.4	14.5	17.8	501951-3009	30
	12.7	14.1	14.4	11.5	14.8	501951-2409	24
	11.7	13.1	13.4	10.5	13.8	501951-2209	22
F	E	D	C	B	A	MATERIAL NO.	CIRCUITS

REVISED EC NO: J2015-0506 DRW: NINASUNUMA 2014/10/24 CHKD: TAKAHASHI 2014/11/10 APPR: YNOGAWA 2014/11/13	DESCRIPTION	GENERAL TOLERANCES (UNLESS SPECIFIED)		DIMENSION STYLE	SCALE	DESIGN UNITS	THIRD ANGLE PROJECTION	
				MM ONLY	10:1	METRIC		
		10 UNDER	± 0.2	DRAWN BY	DATE	TITLE		0.5 FPC CONN. HSG ASSY EASY ON / STRAIGHT (TIN-BISMUTH) molex
		10 OVER 30 UNDER	± 0.25	TRSUZUKI	2005/12/05	SD-501951-001		
30 OVER	± 0.3	CHECKED BY	DATE	SHEET NO.				
ANGULAR	± 1 °	HHIRATA	2005/12/05	1 OF 2				
DRAFT WHERE APPLICABLE MUST REMAIN WITHIN DIMENSIONS		APPROVED BY	DATE	MATERIAL NO.	DOCUMENT NO.			
		MSASAO	2005/12/05	SEE CHART				
		THIS DRAWING CONTAINS INFORMATION THAT IS PROPRIETARY TO MOLEX INCORPORATED AND SHOULD NOT BE USED WITHOUT WRITTEN PERMISSION						

10 9 8 7 6 5 4 3 2 1

F

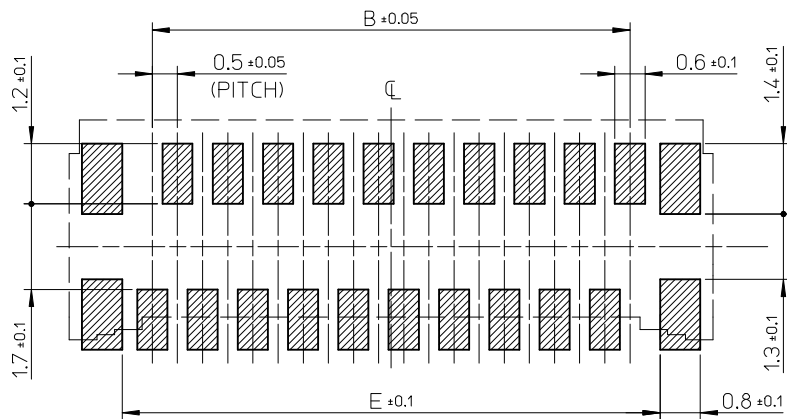
E

D

C

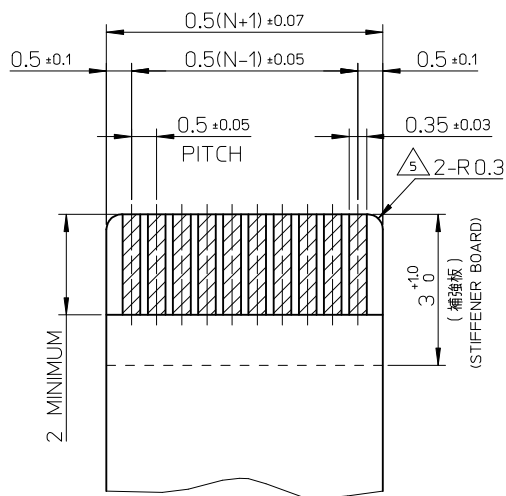
B

A

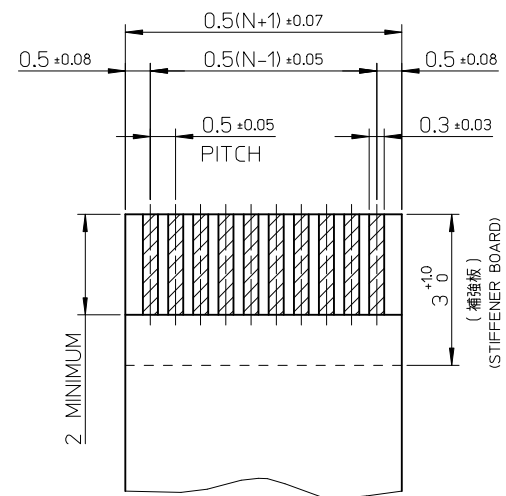


参考基板レイアウト (マウント面)

P.C.BOARD PATTERN DIMENSION(REF.)
(MOUNT AREA)



適合FPC推奨寸法
APPLICABLE FPC
RECOMMENDED DIMENSION
(仕上がり厚さ: 0.3 ± 0.03)
(THICKNESS: 0.3 ± 0.03)



適合FFC推奨寸法
APPLICABLE FFC
RECOMMENDED DIMENSION
(仕上がり厚さ: 0.3 ± 0.03)
(THICKNESS: 0.3 ± 0.03)

FPCについて:

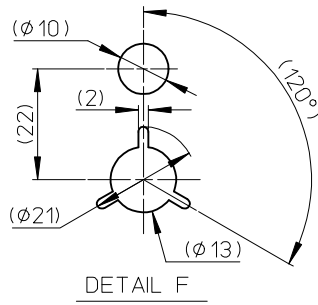
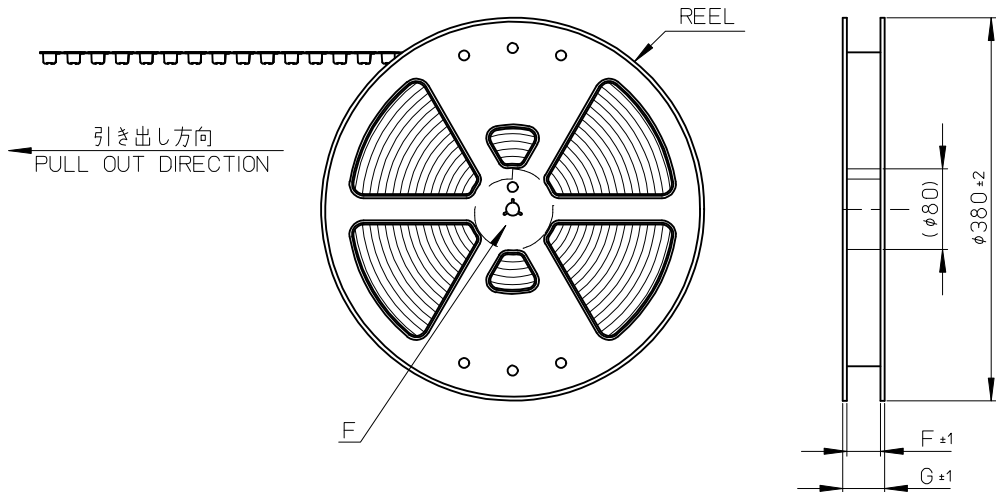
- 打抜き方向は導体側から補強板側を推奨致します。
- 補強フィルム材質はポリイミドを推奨致します。
- 接着剤は熱硬化接着剤を推奨致します。

ABOUT FPC:

- RECOMMENDED PUNCHER DIRECTION:
FROM CONDUCTOR SIDE TO STIFFENER BOARD SIDE.
- RECOMMENDED MATERIAL:
STIFFENER FILM: POLYIMIDE
BONDING AGENT: THERMOSETTING BONDING AGENT

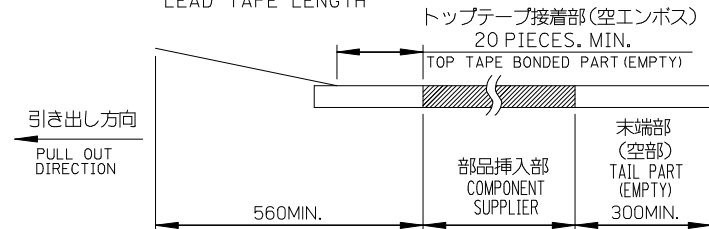
SEE SHEET 1 OF 2 EC NO: J2015-0506 DRAWN: IDRM/NASUNUMA 2014/10/21 CHECKED: CHKD/KTAKAHASHI 2014/11/10 APPR: YNDGAWA 2014/11/13	GENERAL TOLERANCES (UNLESS SPECIFIED)		DIMENSION STYLE MM ONLY		SCALE 10:1	DESIGN UNITS METRIC	THIRD ANGLE PROJECTION
	10 UNDER	± 0.2	DRAWN BY TRSUZUKI	DATE 2005/12/05	TITLE 0.5 FPC CONN. HSG ASSY EASY ON / STRAIGHT (TIN-BISMUTH)		
	10 OVER 30 UNDER	± 0.25	CHECKED BY HIRATA	DATE 2005/12/05			
	30 OVER	± 0.3	APPROVED BY MSASAO	DATE 2005/12/05			
ANGULAR	± 1 °	MATERIAL NO. SEE SHEET 1 OF 2	DOCUMENT NO. SD-501951-001	SHEET NO. 2 OF 2			
DRAFT WHERE APPLICABLE MUST REMAIN WITHIN DIMENSIONS		SIZE A3	THIS DRAWING CONTAINS INFORMATION THAT IS PROPRIETARY TO MOLEX INCORPORATED AND SHOULD NOT BE USED WITHOUT WRITTEN PERMISSION				

9 8 7 6 5 4 3 2



NOTES

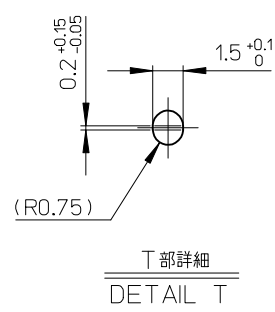
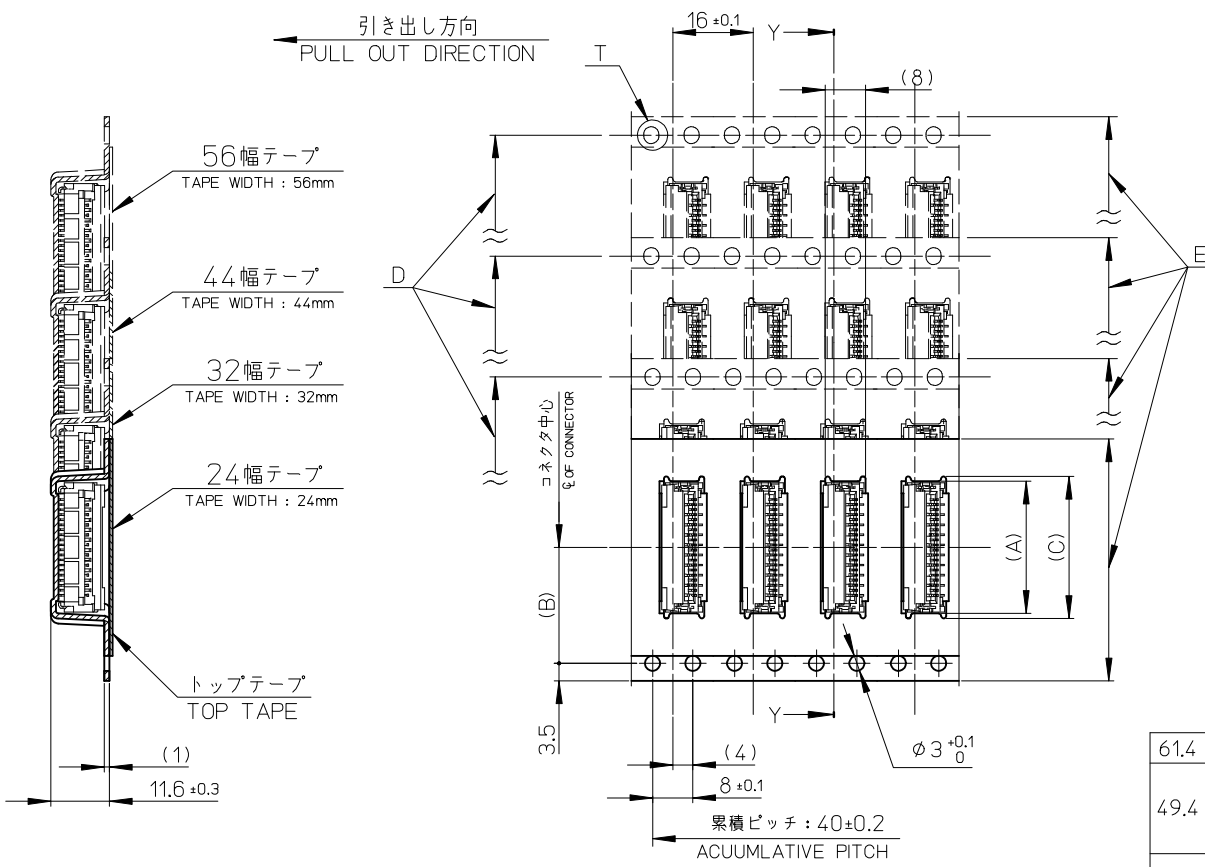
- 製品詳細寸法については SD-501951-001 を参照ください。
RE DETAILED DIMENSION, SEE SD-501951-001
- 梱包数量：2000 個/リール
NUMBER OF CONNECTORS : 2000 PIECES/REEL
- リードテープ長さ
LEAD TAPE LENGTH



- 材料
MATERIAL
キャリアテープ：ポリプロピレン (PP)
CARRIER TAPE: POLYPROPYLENE (PP)
トップテープ：PET, PE, REF
TOP TAPE
リール：ポリスチレン (リサイクル材を含む)
REEL : POLYSTYRENE (RECYCLE MATERIAL CONTAINED)

- ELV 及び RoHS 適合品
ELV AND RoHS COMPLIANT.

REVISED EC NO: J2015-0506 DRWN: SANUMA 2014/10/21 CHKD: TAKAHASHI 2014/11/10 APPR: YNOGAWA 2014/11/13	GENERAL TOLERANCES (UNLESS SPECIFIED)		DIMENSION STYLE MM ONLY	SCALE ---	DESIGN UNITS METRIC	THIRD ANGLE PROJECTION
	10 UNDER	± 0.2	DRAWN BY TRSUZUKI	DATE 2005/12/05	TITLE 0.5 FPC CONN. HSG ASSY E/O STRAIGHT EMBSTP PKG (TIN-BISMUTH)	
	10 OVER 30 UNDER	± 0.25	CHECKED BY HHIRATA	DATE 2005/12/05		
	30 OVER	± 0.3	APPROVED BY MSASAO	DATE 2005/12/05		
ANGULAR	$\pm 1^\circ$	MATERIAL NO. SEE SHEET 2 OF 2	DOCUMENT NO. SD-501951-002		SHEET NO. 1 OF 2	
DRAFT WHERE APPLICABLE MUST REMAIN WITHIN DIMENSIONS		SIZE A3	THIS DRAWING CONTAINS INFORMATION THAT IS PROPRIETARY TO MOLEX INCORPORATED AND SHOULD NOT BE USED WITHOUT WRITTEN PERMISSION			



61.4	57.4	56±0.3	52.4	34.1	26.2	33.1	501951-6000	60
				29.1		28.1	501951-5000	50
49.4	45.4	44±0.3	40.4	26.6	20.2	25.6	501951-4500	45
				24.1		23.1	501951-4000	40
				20.1		19.1	501951-3200	32
37.4	33.4	32±0.3	28.4	19.1	14.2	18.1	501951-3000	30
				16.1		15.1	501951-2400	24
29.4	25.4	24±0.3	∅	15.1	11.5	14.1	501951-2200	22
G	F	E キャリアテープ幅 CARRIER TAPE WIDTH	D	(C)	(B)	(A)	製品番号 MATERIAL NO.	極数 CIRCUITS

断面 Y-Y
SECTION Y-Y

SEE SHEET 1 OF 2 EC NO: J2015-0506 DRWN: SANUMA 2014/10/21 CHKD: TAKAHASHI 2014/11/10 APPR: YNOGAWA 2014/11/13	GENERAL TOLERANCES (UNLESS SPECIFIED)		DIMENSION STYLE MM ONLY		SCALE ---	DESIGN UNITS METRIC	THIRD ANGLE PROJECTION	
	10 UNDER	±0.2	DRAWN BY TRSUZUKI	DATE 2005/12/05	TITLE 0.5 FPC CONN. HSG ASSY E/O STRAIGHT EMBSTP PKG (TIN-BISMUTH) molex DOCUMENT NO. SD-501951-002 SHEET NO. 2 OF 2			
	10 OVER 30 UNDER	±0.25	CHECKED BY HHRATA	DATE 2005/12/05				
	30 OVER	±0.3	APPROVED BY MSASAO	DATE 2005/12/05				
ANGULAR ±1 °		DRAFT WHERE APPLICABLE MUST REMAIN WITHIN DIMENSIONS		MATERIAL NO. SEE CHART				
		SIZE A3		THIS DRAWING CONTAINS INFORMATION THAT IS PROPRIETARY TO MOLEX INCORPORATED AND SHOULD NOT BE USED WITHOUT WRITTEN PERMISSION				