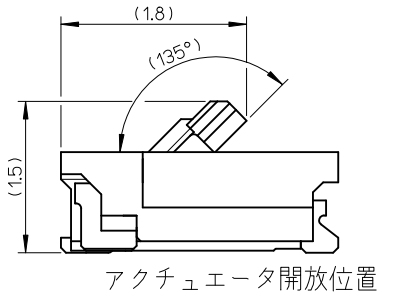
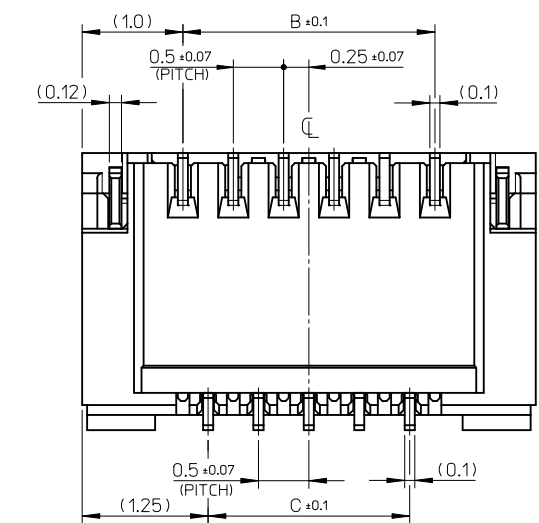
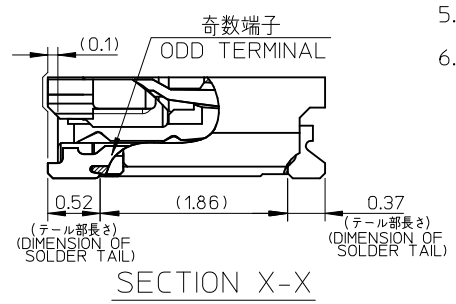
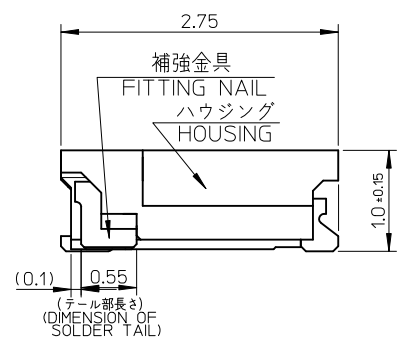
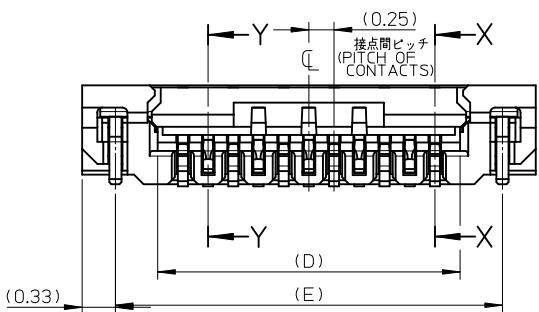


注記 NOTES

1. 使用材料 MATERIALS
  - ハウジング : 耐熱性樹脂(UL94V-0、ベージュ)
  - アクチュエータ : 耐熱性樹脂(UL94HB、黒色)
  - 奇数端子 : 銅合金、ニッケル下地、金メッキ
  - 偶数端子 : 銅合金、ニッケル下地、金メッキ
  - 補強金具 : 銅合金、ニッケル下地、スズメッキ
  - HOUSING : G.F. HEAT RESISTANCE PLASTIC (BEIGE)
  - ACTUATOR : G.F. HEAT RESISTANCE PLASTIC (BLACK)
  - ODD TERMINAL : COPPER ALLOY, Gold OVER Nickel PLATING
  - EVEN TERMINAL : COPPER ALLOY, Gold OVER Nickel PLATING
  - FITTING NAIL : COPPER ALLOY, Tin OVER Nickel PLATING
- △ 端子、補強金具のコプラナリティーは 0.1 以下とする  
COPLANARITY OF SOLDER TAILS AND FITTING NAILS : 0.1MAX.
3. 一般公差: ±0.3  
GENERAL TOLERANCES: ±0.3
- △ アクチュエータの図示箇所にゲート逃げの凹みがあります  
THERE ARE DENT SHAPES AT ACTUATOR FOR MOLDING GATE
5. ELV 及び RoHS 適合品  
ELV AND ROHS COMPLIANT
6. 塩素系・臭素系難燃剤非使用  
CHLORINATED AND BROMINATED FLAME RETARDANTS FREE



アクチュエータ開放位置  
ACTUATOR OPENING POSITION

13.84	13	12	12.5	14.5	502078-5110	502078-5118	51
10.84	10	9	9.5	11.5	502078-3910	502078-3918	39
9.34	8.5	7.5	8	10	502078-3310	502078-3318	33
7.34	6.5	5.5	6	8	502078-2510	502078-2518	25
6.34	5.5	4.5	5	7	502078-2110	502078-2118	21
5.34	4.5	3.5	4	6	502078-1710	502078-1718	17
E	D	C	B	A	ORDER NO.	MATERIAL NO.	CKT.=N

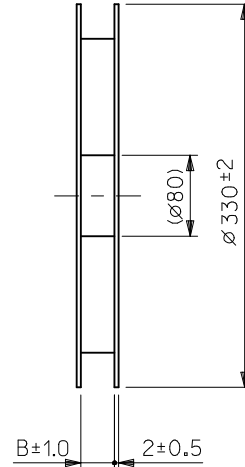
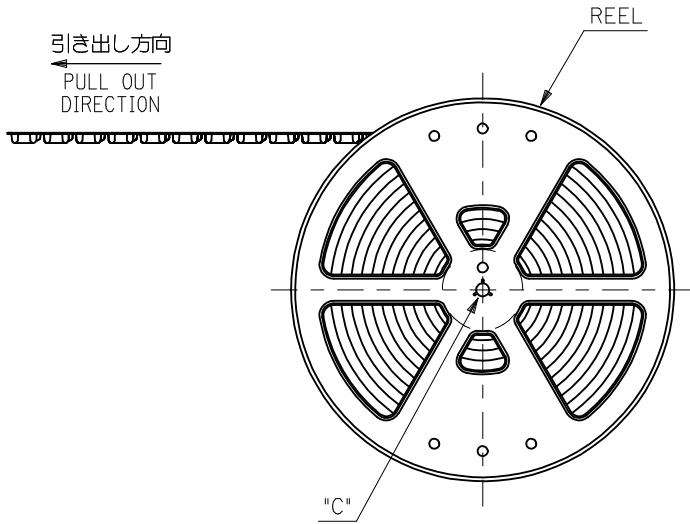
REVISED EC NO: J2012-0409 DRAWN: TANAKA 2011/09/21 CHKD: APPR: SHOSHIKAWA 2011/09/30	DESCRIPTION	GENERAL TOLERANCES (UNLESS SPECIFIED)		DIMENSION STYLE	SCALE	DESIGN UNITS	THIRD ANGLE PROJECTION	
				MM ONLY	20:1	METRIC	◎ □	
		10 UNDER	± ---	DRAWN BY	DATE	TITLE		0.25 PITCH FPC CONN E/O HGT=1.0 BTM CONTACT TYPE
		10 OVER 30 UNDER	± ---	YFUJITA	2008/12/15			
30 OVER	± ---	CHECKED BY	DATE	MOLEX INCORPORATED		DOCUMENT NO. SD-502078-003		
ANGULAR	±1 °	TKANEKO	2008/12/15	MATERIAL NO.			SHEET NO. 1 OF 2	
DRAFT WHERE APPLICABLE MUST REMAIN WITHIN DIMENSIONS		SEE CHART		THIS DRAWING CONTAINS INFORMATION THAT IS PROPRIETARY TO MOLEX INCORPORATED AND SHOULD NOT BE USED WITHOUT WRITTEN PERMISSION				



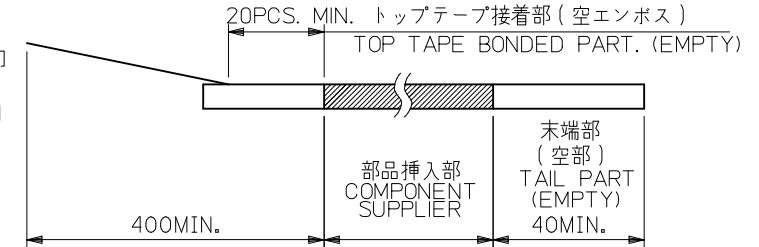
注記 NOTES

- 製品詳細寸法については図面 SD-502078-003 を参照下さい。  
RE DETAILED DIMENSION, SEE SD-502078-003
- 梱包数量：3000 個/リール  
NUMBER OF CONNECTORS : 3000 PCS/REEL
- リードテープ長さ LEAD TAPE LENGTH

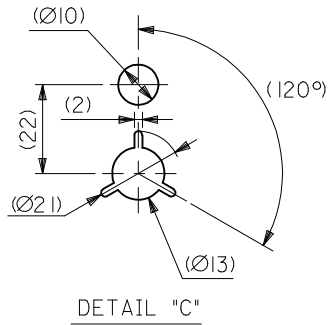
引き出し方向  
PULL OUT  
DIRECTION



引き出し方向  
PULL OUT  
DIRECTION

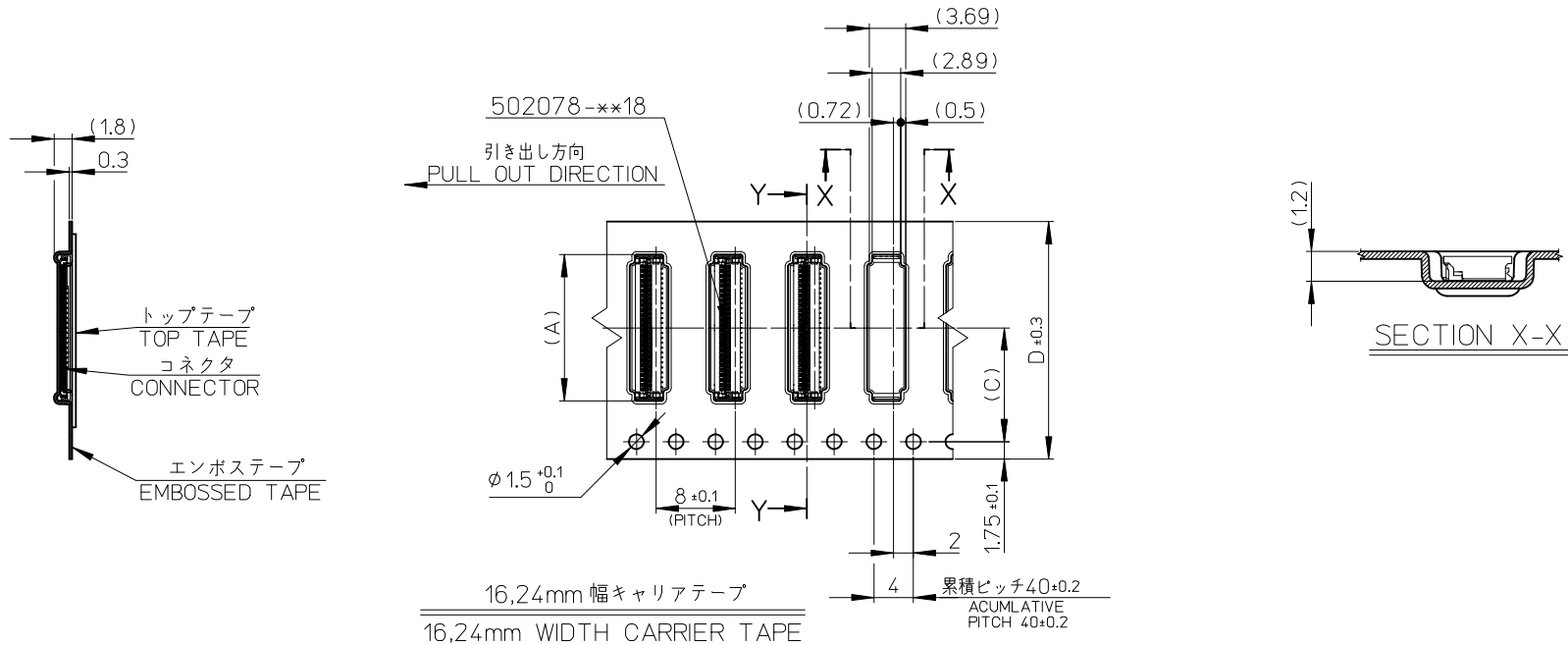


- 材料 MATERIAL  
キャリアテープ (CARRIER TAPE) : ポリスチレン (POLYSTYRENE)  
トップテープ (TOP TAPE) : PET, PE, PEF  
リール (REEL) : ポリスチレン (PS) <リサイクル材を含む>  
POLYSTYRENE (PS) <RECYCLE MATERIAL CONTAINED>



DETAIL "C"

RELEASED EC NO.: J2009-1529 DRWN: YFUJITA 2008/12/15 CHKD: TKANEKO 2008/12/15 APPR: TKANEKO 2008/12/15	GENERAL TOLERANCES (UNLESS SPECIFIED)		DIMENSION STYLE MM ONLY		SCALE 1:1	DESIGN UNITS METRIC	MODEL NO.   502078-**10
	10 UNDER	±0.2	DRAWN BY YFUJITA	DATE 2008/12/15	TITLE 0.25 FPC CONN E/O HSG ASSY EMBOSSED TAPE PACKAGE		
	10 OVER 30 UNDER	±0.25	CHECKED BY TKANEKO	DATE 2008/12/15			
	30 OVER	±0.3	APPROVED BY AHORINO	DATE 2008/12/15	MOLEX INCORPORATED		
	ANGULAR ±1 °		MATERIAL NO. SEE CHART				
DRAFT WHERE APPLICABLE MUST REMAIN WITHIN DIMENSIONS		THIS DRAWING CONTAINS INFORMATION THAT IS PROPRIETARY TO MOLEX INCORPORATED AND SHOULD NOT BE USED WITHOUT WRITTEN PERMISSION					



24	11.5	25.4	14.8	502078-5110	51
			11.8	502078-3910	39
			10.3	502078-3310	33
			8.3	502078-2510	25
			7.3	502078-2110	21
16	7.5	17.4	6.3	502078-1710	17
D キャリアテープ幅 CARRIER TAPE WIDTH	C	B	(A)	製品番号 MATERIAL NO.	極数 CKT.
MODEL NO.			502078-**-10		

RELEASED EC NO: J2009-1529 DRWN: YFUJITA 2008/12/15 CHKD: TKANEKO 2008/12/15 APPR: TKANEKO 2008/12/15 REV: 0	DESCRIPTION GENERAL TOLERANCES (UNLESS SPECIFIED) 10 UNDER ±0.2 10 OVER 30 UNDER ±0.25 30 OVER ±0.3 ANGULAR ±1 ° DRAFT WHERE APPLICABLE MUST REMAIN WITHIN DIMENSIONS	DIMENSION STYLE MM ONLY		SCALE	DESIGN UNITS	TITLE 0.25MM FPC CONN E/O HSG ASSY EMBOSSED TAPE PACKAGE MOLEX INCORPORATED DOCUMENT NO. SD-502078-004 SHEET NO. 2 OF 2	
		DRAWN BY DATE		1:1	METRIC		THIRD ANGLE PROJECTION
		YFUJITA 2008/12/15		TITLED			
		CHECKED BY DATE		MOLEX			
		TKANEKO 2008/12/15		SEE CHART			
APPROVED BY DATE		MATERIAL NO.		SD-502078-004			
AHORINO 2008/12/15		SEE CHART		SD-502078-004			
MATERIAL NO.		SEE CHART		SD-502078-004			
SIZE		A3		THIS DRAWING CONTAINS INFORMATION THAT IS PROPRIETARY TO MOLEX INCORPORATED AND SHOULD NOT BE USED WITHOUT WRITTEN PERMISSION			