

10 9 8 7 6 5 4 3 2 1

NOTES :

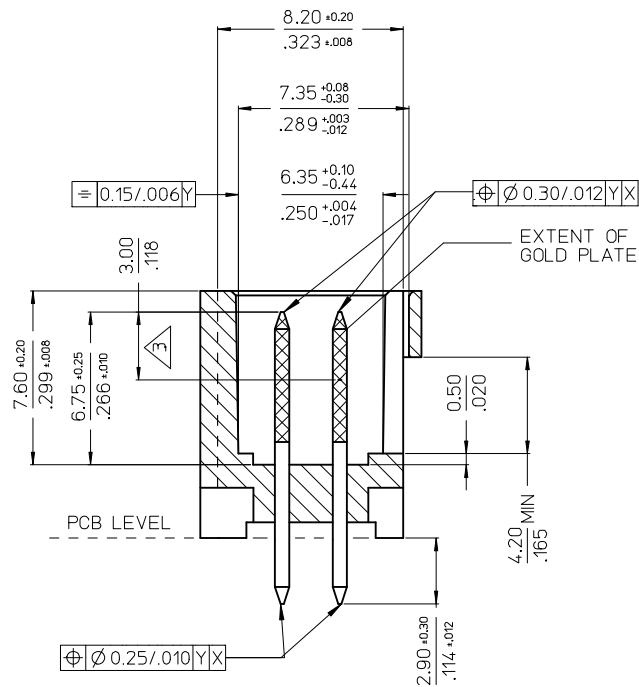
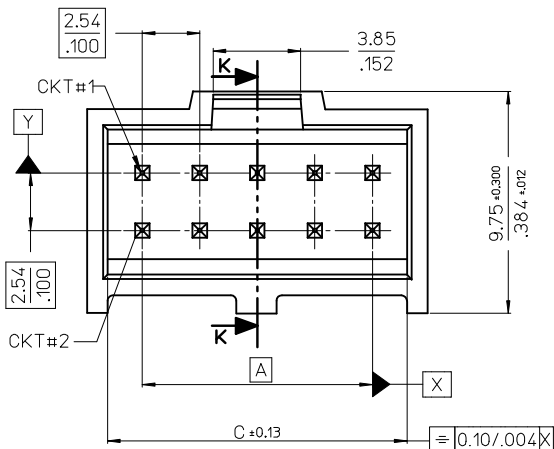
- MATERIAL:-
 - PIN:- (0.65)/.0255 SQ. BRASS WIRE.
 - HOUSING:- 15% GLASS FILLED POLYESTER
 - UL 94 V-0 COLOUR BLACK

- FOR PLATING VERSIONS AND VOID VERSIONS SEE SHEET 2.

△ MEASUREMENT POINT FOR MINIMUM PLATING THICKNESS.

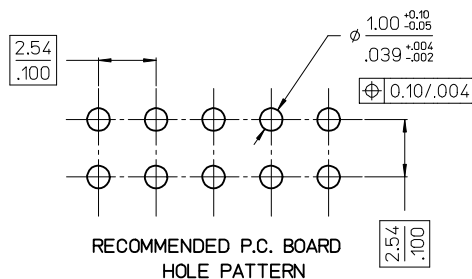
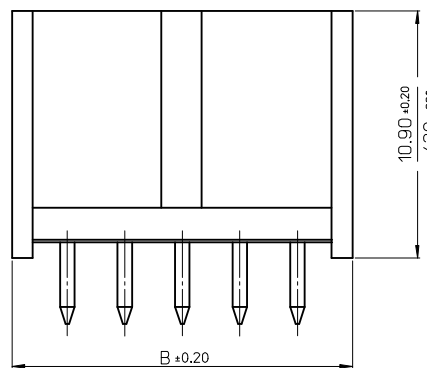
- FOR PRODUCT SPEC SEE PS-99020-0001

- RECOMMENDED PCB THICKNESS: 1.60mm



SECTION K-K

CKT	DIM A	DIM B	DIM C
6	(5.08)/.200	(9.96)/.392	(8.12)/.320
8	(7.62)/.300	(12.50)/.492	(10.66)/.420
10	(10.16)/.400	(15.04)/.592	(13.20)/.520
12	(12.70)/.500	(17.58)/.692	(15.74)/.620
14	(15.24)/.600	(20.12)/.792	(18.28)/.720
16	(17.78)/.700	(22.66)/.892	(20.82)/.820
18	(20.32)/.800	(25.20)/.992	(23.36)/.920
20	(22.86)/.900	(27.74)/.1092	(25.90)/.1020
22	(25.40)/.1000	(30.28)/.1192	(28.44)/.1120
24	(27.94)/.1100	(32.82)/.1292	(30.98)/.1220
26	(30.48)/.1200	(35.36)/.1392	(33.52)/.1320
28	(33.02)/.1300	(37.90)/.1492	(36.06)/.1420
30	(35.56)/.1400	(40.44)/.1592	(38.60)/.1520
32	(38.10)/.1500	(42.98)/.1692	(41.15)/.1620
34	(40.64)/.1600	(45.52)/.1792	(43.68)/.1720
36	(43.18)/.1700	(48.06)/.1892	(46.22)/.1820
38	(45.72)/.1800	(50.60)/.1992	(48.76)/.1920
40	(48.26)/.1900	(53.14)/.2092	(51.30)/.2020
42	(50.80)/.2000	(55.68)/.2192	(53.84)/.2120
44	(53.34)/.2100	(58.22)/.2292	(56.38)/.2220
46	(55.88)/.2200	(60.76)/.2392	(58.92)/.2320
48	(58.42)/.2300	(63.30)/.2492	(61.46)/.2420
50	(60.96)/.2400	(65.84)/.2592	(64.00)/.2520
52	(63.50)/.2500	(68.38)/.2692	(66.54)/.2620
54	(66.04)/.2600	(70.92)/.2792	(69.08)/.2720
56	(68.58)/.2700	(73.46)/.2892	(71.62)/.2820
58	(71.12)/.2800	(76.00)/.2992	(74.16)/.2920
60	(73.66)/.2900	(78.54)/.3092	(76.70)/.3020
62	(76.20)/.3000	(81.08)/.3192	(79.24)/.3120
64	(78.74)/.3100	(83.62)/.3292	(81.78)/.3220
66	(81.28)/.3200	(86.16)/.3392	(84.32)/.3320
68	(83.82)/.3300	(88.70)/.3492	(86.86)/.3420



ADD DATUMS EC NO: S2015-0152 DRWN:ATSEE CHKD:FANNYONG APPR:LBLEE	2014/08/18	2014/08/18	2014/08/19
	2014/08/18	2014/08/18	2014/08/19
	2014/08/18	2014/08/18	2014/08/19
	2014/08/18	2014/08/18	2014/08/19
CA2	REV	DESCRIPTION	QUALITY SYMBOLS
			$F_A=0$ $F_E=0$ $F_B=0$

GENERAL TOLERANCES (UNLESS SPECIFIED)	
mm	INCH
4 PLACES ± ---	± ---
3 PLACES ± ---	± .004
2 PLACES ± 0.10	± ---
1 PLACE ± ---	± ---
ANGULAR ±1/2°	
DRAFT WHERE APPLICABLE MUST REMAIN WITHIN DIMENSIONS	

DIMENSION STYLE	
MM/IN	
DRAWN BY	DATE
KS	1988/08/23
CHECKED BY	DATE
ATSEE	2010/02/11
APPROVED BY	DATE
MLONG	2010/02/19
MATERIAL NO.	
SEE TABLE	

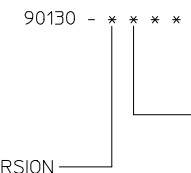
SCALE	DESIGN UNITS	THIRD ANGLE PROJECTION
NTS	INCH	
TITLE		
C-GRID III DUAL ROW STRAIGHT SHROUDED HEADER		
MOLEX INCORPORATED		
DOCUMENT NO.	SHEET NO.	
SDA-90130	1 OF 4	
THIS DRAWING CONTAINS INFORMATION THAT IS PROPRIETARY TO MOLEX INCORPORATED AND SHOULD NOT BE USED WITHOUT WRITTEN PERMISSION		

9 8 7 6 5 4 3 2 1

VERSION FULLY LOADED

NOTES :
 1. FOR ASSEMBLY, SEE SHEET 1.
 2. REFER TO LEGEND FOR PLATING OPTIONS.

NO OF CKTS	HSG CKT SIZE	PART NUMBER			
		PLATING TYPE A	PLATING TYPE E	PLATING TYPE F	PLATING TYPE G
6	6	90130-X106	90130-X206	90130-X306	90130-X406
8	8	X108	X208	X308	X408
10	10	X110	X210	X310	X410
12	12	X112	X212	X312	X412
14	14	X114	X214	X314	X414
16	16	X116	X216	X316	X416
18	18	X118	X218	X318	X418
20	20	X120	X220	X320	X420
22	22	X122	X222	X322	X422
24	24	X124	X224	X324	X424
26	26	X126	X226	X326	X426
28	28	X128	X228	X328	X428
30	30	X130	X230	X330	X430
32	32	X132	X232	X332	X432
34	34	X134	X234	X334	X434
36	36	X136	X236	X336	X436
38	38	X138	X238	X338	X438
40	40	X140	X240	X340	X440
42	42	X142	X242	X342	X442
44	44	X144	X244	X344	X444
46	46	X146	X246	X346	X446
48	48	X148	X248	X348	X448
50	50	X150	X250	X350	X450
52	52	X152	X252	X352	X452
54	54	X154	X254	X354	X454
56	56	X156	X256	X356	X456
58	58	X158	X258	X358	X458
60	60	X160	X260	X360	X460
62	62	X162	X262	X362	X462
64	64	X164	X264	X364	X464
66	66	X166	X266	X366	X466
68	68	90130-X168	90130-X268	90130-X368	90130-X468



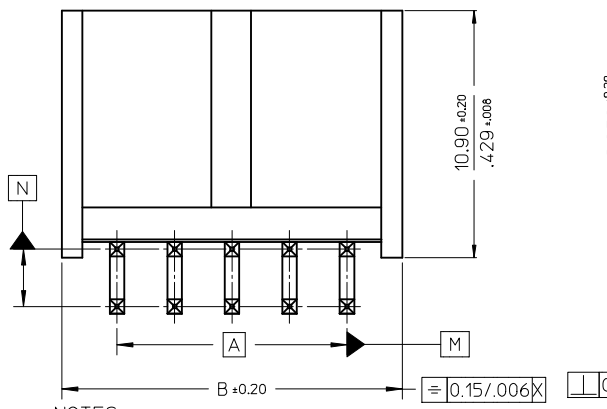
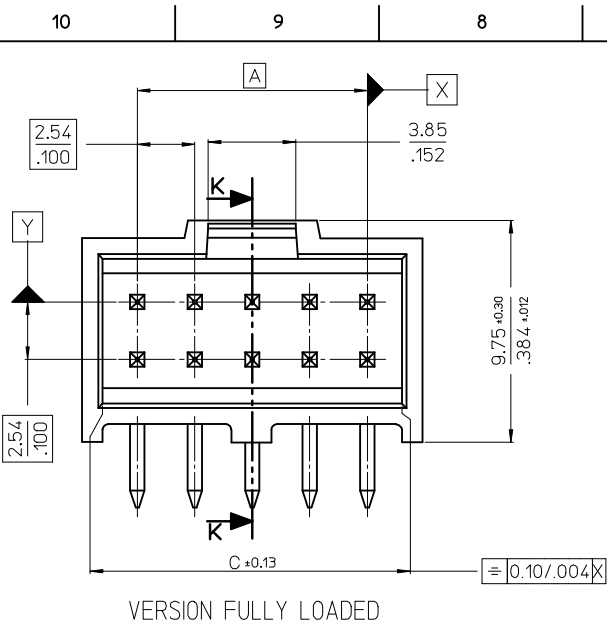
STYLE: - 1. STRAIGHT PIN VERSION
 8. VERSION WITH VOIDS

- 1 - TYPE A:
3.04µm MIN. TIN OVER 1.27µm - 2.54µm NICKEL.
- 2 - TYPE E:
0.38µm MIN. GOLD IN SELECTED AREA & 3.04µm MIN. TIN IN SELECTED AREA OVER 1.3µm MIN. NICKEL OVERALL.
- 3 - TYPE F:
0.76µm MIN. GOLD IN SELECTED AREA. & 3.04µm MIN. TIN IN SELECTED AREA OVER 1.3µm MIN. NICKEL OVERALL.
- 4 - TYPE G:
0.05 -0.10µm GOLD FLASH IN SELECTED AREA & 3.04µm MIN. TIN IN SELECTED AREA OVER 1.3µm MIN. NICKEL OVERALL.

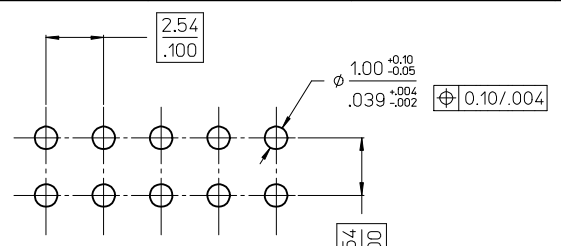
VOIDED OPTIONS

NO OF CKTS	HSG CKT SIZE	VOIDED PART NUMBER	VOID POSITION	PLATING TYPE
9	10	90130-8190	3	A
9	10	90130-8309	2	F
9	10	90130-8311	1	F
11	12	90130-8212	12	E
11	12	90130-8213	2	E
11	12	90130-8313	2	F
11	12	90130-8191	3	A

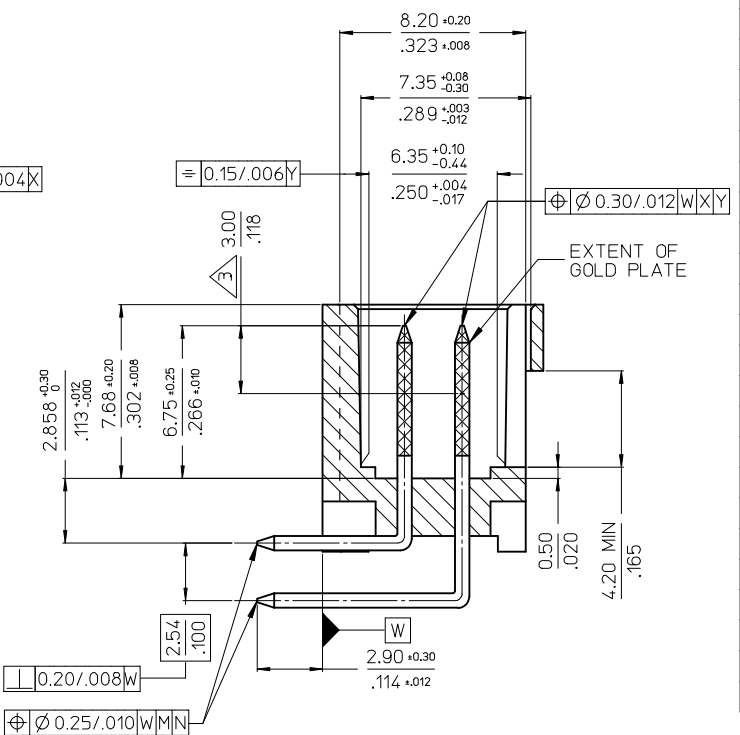
ADD DATUMS EC NO: S2015-0152 DRW:ATSEE CHKD:FANNYONG APPR:BLEE	2014/08/18 2014/08/18 2014/08/19	DESCRIPTION CA2	QUALITY SYMBOLS	GENERAL TOLERANCES (UNLESS SPECIFIED)	DIMENSION STYLE	SCALE	DESIGN UNITS	THIRD ANGLE PROJECTION		
			$F_A=0$ $F_E=0$ $F_F=0$	mm INCH 4 PLACES ± --- ± --- 3 PLACES ± --- ± .004 2 PLACES ± 0.10 ± --- 1 PLACE ± --- ± --- ANGULAR ± 1/2°	MM/IN	NTS	INCH	DRAWN BY: KS DATE: 1988/08/23 CHECKED BY: ATSEE DATE: 2010/02/11 APPROVED BY: MLONG DATE: 2010/02/19	TITLE	
			DRAFT WHERE APPLICABLE MUST REMAIN WITHIN DIMENSIONS	SEE TABLE	MATERIAL NO. SDA-90130	MOLEX INCORPORATED DOCUMENT NO.	C-GRID III DUAL ROW STRAIGHT SHROUDED HEADER	SHEET NO. 2 OF 4		
				THIS DRAWING CONTAINS INFORMATION THAT IS PROPRIETARY TO MOLEX INCORPORATED AND SHOULD NOT BE USED WITHOUT WRITTEN PERMISSION						



- NOTES :
- MATERIAL:-
 - PIN:- (0.65)/.0255 SQ. BRASS WIRE.
 - HOUSING:- 15% GLASS FILLED POLYESTER
 - UL 94 V-0 COLOUR BLACK
 - FOR PLATING VERSIONS AND VOID VERSIONS
 SEE SHEET 2.
 - MEASUREMENT POINT FOR MINIMUM PLATING THICKNESS.
 - FOR PRODUCT SPEC SEE PS-99020-0001
 - RECOMMENDED PCB THICKNESS: 1.60mm



RECOMMENDED P.C. BOARD HOLE PATTERN



SECTION K-K

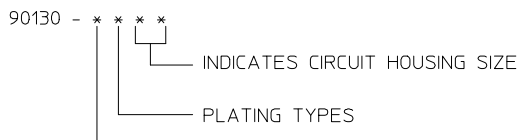
CKT	DIM A	DIM B	DIM C
6	(5.08)/ .200	(9.96)/ .392	(8.12)/ .320
8	(7.62)/ .300	(12.50)/ .492	(10.66)/ .420
10	(10.16)/ .400	(15.04)/ .592	(13.20)/ .520
12	(12.70)/ .500	(17.58)/ .692	(15.74)/ .620
14	(15.24)/ .600	(20.12)/ .792	(18.28)/ .720
16	(17.78)/ .700	(22.66)/ .892	(20.82)/ .820
18	(20.32)/ .800	(25.20)/ .992	(23.36)/ .920
20	(22.86)/ .900	(27.74)/ 1.092	(25.90)/ 1.020
22	(25.40)/ 1.000	(30.28)/ 1.192	(28.44)/ 1.120
24	(27.94)/ 1.100	(32.82)/ 1.292	(30.98)/ 1.220
26	(30.48)/ 1.200	(35.36)/ 1.392	(33.52)/ 1.320
28	(33.02)/ 1.300	(37.90)/ 1.492	(36.06)/ 1.420
30	(35.56)/ 1.400	(40.44)/ 1.592	(38.60)/ 1.520
32	(38.10)/ 1.500	(42.98)/ 1.692	(41.15)/ 1.620
34	(40.64)/ 1.600	(45.52)/ 1.792	(43.68)/ 1.720
36	(43.18)/ 1.700	(48.06)/ 1.892	(46.22)/ 1.820
38	(45.72)/ 1.800	(50.60)/ 1.992	(48.76)/ 1.920
40	(48.26)/ 1.900	(53.14)/ 2.092	(51.30)/ 2.020
42	(50.80)/ 2.000	(55.68)/ 2.192	(53.84)/ 2.120
44	(53.34)/ 2.100	(58.22)/ 2.292	(56.38)/ 2.220
46	(55.88)/ 2.200	(60.76)/ 2.392	(58.92)/ 2.320
48	(58.42)/ 2.300	(63.30)/ 2.492	(61.46)/ 2.420
50	(60.96)/ 2.400	(65.84)/ 2.592	(64.00)/ 2.520
52	(63.50)/ 2.500	(68.38)/ 2.692	(66.54)/ 2.620
54	(66.04)/ 2.600	(70.92)/ 2.792	(69.08)/ 2.720
56	(68.58)/ 2.700	(73.46)/ 2.892	(71.62)/ 2.820
58	(71.12)/ 2.800	(76.00)/ 2.992	(74.16)/ 2.920
60	(73.66)/ 2.900	(78.54)/ 3.092	(76.70)/ 3.020
62	(76.20)/ 3.000	(81.08)/ 3.192	(79.24)/ 3.120
64	(78.74)/ 3.100	(83.62)/ 3.292	(81.78)/ 3.220
66	(81.28)/ 3.200	(86.16)/ 3.392	(84.32)/ 3.320
68	(83.82)/ 3.300	(88.70)/ 3.492	(86.86)/ 3.420

ADD DATUMS EC NO: S2015-0152 DRW: NATSEE CHK: D-FANNY WONG APPR: LBLEE 2014/08/18 2014/08/18 2014/08/19	QUALITY SYMBOLS $F_A = 0$ $F_C = 0$ $F_P = 0$	GENERAL TOLERANCES (UNLESS SPECIFIED)		DIMENSION STYLE MM/IN	SCALE NTS	DESIGN UNITS INCH	THIRD ANGLE PROJECTION
		4 PLACES ± --- ± --- 3 PLACES ± --- ± .004 2 PLACES ± 0.10 ± --- 1 PLACE ± --- ± ---	mm INCH DRAWN BY: KS DATE: 1988/08/23	TITLE C-GRID III DUAL ROW STRAIGHT SHROUDED HEADER			
		ANGULAR ± 1/2°	CHECKED BY: ATSEE DATE: 2010/02/11	MOLEX INCORPORATED			
		DRAFT WHERE APPLICABLE MUST REMAIN WITHIN DIMENSIONS	APPROVED BY: MLONG DATE: 2010/02/19	MATERIAL NO. SEE TABLE	DOCUMENT NO. SDA-90130	SHEET NO. 3 OF 4	

VERSION FULLY LOADED

NO OF CKTS	HSG CKT SIZE	PART NUMBER			
		PLATING TYPE A	PLATING TYPE E	PLATING TYPE F	PLATING TYPE G
6	6	90130-X106	90130-X206	90130-X306	90130-X406
8	8	↑ X108	↑ X208	↑ X308	↑ X408
10	10	↑ X110	↑ X210	↑ X310	↑ X410
12	12	↑ X112	↑ X212	↑ X312	↑ X412
14	14	↑ X114	↑ X214	↑ X314	↑ X414
16	16	↑ X116	↑ X216	↑ X316	↑ X416
18	18	↑ X118	↑ X218	↑ X318	↑ X418
20	20	↑ X120	↑ X220	↑ X320	↑ X420
22	22	↑ X122	↑ X222	↑ X322	↑ X422
24	24	↑ X124	↑ X224	↑ X324	↑ X424
26	26	↑ X126	↑ X226	↑ X326	↑ X426
28	28	↑ X128	↑ X228	↑ X328	↑ X428
30	30	↑ X130	↑ X230	↑ X330	↑ X430
32	32	↑ X132	↑ X232	↑ X332	↑ X432
34	34	↑ X134	↑ X234	↑ X334	↑ X434
36	36	↑ X136	↑ X236	↑ X336	↑ X436
38	38	↑ X138	↑ X238	↑ X338	↑ X438
40	40	↑ X140	↑ X240	↑ X340	↑ X440
42	42	↑ X142	↑ X242	↑ X342	↑ X442
44	44	↑ X144	↑ X244	↑ X344	↑ X444
46	46	↑ X146	↑ X246	↑ X346	↑ X446
48	48	↑ X148	↑ X248	↑ X348	↑ X448
50	50	↑ X150	↑ X250	↑ X350	↑ X450
52	52	↑ X152	↑ X252	↑ X352	↑ X452
54	54	↑ X154	↑ X254	↑ X354	↑ X454
56	56	↑ X156	↑ X256	↑ X356	↑ X456
58	58	↑ X158	↑ X258	↑ X358	↑ X458
60	60	↑ X160	↑ X260	↑ X360	↑ X460
62	62	↑ X162	↑ X262	↑ X362	↑ X462
64	64	↑ X164	↑ X264	↑ X364	↑ X464
66	66	↓ X166	↓ X266	↓ X366	↓ X466
68	68	90130-X168	90130-X268	90130-X368	90130-X468

NOTES :
 1. FOR ASSEMBLY, SEE SHEET 1.
 2. REFER TO LEGEND FOR PLATING OPTIONS



STYLE: - 3. RIGHT ANGLE VERSION

- 1 - TYPE A:
3.0µm MIN. TIN OVER 1.27µm - 2.54µm NICKEL.
- 2 - TYPE E:
0.38µm MIN. GOLD IN SELECTED AREA & 3.0µm MIN. TIN IN SELECTED AREA OVER 1.3µm MIN. NICKEL OVERALL.
- 3 - TYPE F:
0.76µm MIN. GOLD IN SELECTED AREA & 3.0µm MIN. TIN IN SELECTED AREA OVER 1.3µm MIN. NICKEL OVERALL.
- 4 - TYPE G
0.05-0.10µm GOLD FLASH IN SELECTED AREA & 3.0µm MIN. TIN IN SELECTED AREA OVER 1.3µm MIN. NICKEL OVERALL.

ADD DATUMS EC NO: S2015-0152 DRWN:ATSEE CHKD:FANNY WONG APPR: LBLEE CA2	2014/08/18 2014/08/18 2014/08/19	DESCRIPTION QUALITY SYMBOLS $F_A=0$ $F_G=0$ $F_P=0$	GENERAL TOLERANCES (UNLESS SPECIFIED)		DIMENSION STYLE		SCALE	DESIGN UNITS	THIRD ANGLE PROJECTION			
					MM/IN		NTS	INCH				
					mm	INCH	DRAWN BY	DATE	TITLE			
					4 PLACES ± --- ± ---	3 PLACES ± --- ± .004	KS	1988/08/23	C-GRID III DUAL ROW STRAIGHT SHROUDED HEADER			
		2 PLACES ± 0.10 ± ---	1 PLACE ± --- ± ---	CHECKED BY	DATE	MOLEX INCORPORATED						
		ANGULAR ± 1/2°		ATSEE	2010/02/11					SDA-90130		
		DRAFT WHERE APPLICABLE MUST REMAIN WITHIN DIMENSIONS		APPROVED BY	DATE	4 OF 4						
				MLONG	2010/02/19					THIS DRAWING CONTAINS INFORMATION THAT IS PROPRIETARY TO MOLEX INCORPORATED AND SHOULD NOT BE USED WITHOUT WRITTEN PERMISSION		
				MATERIAL NO.	SEE TABLE	DOCUMENT NO.						
				SIZE	A3					SDA-90130		