

10 9 8 7 6 5 4 3 2 1

F

F

E

E

D

D

C

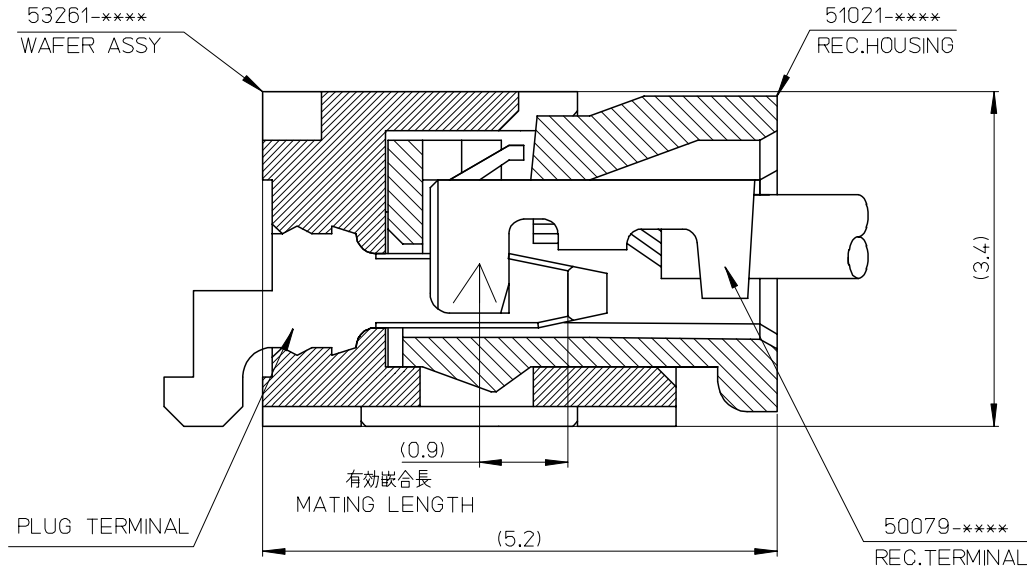
C

B

B

A

A

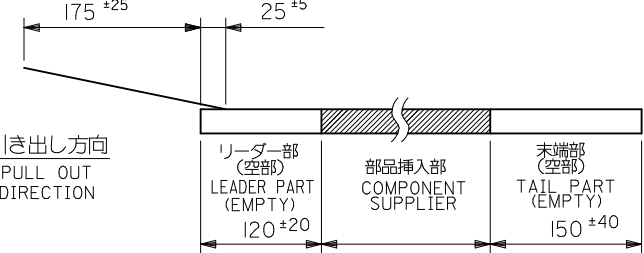


53261-****	WAFER ASSY	MODEL NO./MATERIAL NO.
50079-****	TERMINAL	
51021-****	HOUSING	

RELEASED EC NO: J2006-2426 DRWN: A0YAGI 2006/02/02 CHKD: YMAEDA 2006/02/03 APPR: NUKITA 2006/02/07	GENERAL TOLERANCES (UNLESS SPECIFIED)		DIMENSION STYLE MM ONLY		SCALE ---	DESIGN UNITS METRIC	THIRD ANGLE PROJECTION	
	10 UNDER	± ---	DRAWN BY Y. A0YAGI	DATE 2006/01/30	TITLE 1.25 W-TO-B CONN. 51021,53261 MATING CROSS SECTION			
	10 OVER 30 UNDER	± ---	CHECKED BY Y. MAEDA	DATE 2006/01/30	MOLEX INCORPORATED			
	30 OVER	± ---	APPROVED BY N. UKITA	DATE 2006/01/30	DOCUMENT NO. SD-51021-002			
	ANGULAR	± --- °	MATERIAL NO. SEE CHART		SHEET NO. 1 OF 1			
0	DRAFT WHERE APPLICABLE MUST REMAIN WITHIN DIMENSIONS		SIZE A3		THIS DRAWING CONTAINS INFORMATION THAT IS PROPRIETARY TO MOLEX INCORPORATED AND SHOULD NOT BE USED WITHOUT WRITTEN PERMISSION			

注記
NOTES

- 53261-**-19 の詳細寸法については図面 SD-53261-024 を参照下さい。
RE DETAILED DIMENSIONS, SEE SD-53261-024
- 梱包数量: 1000個/リール
NUMBER OF CONNECTOR: 1000PCS/REEL
- リードテープ長さ LEAD TAPE LENGTH
トップテープリーダー部 TOP TAPE LEADER PART
トップテープ未接着部 TOP TAPE NON-BONDED PART



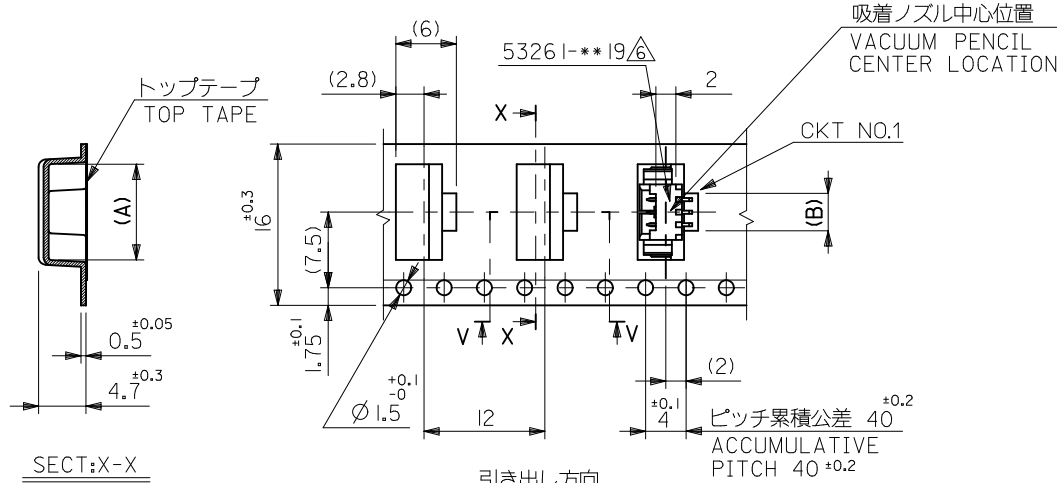
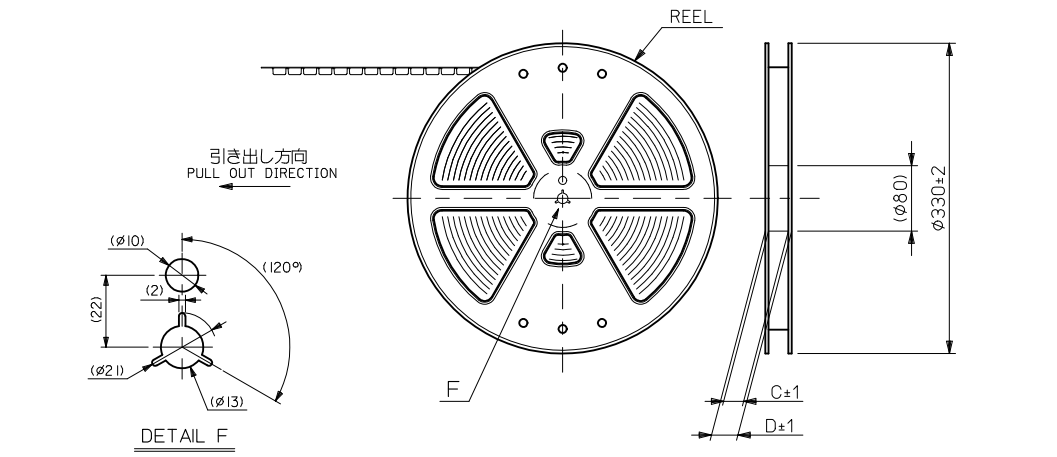
- 材料 (MATERIAL)
キャリアテープ (CARRIER TAPE): ポリプロピレン (POLYPROPYLENE)
トップテープ (TOP TAPE): PET, PE, PEF
リール (REEL): ポリスチレン (PS) <リサイクル材含む>
POLYSTYRENE (PS) <RECYCLE MATERIAL CONTAINED>

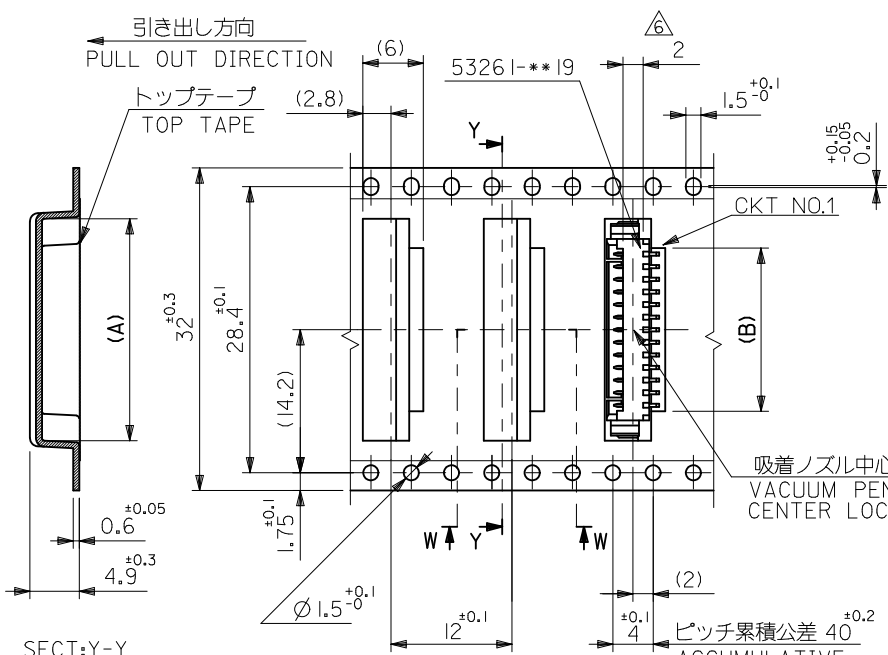
△ コネクタ、ハウジング平面部
CONNECTOR, HOUSING FLAT AREA

- 本製品は 53261-**-90 の鉛フリー品である。
THIS PRODUCT IS LEAD FREE OF 53261-**-90
- ELV及びRoHS適合品
ELV AND RoHS COMPLIANT
- 本製品は乾燥剤入り、ハイバリア梱包仕様である。
THIS PRODUCT IS HIGH BARRIER PACKAGE WITH DESICCANT.

16	21.4	17.4	3.7	9.5	53261-0371	3				
			2.45	8.25	53261-0271	2				
キャリアテープ幅 CARRIER TAPE WIDTH					D	C	B	A	EMBOSSED TAPE PACKAGE オーダー番号 ORDER NO.	極数 CKT.

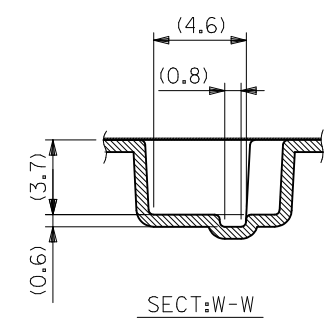
REVISED EC NO: D	DESCRIPTION 2010/02/17 DRWN: YGOTO CHKD: KASAKAWA APPR:	GENERAL TOLERANCES (UNLESS SPECIFIED)		DIMENSION STYLE MM ONLY		SCALE ---	DESIGN UNITS METRIC	THIRD ANGLE PROJECTION		
		10 UNDER	±0.2	DRAWN BY H. SHIMABUKUR	DATE '04/02/06	TITLE 1.25 W/B CONN WAFER ASSY FOR SMT EMBSTP PKG				
		10 OVER 30 UNDER	±0.25	CHECKED BY K. TOJO	DATE '04/02/06	APPROVED BY NUKITA 2010/02/18				
		30 OVER	±0.3	MATERIAL NO. SEE TABLE & SHEET 2,3		DOCUMENT NO. SD-53261-023		SHEET NO. 1 OF 3		
ANGULAR ±3 °		DRAFT WHERE APPLICABLE MUST REMAIN WITHIN DIMENSIONS		THIS DRAWING CONTAINS INFORMATION THAT IS PROPRIETARY TO MOLEX INCORPORATED AND SHOULD NOT BE USED WITHOUT WRITTEN PERMISSION						



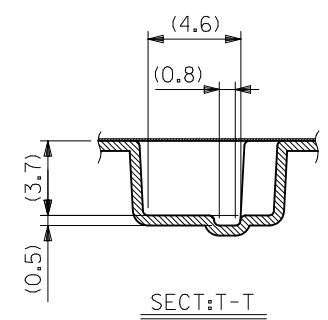


SECT:Y-Y

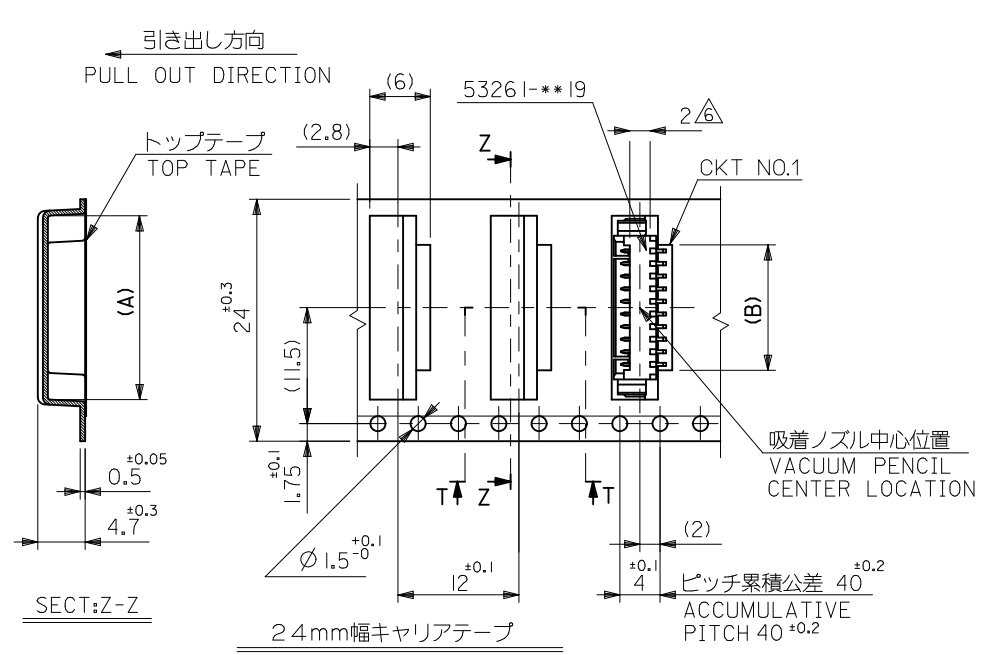
32mm幅キャリアテープ
32mm WIDTH CARRIER TAPE



SECT:W-W



SECT:T-T

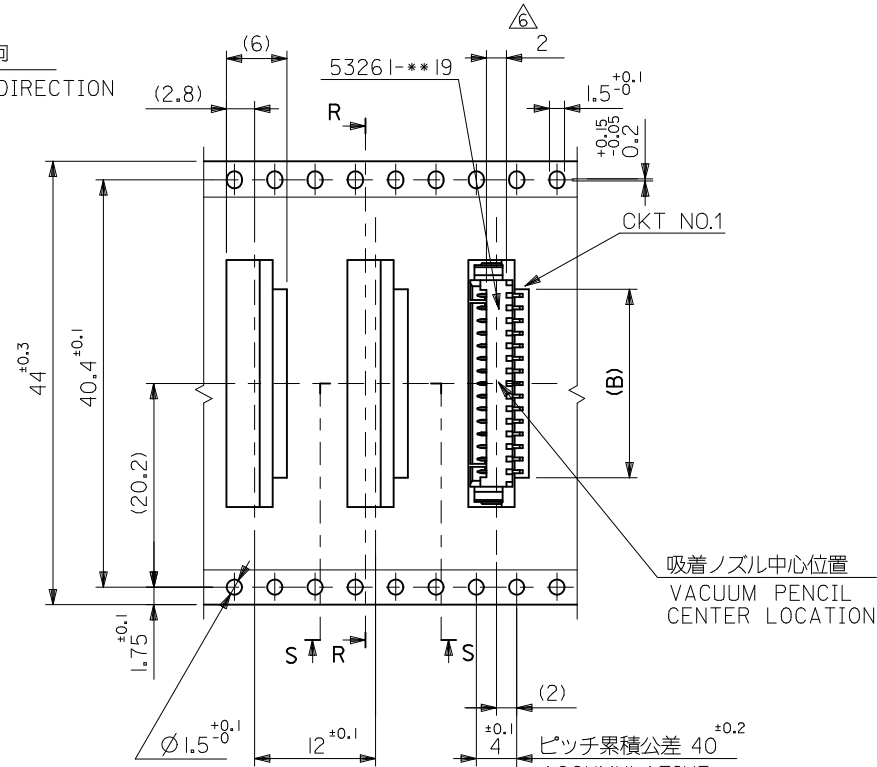
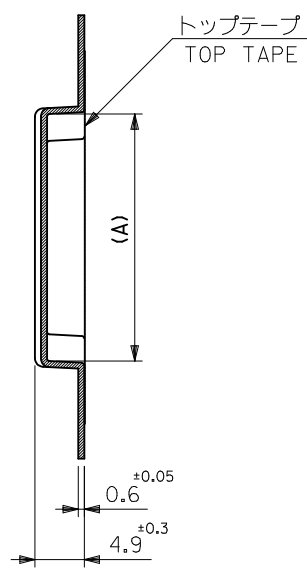


SECT:Z-Z

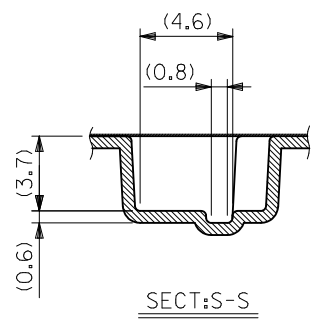
24mm幅キャリアテープ
24mm WIDTH CARRIER TAPE

32	37.4	33.4	16.2	22	53261-1371	13		
			14.95	20.75		-1271	12	
24	29.4	25.4	13.7	19.5	53261-1371	11		
			12.45	18.25		-1071	10	
			11.2	17	53261-1371	9		
			9.95	15.75		-0871	8	
			8.7	14.5	53261-1371	7		
			7.45	13.25		-0771	6	
			6.2	12	53261-1371	5		
			4.95	10.75		-0571	4	
キャリアテープ幅 CARRIER TAPE WIDTH			D	C	B	A	EMBOSSD TAPE PACKAGE 極数 CTKT.	
MODEL NO. 53261-***71			DIMENSION STYLE MM ONLY		SCALE ---		DESIGN UNITS METRIC	THIRD ANGLE PROJECTION
REVISED			GENERAL TOLERANCES (UNLESS SPECIFIED)		TITLE		1.25 W/B CONN WAFER ASSY FOR SMT EMBSTP PKG	
EC NO. 2010/02/17			10 UNDER ±0.2		DRAWN BY H. SHIMABUKUR		DATE '04/02/06	
DRWN: YGOTO			10 OVER 30 UNDER ±0.25		CHECKED BY K. TOJO		DATE '04/02/06	
CHKD: KASAKAWA			30 OVER ±0.3		APPROVED BY NUKITA		DATE 2010/02/18	
APPR:			ANGULAR ±3 °		MATERIAL NO.		DOCUMENT NO.	
			DRAFT WHERE APPLICABLE MUST REMAIN WITHIN DIMENSIONS		SEE TABLE & SHEET 1.3		SD-53261-023	
			SIZE A3		THIS DRAWING CONTAINS INFORMATION THAT IS PROPRIETARY TO MOLEX INCORPORATED AND SHOULD NOT BE USED WITHOUT WRITTEN PERMISSION		SHEET NO. 2 OF 3	

引き出し方向
PULL OUT DIRECTION



44mm幅キャリアテープ
44mm WIDTH CARRIER TAPE



44	49.4	45.4	18.7	24.5	53261-1571	15				
			17.45	23.25	53261-1471	14				
キャリアテープ幅 CARRIER TAPE WIDTH					D	C	B	A	EMBOSSD TAPE PACKAGE	極数 CKT.
MODEL NO. 53261-***71					ORDER NO.					

REVISED EC NO: D DRWN:YGOTO CHKD:KASAKAWA APPR: REV	DESCRIPTION	GENERAL TOLERANCES (UNLESS SPECIFIED)	DIMENSION STYLE MM ONLY	SCALE ---	DESIGN UNITS METRIC	THIRD ANGLE PROJECTION
	2010/02/17	10 UNDER ±0.2	DRAWN BY H. SHIMABUKUR	DATE '04/02/06	TITLE 1.25 W/B CONN WAFER ASSY FOR SMT EMBSTP PKG	
		10 OVER 30 UNDER ±0.25	CHECKED BY K. TOJO	DATE '04/02/06	MOLEX INCORPORATED	
		30 OVER ±0.3	APPROVED BY NUKITA	DATE 2010/02/18	DOCUMENT NO. SD-53261-023	SHEET NO. 3 OF 3
		ANGULAR ±3 °	MATERIAL NO. SEE TABLE & SHEET 12	THIS DRAWING CONTAINS INFORMATION THAT IS PROPRIETARY TO MOLEX INCORPORATED AND SHOULD NOT BE USED WITHOUT WRITTEN PERMISSION		
		DRAFT WHERE APPLICABLE MUST REMAIN WITHIN DIMENSIONS	SIZE A3			

