

10 9 8 7 6 5 4 3 2 1

F

F

E

E

D

D

C

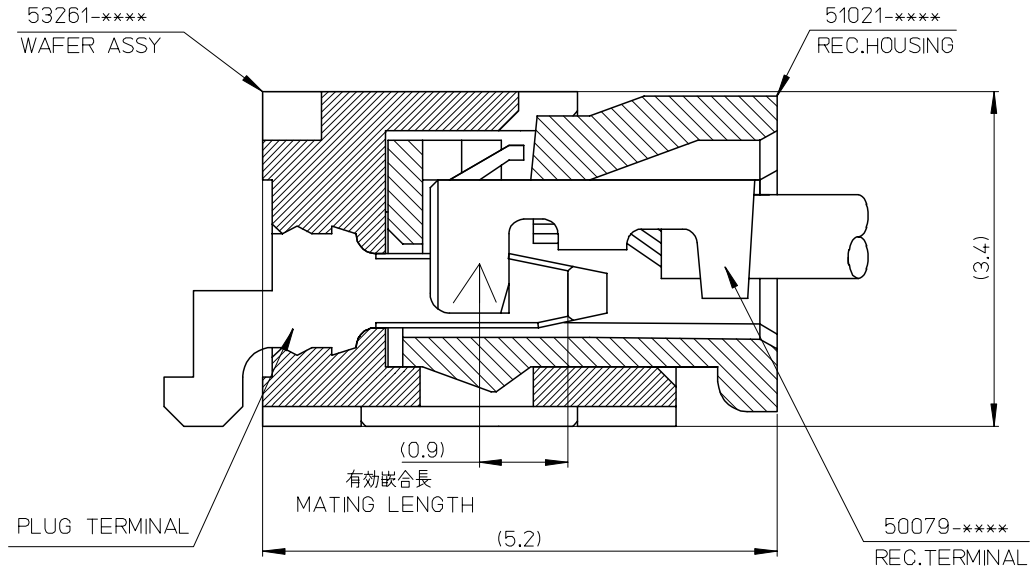
C

B

B

A

A



| | | |
|------------|------------|------------------------|
| 53261-**** | WAFER ASSY | MODEL NO./MATERIAL NO. |
| 50079-**** | TERMINAL | |
| 51021-**** | HOUSING | |

| | | | | | | | | |
|--|--|---------|----------------------------|--------------------|---|------------------------|------------------------|--|
| RELEASED EC NO: J2006-2426 DRWN: A0YAGI 2006/02/02 CHKD: YMAEDA 2006/02/03 APPR: NUKITA 2006/02/07 | GENERAL TOLERANCES (UNLESS SPECIFIED) | | DIMENSION STYLE MM ONLY | | SCALE --- | DESIGN UNITS METRIC | THIRD ANGLE PROJECTION | |
| | 10 UNDER | ± --- | DRAWN BY Y. A0YAGI | DATE 2006/01/30 | TITLE 1.25 W-TO-B CONN. 51021,53261 MATING CROSS SECTION | | | |
| | 10 OVER 30 UNDER | ± --- | CHECKED BY Y. MAEDA | DATE 2006/01/30 | MOLEX INCORPORATED | | | |
| | 30 OVER | ± --- | APPROVED BY N. UKITA | DATE 2006/01/30 | DOCUMENT NO. SD-51021-002 | | | |
| | ANGULAR | ± --- ° | MATERIAL NO. SEE CHART | | SHEET NO. 1 OF 1 | | | |
| 0 | DRAFT WHERE APPLICABLE MUST REMAIN WITHIN DIMENSIONS | | SIZE A3 | | THIS DRAWING CONTAINS INFORMATION THAT IS PROPRIETARY TO MOLEX INCORPORATED AND SHOULD NOT BE USED WITHOUT WRITTEN PERMISSION | | | |

9

8

7

6

5

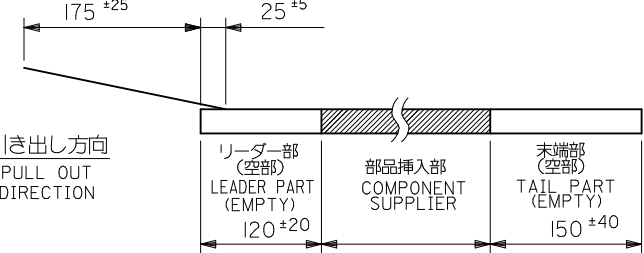
4

3

2

注記
NOTES

- 53261-**-19 の詳細寸法については図面 SD-53261-024 を参照下さい。
RE DETAILED DIMENSIONS, SEE SD-53261-024
- 梱包数量: 1000個/リール
NUMBER OF CONNECTOR: 1000PCS/REEL
- リードテープ長さ LEAD TAPE LENGTH
トップテープリーダー部 TOP TAPE LEADER PART
トップテープ未接着部 TOP TAPE NON-BONDED PART



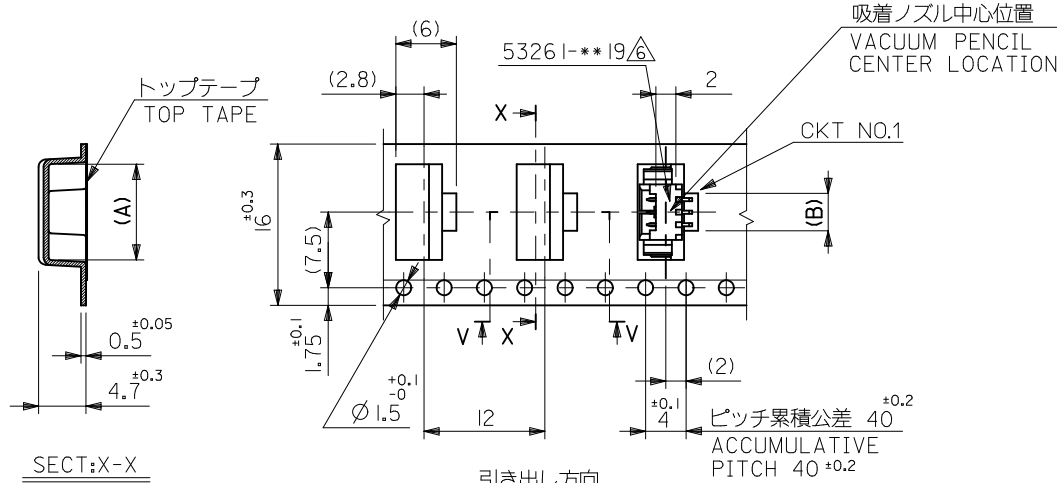
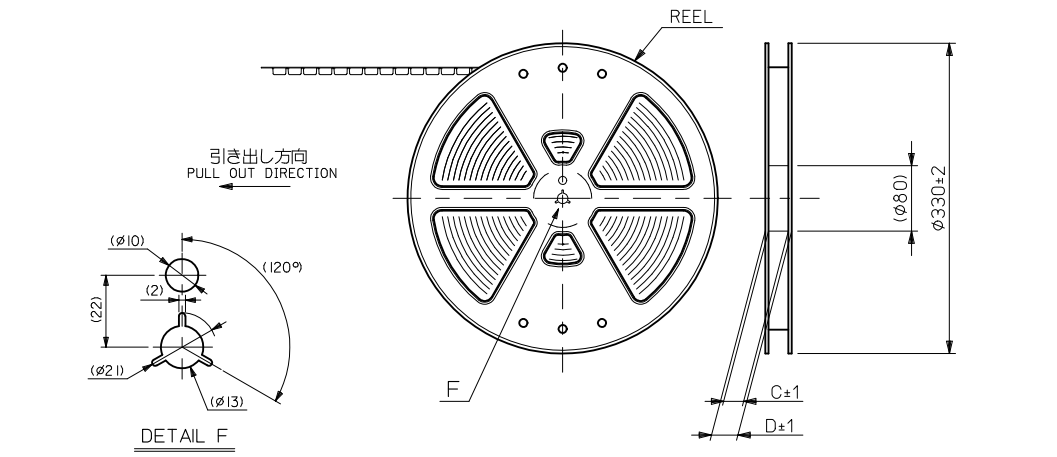
- 材料 (MATERIAL)
キャリアテープ (CARRIER TAPE): ポリプロピレン (POLYPROPYLENE)
トップテープ (TOP TAPE): PET, PE, PEF
リール (REEL): ポリスチレン (PS) <リサイクル材含む>
POLYSTYRENE (PS) <RECYCLE MATERIAL CONTAINED>

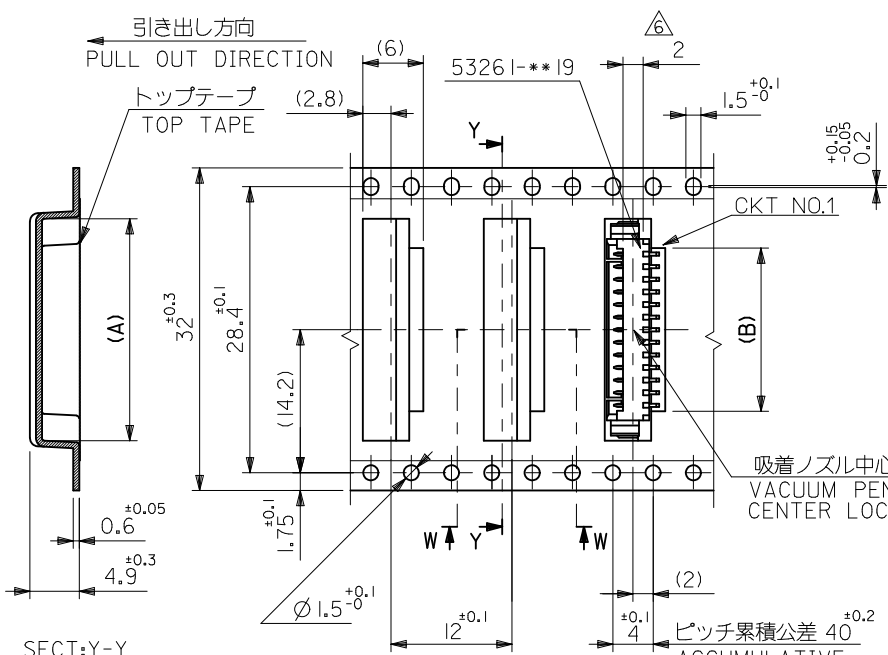
△ コネクタ、ハウジング平面部
CONNECTOR, HOUSING FLAT AREA

- 本製品は 53261-**-90 の鉛フリー品である。
THIS PRODUCT IS LEAD FREE OF 53261-**-90
- ELV及びRoHS適合品
ELV AND RoHS COMPLIANT
- 本製品は乾燥剤入り、ハイバリア梱包仕様である。
THIS PRODUCT IS HIGH BARRIER PACKAGE WITH DESICCANT.

| | | | | | | | | | | |
|--------------------------------|------|------|------|------|------------|---|---|---|--|------------|
| 16 | 21.4 | 17.4 | 3.7 | 9.5 | 53261-0371 | 3 | | | | |
| | | | 2.45 | 8.25 | 53261-0271 | 2 | | | | |
| キャリアテープ幅 CARRIER TAPE WIDTH | | | | | D | C | B | A | EMBOSSD TAPE PACKAGE オーダー番号 ORDER NO. | 極数 CKT. |

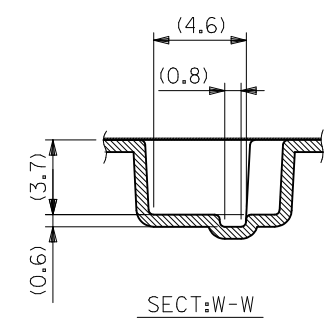
| | | | | | | | | | | |
|------------------------|---|--|-------|---|-------------------|--|------------------------|------------------------|--|--|
| REVISED EC NO: D | DESCRIPTION 2010/02/17 DRWN: YGOTO CHKD: KASAKAWA APPR: | GENERAL TOLERANCES (UNLESS SPECIFIED) | | DIMENSION STYLE MM ONLY | | SCALE --- | DESIGN UNITS METRIC | THIRD ANGLE PROJECTION | | |
| | | 10 UNDER | ±0.2 | DRAWN BY H. SHIMABUKUR | DATE '04/02/06 | TITLE 1.25 W/B CONN WAFER ASSY FOR SMT EMBSTP PKG | | | | |
| | | 10 OVER 30 UNDER | ±0.25 | CHECKED BY K. TOJO | DATE '04/02/06 | APPROVED BY DATE 2010/02/18 | | | | |
| | | 30 OVER | ±0.3 | MATERIAL NO. SEE TABLE & SHEET 2,3 | | DOCUMENT NO. SD-53261-023 | | SHEET NO. 1 OF 3 | | |
| ANGULAR ±3 ° | | DRAFT WHERE APPLICABLE MUST REMAIN WITHIN DIMENSIONS | | THIS DRAWING CONTAINS INFORMATION THAT IS PROPRIETARY TO MOLEX INCORPORATED AND SHOULD NOT BE USED WITHOUT WRITTEN PERMISSION | | | | | | |



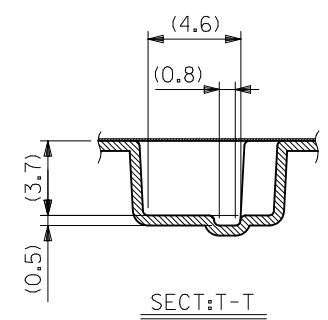


SECT:Y-Y

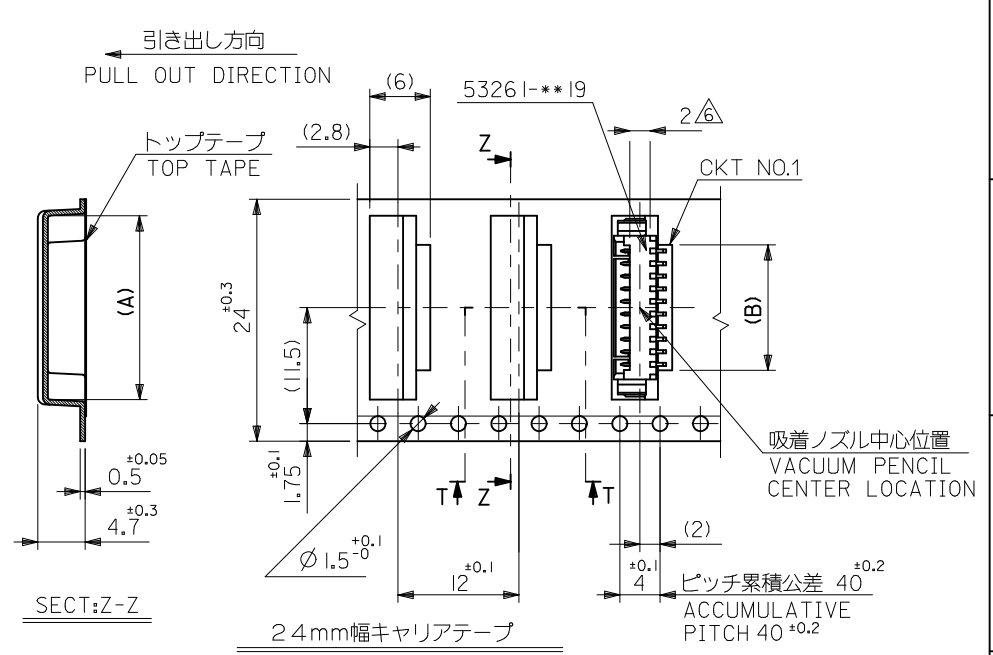
32mm幅キャリアテープ
32mm WIDTH CARRIER TAPE



SECT:W-W



SECT:T-T



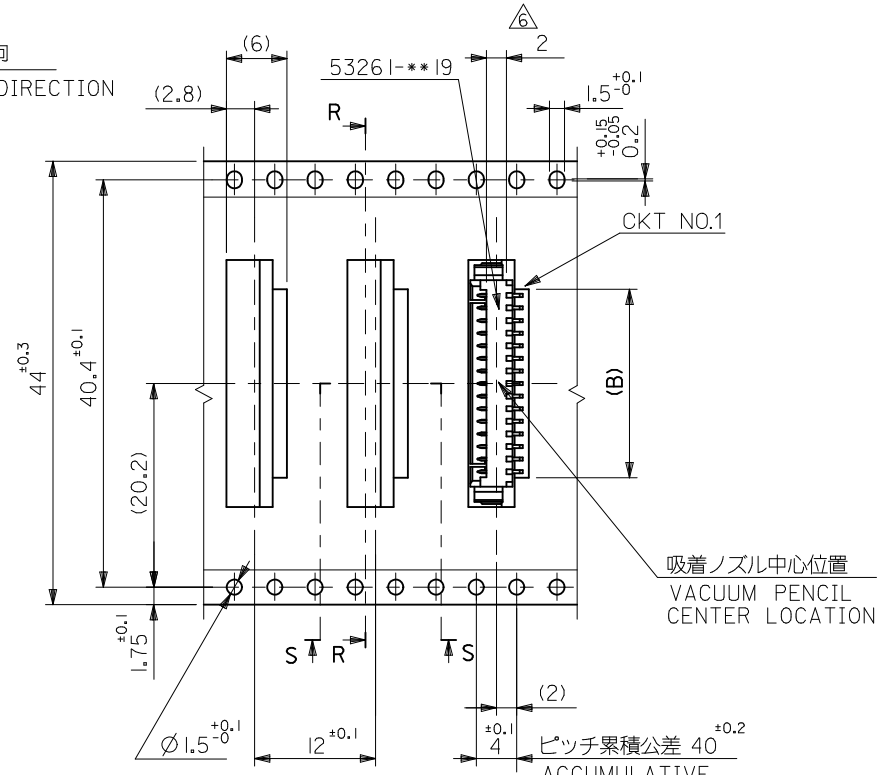
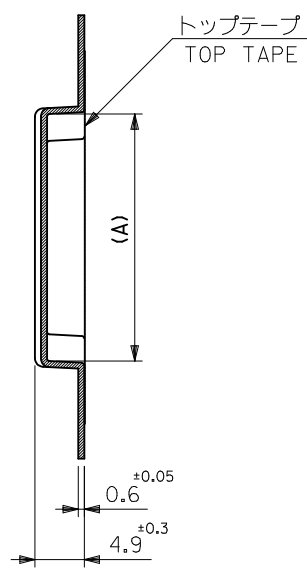
SECT:Z-Z

24mm幅キャリアテープ
24mm WIDTH CARRIER TAPE

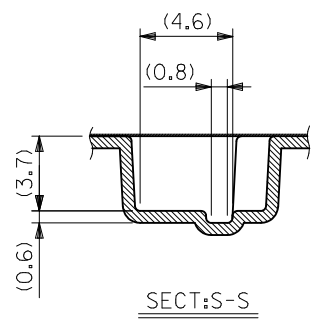
| | | | | | | | | |
|--------------------------------|------|------|----------------------------|-------|--------------|----|-------------------------------------|---------------------------|
| 32 | 37.4 | 33.4 | 16.2 | 22 | 53261-1371 | 13 | | |
| | | | 14.95 | 20.75 | -1271 | 12 | | |
| | | | 13.7 | 19.5 | -1171 | 11 | | |
| | | | 12.45 | 18.25 | -1071 | 10 | | |
| 24 | 29.4 | 25.4 | 11.2 | 17 | -0971 | 9 | | |
| | | | 9.95 | 15.75 | -0871 | 8 | | |
| | | | 8.7 | 14.5 | -0771 | 7 | | |
| | | | 7.45 | 13.25 | -0671 | 6 | | |
| | | | 6.2 | 12 | -0571 | 5 | | |
| | | | 4.95 | 10.75 | -0471 | 4 | | |
| キャリアテープ幅 CARRIER TAPE WIDTH | | | D | C | B | A | EMBOSSD TAPE PACKAGE 極数 CTKT. | |
| MODEL NO. 53261-***71 | | | DIMENSION STYLE MM ONLY | | SCALE --- | | DESIGN UNITS METRIC | THIRD ANGLE PROJECTION |

| | | | | | | | | |
|--|---|--|-------|---------------------------|--------------------|--------------------|--|---|
| REVISED EC NO: D | 2010/02/17 DRWN:YGOITO CHKD:KASAKAWA APPR: | GENERAL TOLERANCES (UNLESS SPECIFIED) | | DRAWN BY H. SHIMABUKUR | | DATE '04/02/06 | | TITLE 1.25 W/B CONN WAFER ASSY FOR SMT EMBSTP PKG |
| | | 10 UNDER | ±0.2 | CHECKED BY K. TOJO | DATE '04/02/06 | | | |
| | | 10 OVER 30 UNDER | ±0.25 | APPROVED BY NUKITA | DATE 2010/02/18 | | | |
| | | 30 OVER | ±0.3 | MATERIAL NO. | DOCUMENT NO. | | | |
| | | ANGULAR ±3 ° | | SEE TABLE & SHEET 1.3 | | MOLEX INCORPORATED | | |
| DRAFT WHERE APPLICABLE MUST REMAIN WITHIN DIMENSIONS | | THIS DRAWING CONTAINS INFORMATION THAT IS PROPRIETARY TO MOLEX INCORPORATED AND SHOULD NOT BE USED WITHOUT WRITTEN PERMISSION | | | | | | |

引き出し方向
PULL OUT DIRECTION

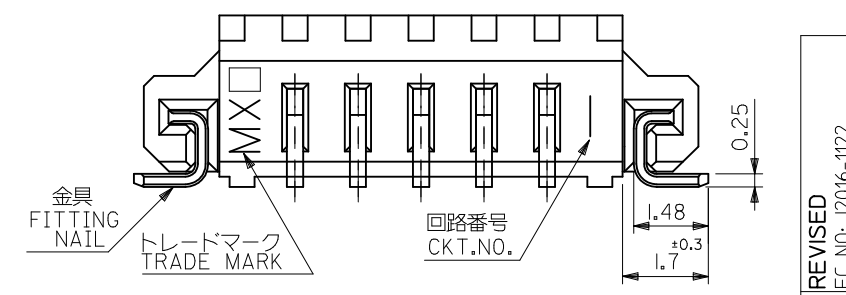
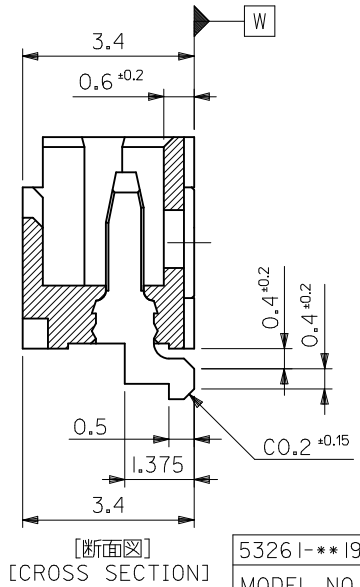
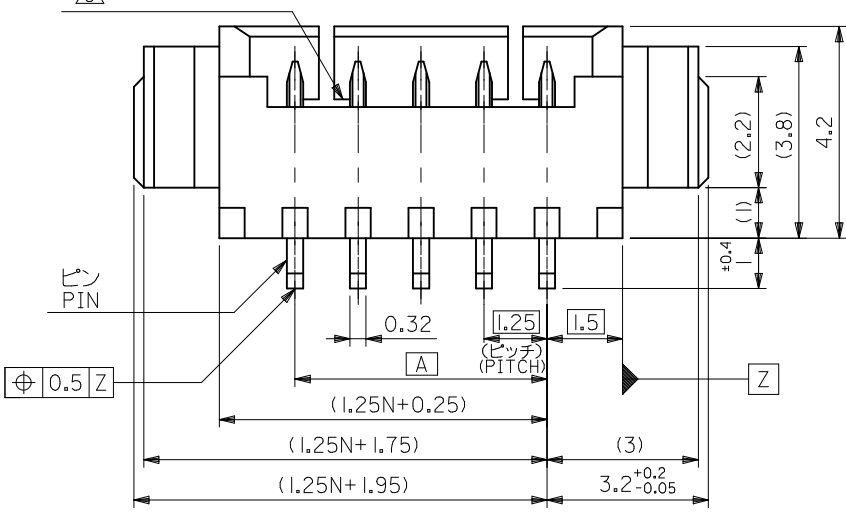
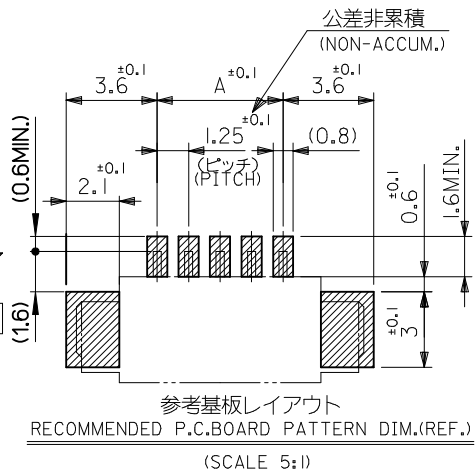
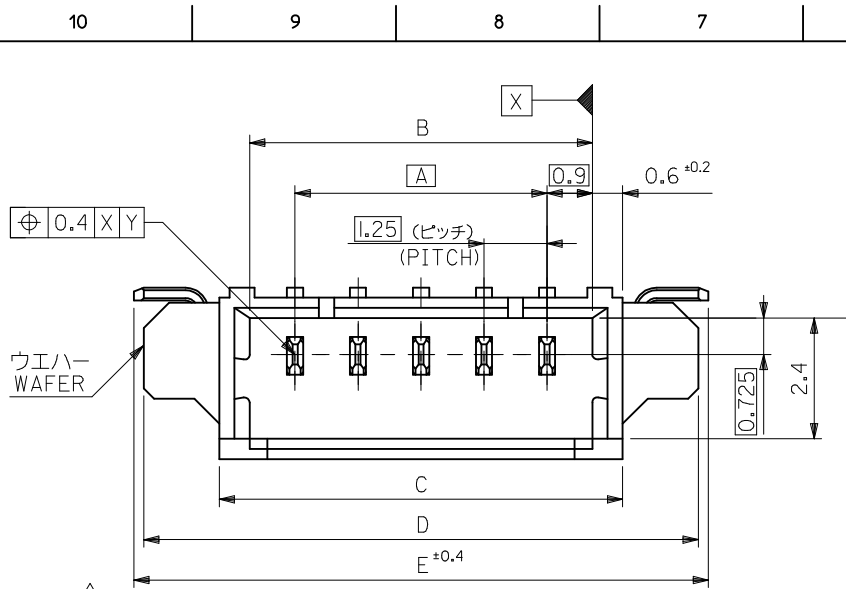


44mm幅キャリアテープ
44mm WIDTH CARRIER TAPE



| | | | | | | | | | | |
|--------------------------------|------|------|-------|-------|------------|----|---|---|----------------------|------------|
| 44 | 49.4 | 45.4 | 18.7 | 24.5 | 53261-1571 | 15 | | | | |
| | | | 17.45 | 23.25 | 53261-1471 | 14 | | | | |
| キャリアテープ幅 CARRIER TAPE WIDTH | | | | | D | C | B | A | EMBOSSD TAPE PACKAGE | 極数 CKT. |
| MODEL NO. 53261-***71 | | | | | ORDER NO. | | | | | |

| | | | | | | |
|---|-------------|--|--------------------------------------|--|---|---------------------------|
| REVISED EC NO: D DRWN:YGOTO CHKD:KASAKAWA APPR: REV | DESCRIPTION | GENERAL TOLERANCES (UNLESS SPECIFIED) | DIMENSION STYLE MM ONLY | SCALE --- | DESIGN UNITS METRIC | THIRD ANGLE PROJECTION |
| | 2010/02/17 | 10 UNDER ±0.2 | DRAWN BY H. SHIMABUKUR | DATE '04/02/06 | TITLE 1.25 W/B CONN WAFER ASSY FOR SMT EMBSTP PKG | |
| | | 10 OVER 30 UNDER ±0.25 | CHECKED BY K. TOJO | DATE '04/02/06 | MOLEX INCORPORATED | |
| | | 30 OVER ±0.3 | APPROVED BY NUKITA | DATE 2010/02/18 | DOCUMENT NO. SD-53261-023 | SHEET NO. 3 OF 3 |
| | | ANGULAR ±3 ° | MATERIAL NO. SEE TABLE & SHEET 12 | THIS DRAWING CONTAINS INFORMATION THAT IS PROPRIETARY TO MOLEX INCORPORATED AND SHOULD NOT BE USED WITHOUT WRITTEN PERMISSION | | |
| | | DRAFT WHERE APPLICABLE MUST REMAIN WITHIN DIMENSIONS | SIZE A3 | | | |



注記 NOTES

- 嵌合相手: 51021 シリーズ
MATES WITH: 51021 SERIES
- 材質 MATERIAL
ウエハー: NYLON46, UL94V-0
ピン: リン青銅
: PHOS-BRO
: 銅メッキ 1.0 マイクロメートル以上
: TIN 1.0 MICROMETER MINIMUM
: ニッケル下地 1.0 マイクロメートル以上
: NICKEL (UNDER PLATING) 1.0 MICROMETER MINIMUM
金具
FITTING NAIL: リン青銅
: PHOS-BRO
: 銅メッキ 1.0 マイクロメートル以上
: TIN 1.0 MICROMETER MINIMUM
: ニッケル下地 1.0 マイクロメートル以上
: NICKEL (UNDER PLATING) 1.0 MICROMETER MINIMUM
- ロック窓は2、3極は1箇所、4極以上は2箇所とする。
LOCKING WINDOW: ONE PLACE FOR 2 AND 3 CKT. AND TWO PLACES FOR MORE THAN 3 CKT.
- ソリダール部のスレ量及び金具(補強板)のスレ量は基準面 W に対し、上方向 0.05MAX.、下方向に 0.1 MAX.とする。
OFFSET BETWEEN BASIS PLANE W TO SOLDER TAIL BOTTOM AND FITTING NAIL BOTTOM:
UPPER SIDE: 0.05MAX.
LOWER SIDE: 0.1MAX.
- 本製品は 53261-**-10 の鉛フリー品である。
THIS PRODUCT IS LEAD FREE OF 53261-**10
- ELV及びRoHS適合品
ELV AND RoHS COMPLIANT.
- ソルダーテール及び金具の平坦度は0.1以下。
SOLDER TAIL & FITTING NAIL COPLANARITY TO BE 0.1 MAX.

| | | | | | | | | |
|-------------|-------|-------|-------|-------|------------|-----------------------------|--------------|---------|
| 26.4 | 26 | 23 | 21.8 | 20 | 53261-1771 | 53261-1719 | 17 | |
| 23.9 | 23.5 | 20.5 | 19.3 | 17.5 | -1571 | -1519 | 15 | |
| 22.65 | 22.25 | 19.25 | 18.05 | 16.25 | -1471 | -1419 | 14 | |
| 21.4 | 21 | 18 | 16.8 | 15 | -1371 | -1319 | 13 | |
| 20.15 | 19.75 | 16.75 | 15.55 | 13.75 | -1271 | -1219 | 12 | |
| 18.9 | 18.5 | 15.5 | 14.3 | 12.5 | -1171 | -1119 | 11 | |
| 17.65 | 17.25 | 14.25 | 13.05 | 11.25 | -1071 | -1019 | 10 | |
| 16.4 | 16 | 13 | 11.8 | 10 | -0971 | -0919 | 9 | |
| 15.15 | 14.75 | 11.75 | 10.55 | 8.75 | -0871 | -0819 | 8 | |
| 13.9 | 13.5 | 10.5 | 9.3 | 7.5 | -0771 | -0719 | 7 | |
| 12.65 | 12.25 | 9.25 | 8.05 | 6.25 | -0671 | -0619 | 6 | |
| 11.4 | 11 | 8 | 6.8 | 5 | -0571 | -0519 | 5 | |
| 10.15 | 9.75 | 6.75 | 5.55 | 3.75 | -0471 | -0419 | 4 | |
| 8.9 | 8.5 | 5.5 | 4.3 | 2.5 | -0371 | -0319 | 3 | |
| 53261-**-19 | 7.65 | 7.25 | 4.25 | 3.05 | 1.25 | 53261-0271 | 53261-0219 | 2 |
| MODEL NO. | E | D | C | B | A | EMBOSSED TAPE PKG ORDER No. | MATERIAL NO. | 極数 CKT. |

| | | | | | | | | |
|--|------------|------------|-------------|---------------------------------------|---|--------------|--------------------------------------|------------------------|
| REVISED EC NO: J2016-1122 DRWN: QHE31 CHKD: SAKIYAMA APPR: IKANEKO | 2016/04/26 | 2016/05/06 | 2016/05/06 | GENERAL TOLERANCES (UNLESS SPECIFIED) | DIMENSION STYLE | SCALE | DESIGN UNITS | THIRD ANGLE PROJECTION |
| | 0.25 UNDER | UNDER | ±0.03 | MM ONLY | 10:1 | METRIC | | |
| | 0.25 OVER | 0.5 UNDER | ±0.05 | DRAWN BY | DATE | TITLE | 1.25 WIRE TO BOARD WAFER ASS FOR SMT | |
| | 0.5 OVER | 1.0 UNDER | ±0.1 | HS HIMABU | 04/02/06 | | molex | |
| 1.0 OVER | 10 UNDER | ±0.2 | CHECKED BY | DATE | | DOCUMENT NO. | | |
| 10 OVER | 30 UNDER | ±0.25 | KTOJO | 04/02/06 | | SD-53261-024 | | |
| 30 OVER | | ±0.3 | APPROVED BY | DATE | | SHEET NO. | | |
| ANGULAR | ±3 ° | | MSASAO | 04/02/06 | | 1 OF 1 | | |
| DRAFT WHERE APPLICABLE MUST REMAIN WITHIN DIMENSIONS | | | | SIZE | THIS DRAWING CONTAINS INFORMATION THAT IS PROPRIETARY TO MOLEX ELECTRONIC TECHNOLOGIES, LLC AND SHOULD NOT BE USED WITHOUT WRITTEN PERMISSION | | | |
| | | | | A3 | | | | |