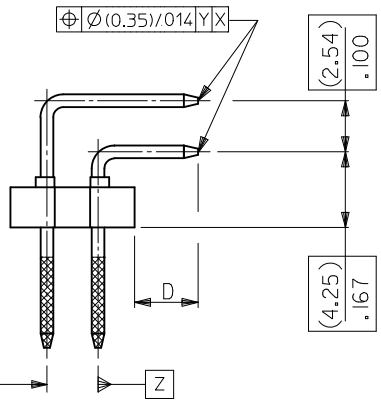
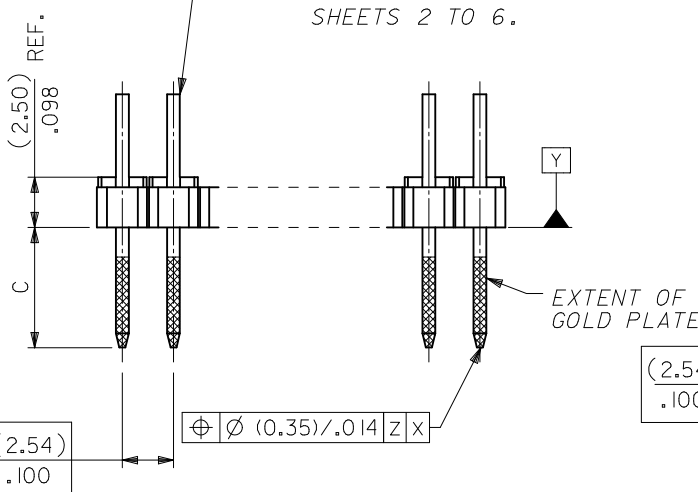
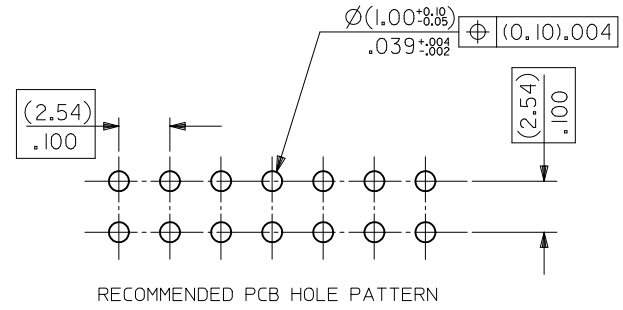


WAFER: 15% GLASS FILLED POLYESTER TO UL 94V-0. COLOUR: BLACK.

PINS: (0.650)/.0255 SQ. BRASS WIRE. PLATED AS PER SHEETS 2 TO 6.



NOTES
1. FOR ASSY NUMBERS WITH FINISH OPTIONS AND DIM'S C & D SEE SHEETS 2 TO 6.



NOTES
2. RECOMMENDED PCB THICKNESS: 1.6MM
3. PRODUCT SPECIFICATION: PS-99020-0001

CKT SIZE	DIM. "A"		DIM. "B" ($\begin{smallmatrix} +0.20 \\ -0.35 \\ -0.008 \\ -0.014 \end{smallmatrix}$)		CKT SIZE	DIM. "A"		DIM. "B" ($\begin{smallmatrix} \pm 0.20 \\ \pm .008 \end{smallmatrix}$)	
2X 1			(2.54)	.100	2X21	(50.80)	2.000	(53.34)	2.100
2X 2	(2.54)	.100	(5.08)	.200	2X22	(53.34)	2.100	(55.88)	2.200
2X 3	(5.08)	.200	(7.62)	.300	2X23	(55.88)	2.200	(58.42)	2.300
2X 4	(7.62)	.300	(10.16)	.400	2X24	(58.42)	2.300	(60.96)	2.400
2X 5	(10.16)	.400	(12.70)	.500	2X25	(60.96)	2.400	(63.50)	2.500
2X 6	(12.70)	.500	(15.24)	.600	2X26	(63.50)	2.500	(66.04)	2.600
2X 7	(15.24)	.600	(17.78)	.700	2X27	(66.04)	2.600	(68.58)	2.700
2X 8	(17.78)	.700	(20.32)	.800	2X28	(68.58)	2.700	(71.12)	2.800
2X 9	(20.32)	.800	(22.86)	.900	2X29	(71.12)	2.800	(73.66)	2.900
2X10	(22.86)	.900	(25.40)	1.000	2X30	(73.66)	2.900	(76.20)	3.000
2X11	(25.40)	1.000	(27.94)	1.100	2X31	(76.20)	3.000	(78.74)	3.100
2X12	(27.94)	1.100	(30.48)	1.200	2X32	(78.74)	3.100	(81.28)	3.200
2X13	(30.48)	1.200	(33.02)	1.300	2X33	(81.28)	3.200	(83.82)	3.300
2X14	(33.02)	1.300	(35.56)	1.400	2X34	(83.82)	3.300	(86.36)	3.400
2X15	(35.56)	1.400	(38.10)	1.500	2X35	(86.36)	3.400	(88.90)	3.500
2X16	(38.10)	1.500	(40.64)	1.600	2X36	(88.90)	3.500	(91.44)	3.600
2X17	(40.64)	1.600	(43.18)	1.700	2X37	(91.44)	3.600	(93.98)	3.700
2X18	(43.18)	1.700	(45.72)	1.800	2X38	(93.98)	3.700	(96.52)	3.800
2X19	(45.72)	1.800	(48.26)	1.900	2X39	(96.52)	3.800	(99.06)	3.900
2X20	(48.26)	1.900	(50.80)	2.000	2X40	(99.06)	3.900	(101.60)	4.000

REVISE PIN DIM EC NO: S2012-0325 DRWN:SKANG CHKD:ATSEE APPR:MLONG	QUALITY SYMBOLS $\nabla F_A=0$ $\nabla F_B=0$ $\nabla F_P=0$	GENERAL TOLERANCES (UNLESS SPECIFIED)		DIMENSION STYLE MM ONLY		SCALE NTS	DESIGN UNITS METRIC	THIRD ANGLE PROJECTION		
		4 PLACES	± ---	± ---	DRAWN BY DB	DATE 16/07/87	TITLE C-GRID III DUAL ROW RIGHT ANGLE HEADER			
		3 PLACES	± ---	± ---	CHECKED BY DB	DATE 1987/07/16				
		2 PLACES	± 0.05	± .002	APPROVED BY DB	DATE 1987/07/16	MOLEX INCORPORATED			
1 PLACE	± ---	± ---	ANGULAR ± ---°		MATERIAL NO. SEE TABLE	DOCUMENT NO. SDA-90122				
DRAFT WHERE APPLICABLE MUST REMAIN WITHIN DIMENSIONS		THIS DRAWING CONTAINS INFORMATION THAT IS PROPRIETARY TO MOLEX INCORPORATED AND SHOULD NOT BE USED WITHOUT WRITTEN PERMISSION								

10 9 8 7 6 5 4 3 2 1

CIRCUIT SIZE	PLATING TYPE A	PLATING TYPE E	PLATING TYPE F
	PART NO.	PART NO.	PART NO.
2 X 1	90122-0121	90122-0761	90122-0921
2 X 2	▲ -0122	▲ -0762	▲ -0922
2 X 3	-0123	-0763	-0923
2 X 4	-0124	-0764	-0924
2 X 5	-0125	-0765	-0925
2 X 6	-0126	-0766	-0926
2 X 7	-0127	-0767	-0927
2 X 8	-0128	-0768	-0928
2 X 9	-0129	-0769	-0929
2 X 10	-0130	-0770	-0930
2 X 11	-0131	-0771	-0931
2 X 12	-0132	-0772	-0932
2 X 13	-0133	-0773	-0933
2 X 14	-0134	-0774	-0934
2 X 15	-0135	-0775	-0935
2 X 16	-0136	-0776	-0936
2 X 17	-0137	-0777	-0937
2 X 18	-0138	-0778	-0938
2 X 19	-0139	-0779	-0939
2 X 20	-0140	-0780	-0940
2 X 21	-0141	-0781	-0941
2 X 22	-0142	-0782	-0942
2 X 23	-0143	-0783	-0943
2 X 24	-0144	-0784	-0944
2 X 25	-0145	-0785	-0945
2 X 26	-0146	-0786	-0946
2 X 27	-0147	-0787	-0947
2 X 28	-0148	-0788	-0948
2 X 29	-0149	-0789	-0949
2 X 30	-0150	-0790	-0950
2 X 31	-0151	-0791	-0951
2 X 32	-0152	-0792	-0952
2 X 33	-0153	-0793	-0953
2 X 34	-0154	-0794	-0954
2 X 35	-0155	-0795	-0955
2 X 36	-0156	-0796	-0956
2 X 37	-0157	-0797	-0957
2 X 38	-0158	-0798	-0958
2 X 39	▼ -0159	▼ -0799	▼ -0959
2 X 40	90122-0160	90122-0800	90122-0960

DIM C (±0.20) ±.008 (6.75) .266

DIM D (±0.25) ±.010 (2.90) .114

NOTES:
FOR PLATING VARIATIONS SEE
ENG.STD. SDES-99000-0003.

REVISE PIN DIM EC NO: S2012-0325 DRWN:SKANG CHKD:ATSEE APPR:MLONG 2011/10/21 2011/10/31 2011/10/31	QUALITY SYMBOLS	GENERAL TOLERANCES (UNLESS SPECIFIED)	DIMENSION STYLE	SCALE	DESIGN UNITS	THIRD ANGLE PROJECTION
	$\nabla_A = 0$ $\nabla_E = 0$ $\nabla_F = 0$	mm INCH	MM ONLY	NTS	METRIC	
		4 PLACES ± --- ± ---	DRAWN BY DATE	TITLE		
		3 PLACES ± --- ± ---	DB 16/07/87	C-GRID III DUAL ROW RIGHT ANGLE HEADER		
	2 PLACES ± 0.05 ± .002	CHECKED BY DATE	MOLEX INCORPORATED			
	1 PLACE ± --- ± ---	DB 1987/07/16	DOCUMENT NO.			
	ANGULAR ± ---°	APPROVED BY DATE	SHEET NO.			
		DB 1987/07/16	SDA-90122			
		MATERIAL NO.	SEE TABLE			
			THIS DRAWING CONTAINS INFORMATION THAT IS PROPRIETARY TO MOLEX INCORPORATED AND SHOULD NOT BE USED WITHOUT WRITTEN PERMISSION			
			2 OF 6			

9 8 7 6 5 4 3 2 1

	10	9	8	7	6	5	4	3	2	1
	CIRCUIT SIZE	PLATING TYPE A PART NO.	PLATING TYPE E PART NO.	PLATING TYPE F PART NO.			CIRCUIT SIZE	PLATING TYPE A PART NO.	PLATING TYPE E PART NO.	PLATING TYPE F PART NO.
	2 X 1	90122-0041	90122-0681	90122-0841			2 X 1	90122-0081	90122-0721	90122-0881
	2 X 2	↑ -0042	↑ -0682	↑ -0842			2 X 2	↑ -0082	↑ -0722	↑ -0882
	2 X 3	-0043	-0683	-0843			2 X 3	-0083	-0723	-0883
	2 X 4	-0044	-0684	-0844			2 X 4	-0084	-0724	-0884
	2 X 5	-0045	-0685	-0845			2 X 5	-0085	-0725	-0885
	2 X 6	-0046	-0686	-0846			2 X 6	-0086	-0726	-0886
	2 X 7	-0047	-0687	-0847			2 X 7	-0087	-0727	-0887
	2 X 8	-0048	-0688	-0848			2 X 8	-0088	-0728	-0888
	2 X 9	-0049	-0689	-0849			2 X 9	-0089	-0729	-0889
	2 X 10	-0050	-0690	-0850			2 X 10	-0090	-0730	-0890
	2 X 11	-0051	-0691	-0851			2 X 11	-0091	-0731	-0891
	2 X 12	-0052	-0692	-0852			2 X 12	-0092	-0732	-0892
	2 X 13	-0053	-0693	-0853			2 X 13	-0093	-0733	-0893
	2 X 14	-0054	-0694	-0854			2 X 14	-0094	-0734	-0894
	2 X 15	-0055	-0695	-0855			2 X 15	-0095	-0735	-0895
	2 X 16	-0056	-0696	-0856			2 X 16	-0096	-0736	-0896
	2 X 17	-0057	-0697	-0857			2 X 17	-0097	-0737	-0897
	2 X 18	-0058	-0698	-0858			2 X 18	-0098	-0738	-0898
	2 X 19	-0059	-0699	-0859			2 X 19	-0099	-0739	-0899
	2 X 20	-0060	-0700	-0860			2 X 20	-0100	-0740	-0900
	2 X 21	-0061	-0701	-0861			2 X 21	-0101	-0741	-0901
	2 X 22	-0062	-0702	-0862			2 X 22	-0102	-0742	-0902
	2 X 23	-0063	-0703	-0863			2 X 23	-0103	-0743	-0903
	2 X 24	-0064	-0704	-0864			2 X 24	-0104	-0744	-0904
	2 X 25	-0065	-0705	-0865			2 X 25	-0105	-0745	-0905
	2 X 26	-0066	-0706	-0866			2 X 26	-0106	-0746	-0906
	2 X 27	-0067	-0707	-0867			2 X 27	-0107	-0747	-0907
	2 X 28	-0068	-0708	-0868			2 X 28	-0108	-0748	-0908
	2 X 29	-0069	-0709	-0869			2 X 29	-0109	-0749	-0909
	2 X 30	-0070	-0710	-0870			2 X 30	-0110	-0750	-0910
	2 X 31	-0071	-0711	-0871			2 X 31	-0111	-0751	-0911
	2 X 32	-0072	-0712	-0872			2 X 32	-0112	-0752	-0912
	2 X 33	-0073	-0713	-0873			2 X 33	-0113	-0753	-0913
	2 X 34	-0074	-0714	-0874			2 X 34	-0114	-0754	-0914
	2 X 35	-0075	-0715	-0875			2 X 35	-0115	-0755	-0915
	2 X 36	-0076	-0716	-0876			2 X 36	-0116	-0756	-0916
	2 X 37	-0077	-0717	-0877			2 X 37	-0117	-0757	-0917
	2 X 38	-0078	-0718	-0878			2 X 38	-0118	-0758	-0918
	2 X 39	↓ -0079	↓ -0719	↓ -0879			2 X 39	↓ -0119	↓ -0759	↓ -0919
	2 X 40	90122-0080	90122-0720	90122-0880			2 X 40	90122-0120	90122-0760	90122-0920

DIM C (±0.20) ±.008 (5.75) .226

DIM D (±0.25) ±.010 (2.90) .114

DIM C (±0.20) ±.008 (5.75) .226

DIM D (±0.25) ±.010 (4.50) .177

NOTES:
FOR PLATING VARIATIONS SEE
ENG.STD. SDES-99000-0003.

REVISE PIN DIM EC NO: S2012-0325 DRWN:SKANG CHKD:ATSEE APPR:MLONG 2011/10/21 2011/10/31 2011/10/31	QUALITY SYMBOLS	GENERAL TOLERANCES (UNLESS SPECIFIED)	DIMENSION STYLE	SCALE	DESIGN UNITS	THIRD ANGLE PROJECTION															
	$\nabla_A = 0$ $\nabla_C = 0$ $\nabla_P = 0$	<table border="1"> <tr> <th></th> <th>mm</th> <th>INCH</th> </tr> <tr> <td>4 PLACES</td> <td>± ---</td> <td>± ---</td> </tr> <tr> <td>3 PLACES</td> <td>± ---</td> <td>± ---</td> </tr> <tr> <td>2 PLACES</td> <td>± 0.05</td> <td>± .002</td> </tr> <tr> <td>1 PLACE</td> <td>± ---</td> <td>± ---</td> </tr> </table>		mm	INCH	4 PLACES	± ---	± ---	3 PLACES	± ---	± ---	2 PLACES	± 0.05	± .002	1 PLACE	± ---	± ---	MM ONLY	NTS	METRIC	
		mm	INCH																		
	4 PLACES	± ---	± ---																		
3 PLACES	± ---	± ---																			
2 PLACES	± 0.05	± .002																			
1 PLACE	± ---	± ---																			
	ANGULAR ± ---°	<table border="1"> <tr> <td>DRAWN BY</td> <td>DATE</td> <td>TITLE</td> </tr> <tr> <td>DB</td> <td>16/07/87</td> <td rowspan="4"> C-GRID III DUAL ROW RIGHT ANGLE HEADER MOLEX INCORPORATED </td> </tr> <tr> <td>CHECKED BY</td> <td>DATE</td> </tr> <tr> <td>APPROVED BY</td> <td>DATE</td> </tr> <tr> <td>DB</td> <td>1987/07/16</td> </tr> </table>	DRAWN BY	DATE	TITLE	DB	16/07/87	C-GRID III DUAL ROW RIGHT ANGLE HEADER MOLEX INCORPORATED	CHECKED BY	DATE	APPROVED BY	DATE	DB	1987/07/16							
DRAWN BY	DATE	TITLE																			
DB	16/07/87	C-GRID III DUAL ROW RIGHT ANGLE HEADER MOLEX INCORPORATED																			
CHECKED BY	DATE																				
APPROVED BY	DATE																				
DB	1987/07/16																				
	DRAFT WHERE APPLICABLE MUST REMAIN WITHIN DIMENSIONS	SEE TABLE	MATERIAL NO.	DOCUMENT NO.	SHEET NO.																
			THIS DRAWING CONTAINS INFORMATION THAT IS PROPRIETARY TO MOLEX INCORPORATED AND SHOULD NOT BE USED WITHOUT WRITTEN PERMISSION																		

10 9 8 7 6 5 4 3 2 1

CIRCUIT SIZE	PLATING TYPE A PART NO.	PLATING TYPE E PART NO.	PLATING TYPE F PART NO.
2 X 1	90122-0161	90122-0801	90122-0961
2 X 2	▲ -0162	▲ -0802	▲ -0962
2 X 3	-0163	-0803	-0963
2 X 4	-0164	-0804	-0964
2 X 5	-0165	-0805	-0965
2 X 6	-0166	-0806	-0966
2 X 7	-0167	-0807	-0967
2 X 8	-0168	-0808	-0968
2 X 9	-0169	-0809	-0969
2 X 10	-0170	-0810	-0970
2 X 11	-0171	-0811	-0971
2 X 12	-0172	-0812	-0972
2 X 13	-0173	-0813	-0973
2 X 14	-0174	-0814	-0974
2 X 15	-0175	-0815	-0975
2 X 16	-0176	-0816	-0976
2 X 17	-0177	-0817	-0977
2 X 18	-0178	-0818	-0978
2 X 19	-0179	-0819	-0979
2 X 20	-0180	-0820	-0980
2 X 21	-0181	-0821	-0981
2 X 22	-0182	-0822	-0982
2 X 23	-0183	-0823	-0983
2 X 24	-0184	-0824	-0984
2 X 25	-0185	-0825	-0985
2 X 26	-0186	-0826	-0986
2 X 27	-0187	-0827	-0987
2 X 28	-0188	-0828	-0988
2 X 29	-0189	-0829	-0989
2 X 30	-0190	-0830	-0990
2 X 31	-0191	-0831	-0991
2 X 32	-0192	-0832	-0992
2 X 33	-0193	-0833	-0993
2 X 34	-0194	-0834	-0994
2 X 35	-0195	-0835	-0995
2 X 36	-0196	-0836	-0996
2 X 37	-0197	-0837	-0997
2 X 38	-0198	-0838	-0998
2 X 39	▼ -0199	▼ -0839	▼ -0999
2 X 40	90122-0200	90122-0840	90122-1000

DIM C
(±0.20)
(6.75)
±.008
.266

DIM D
(±0.25)
(4.50)
±.010
.177

NOTES:
FOR PLATING VARIATIONS SEE
ENG.STD. SDES-99000-0003.

REVISE PIN DIM EC NO: S2012-0325 DRWN:SKANG CHKD:ATSEE APPR:MLONG 2011/10/21 2011/10/31 2011/10/31	QUALITY SYMBOLS	GENERAL TOLERANCES (UNLESS SPECIFIED)	DIMENSION STYLE	SCALE	DESIGN UNITS	THIRD ANGLE PROJECTION	
	$\nabla_A=0$ $\nabla_C=0$ $\nabla_P=0$	mm INCH 4 PLACES ± --- ± --- 3 PLACES ± --- ± --- 2 PLACES ± 0.05 ± .002 1 PLACE ± --- ± --- ANGULAR ± ---°	MM ONLY	NTS	METRIC		
	DESCRIPTION	DRAFT WHERE APPLICABLE MUST REMAIN WITHIN DIMENSIONS	DRAWN BY: DB DATE: 16/07/87 CHECKED BY: DB DATE: 1987/07/16 APPROVED BY: DB DATE: 1987/07/16	TITLE	C-GRID III DUAL ROW RIGHT ANGLE HEADER		
	REV	M2	SEE TABLE	MATERIAL NO.	DOCUMENT NO.	MOLEX INCORPORATED SDA-90122	
			SIZE	THIS DRAWING CONTAINS INFORMATION THAT IS PROPRIETARY TO MOLEX INCORPORATED AND SHOULD NOT BE USED WITHOUT WRITTEN PERMISSION			
			A3	SHEET NO. 4 OF 6			

9 8 7 6 5 4 3 2 1

	10	9	8	7	6	5	4	3	2	1			
F		CIRCUIT SIZE	PLATING TYPE B PART NO.	PLATING TYPE C PART NO.	PLATING TYPE D PART NO.	PLATING TYPE G PART NO.		CIRCUIT SIZE	PLATING TYPE B PART NO.	PLATING TYPE C PART NO.	PLATING TYPE D PART NO.	PLATING TYPE G PART NO.	F
		2 X 1	90122-0281	90122-0441	90122-0601	90122-1081		2 X 1	90122-0201	90122-0361	90122-0521	90122-1001	
		2 X 2	▲ -0282	▲ -0442	▲ -0602	▲ -1082		2 X 2	▲ -0202	▲ -0362	▲ -0522	▲ -1002	
		2 X 3	-0283	-0443	-0603	-1083		2 X 3	-0203	-0363	-0523	-1003	
		2 X 4	-0284	-0444	-0604	-1084		2 X 4	-0204	-0364	-0524	-1004	
		2 X 5	-0285	-0445	-0605	-1085		2 X 5	-0205	-0365	-0525	-1005	
		2 X 6	-0286	-0446	-0606	-1086		2 X 6	-0206	-0366	-0526	-1006	
		2 X 7	-0287	-0447	-0607	-1087		2 X 7	-0207	-0367	-0527	-1007	
		2 X 8	-0288	-0448	-0608	-1088		2 X 8	-0208	-0368	-0528	-1008	
		2 X 9	-0289	-0449	-0609	-1089		2 X 9	-0209	-0369	-0529	-1009	
		2 X 10	-0290	-0450	-0610	-1090		2 X 10	-0210	-0370	-0530	-1010	
		2 X 11	-0291	-0451	-0611	-1091		2 X 11	-0211	-0371	-0531	-1011	
		2 X 12	-0292	-0452	-0612	-1092		2 X 12	-0212	-0372	-0532	-1012	
		2 X 13	-0293	-0453	-0613	-1093		2 X 13	-0213	-0373	-0533	-1013	
		2 X 14	-0294	-0454	-0614	-1094		2 X 14	-0214	-0374	-0534	-1014	
		2 X 15	-0295	-0455	-0615	-1095		2 X 15	-0215	-0375	-0535	-1015	
		2 X 16	-0296	-0456	-0616	-1096		2 X 16	-0216	-0376	-0536	-1016	
		2 X 17	-0297	-0457	-0617	-1097		2 X 17	-0217	-0377	-0537	-1017	
		2 X 18	-0298	-0458	-0618	-1098		2 X 18	-0218	-0378	-0538	-1018	
		2 X 19	-0299	-0459	-0619	-1099		2 X 19	-0219	-0379	-0539	-1019	
		2 X 20	-0300	-0460	-0620	-1100		2 X 20	-0220	-0380	-0540	-1020	
		2 X 21	-0301	-0461	-0621	-1101		2 X 21	-0221	-0381	-0541	-1021	
		2 X 22	-0302	-0462	-0622	-1102		2 X 22	-0222	-0382	-0542	-1022	
		2 X 23	-0303	-0463	-0623	-1103		2 X 23	-0223	-0383	-0543	-1023	
		2 X 24	-0304	-0464	-0624	-1104		2 X 24	-0224	-0384	-0544	-1024	
		2 X 25	-0305	-0465	-0625	-1105		2 X 25	-0225	-0385	-0545	-1025	
		2 X 26	-0306	-0466	-0626	-1106		2 X 26	-0226	-0386	-0546	-1026	
		2 X 27	-0307	-0467	-0627	-1107		2 X 27	-0227	-0387	-0547	-1027	
		2 X 28	-0308	-0468	-0628	-1108		2 X 28	-0228	-0388	-0548	-1028	
		2 X 29	-0309	-0469	-0629	-1109		2 X 29	-0229	-0389	-0549	-1029	
		2 X 30	-0310	-0470	-0630	-1110		2 X 30	-0230	-0390	-0550	-1030	
		2 X 31	-0311	-0471	-0631	-1111		2 X 31	-0231	-0391	-0551	-1031	
		2 X 32	-0312	-0472	-0632	-1112		2 X 32	-0232	-0392	-0552	-1032	
		2 X 33	-0313	-0473	-0633	-1113		2 X 33	-0233	-0393	-0553	-1033	
		2 X 34	-0314	-0474	-0634	-1114		2 X 34	-0234	-0394	-0554	-1034	
		2 X 35	-0315	-0475	-0635	-1115		2 X 35	-0235	-0395	-0555	-1035	
		2 X 36	-0316	-0476	-0636	-1116		2 X 36	-0236	-0396	-0556	-1036	
		2 X 37	-0317	-0477	-0637	-1117		2 X 37	-0237	-0397	-0557	-1037	
		2 X 38	-0318	-0478	-0638	-1118		2 X 38	-0238	-0398	-0558	-1038	
		2 X 39	▼ -0319	▼ -0479	▼ -0639	▼ -1119		2 X 39	▼ -0239	▼ -0399	▼ -0559	▼ -1039	
		2 X 40	90122-0320	90122-0480	90122-0640	90122-1120		2 X 40	90122-0240	90122-0400	90122-0560	90122-1040	

DIM
C (±0.20)
±.008
(6.75)
.266

DIM
D (±0.25)
±.010
(2.90)
.114

DIM
C (±0.20)
±.008
(5.75)
.226

DIM
D (±0.25)
±.010
(2.90)
.114

NOTES:
FOR PLATING VARIATIONS SEE
ENG.STD. SDES-99000-0003.

REVISE PIN DIM	2011/10/21	
EC NO: S2012-0325	2011/10/31	
DRWN:SKANG	2011/10/31	
CHKD:ATSEE	2011/10/31	
APPR:MLONG	2011/10/31	
REV	DESCRIPTION	
M2		

QUALITY SYMBOLS	$F_A=0$
	$F_C=0$
	$F_B=0$

GENERAL TOLERANCES (UNLESS SPECIFIED)	mm	INCH
4 PLACES	± ---	± ---
3 PLACES	± ---	± ---
2 PLACES	± 0.05	± .002
1 PLACE	± ---	± ---
ANGULAR ± ---°		
DRAFT WHERE APPLICABLE MUST REMAIN WITHIN DIMENSIONS		

DIMENSION STYLE		SCALE	DESIGN UNITS	THIRD ANGLE PROJECTION
MM ONLY		NTS	METRIC	
DRAWN BY	DATE	TITLE		
DB	16/07/87	C-GRID III DUAL ROW RIGHT ANGLE HEADER		
CHECKED BY	DATE	MOLEX INCORPORATED		
DB	1987/07/16	SDA-90122		
APPROVED BY	DATE	SHEET NO.		
DB	1987/07/16	5 OF 6		
MATERIAL NO.	DOCUMENT NO.	THIS DRAWING CONTAINS INFORMATION THAT IS PROPRIETARY TO MOLEX INCORPORATED AND SHOULD NOT BE USED WITHOUT WRITTEN PERMISSION		
SEE TABLE	SDA-90122			

	10	9	8	7	6	5	4	3	2	1			
F		CIRCUIT SIZE	PLATING TYPE B PART NO.	PLATING TYPE C PART NO.	PLATING TYPE D PART NO.	PLATING TYPE G PART NO.		CIRCUIT SIZE	PLATING TYPE B PART NO.	PLATING TYPE C PART NO.	PLATING TYPE D PART NO.	PLATING TYPE G PART NO.	F
		2 X 1	90122-0241	90122-0401	90122-0561	90122-1041		2 X 1	90122-0321	90122-0481	90122-0641	90122-1121	
		2 X 2	▲ -0242	▲ -0402	▲ -0562	▲ -1042		2 X 2	▲ -0322	▲ -0482	▲ -0642	▲ -1122	
		2 X 3	-0243	-0403	-0563	-1043		2 X 3	-0323	-0483	-0643	-1123	
		2 X 4	-0244	-0404	-0564	-1044		2 X 4	-0324	-0484	-0644	-1124	
		2 X 5	-0245	-0405	-0565	-1045		2 X 5	-0325	-0485	-0645	-1125	
		2 X 6	-0246	-0406	-0566	-1046		2 X 6	-0326	-0486	-0646	-1126	
		2 X 7	-0247	-0407	-0567	-1047		2 X 7	-0327	-0487	-0647	-1127	
		2 X 8	-0248	-0408	-0568	-1048		2 X 8	-0328	-0488	-0648	-1128	
		2 X 9	-0249	-0409	-0569	-1049		2 X 9	-0329	-0489	-0649	-1129	
		2 X 10	-0250	-0410	-0570	-1050		2 X 10	-0330	-0490	-0650	-1130	
		2 X 11	-0251	-0411	-0571	-1051		2 X 11	-0331	-0491	-0651	-1131	
		2 X 12	-0252	-0412	-0572	-1052		2 X 12	-0332	-0492	-0652	-1132	
		2 X 13	-0253	-0413	-0573	-1053		2 X 13	-0333	-0493	-0653	-1133	
		2 X 14	-0254	-0414	-0574	-1054		2 X 14	-0334	-0494	-0654	-1134	
		2 X 15	-0255	-0415	-0575	-1055		2 X 15	-0335	-0495	-0655	-1135	
		2 X 16	-0256	-0416	-0576	-1056		2 X 16	-0336	-0496	-0656	-1136	
		2 X 17	-0257	-0417	-0577	-1057		2 X 17	-0337	-0497	-0657	-1137	
		2 X 18	-0258	-0418	-0578	-1058		2 X 18	-0338	-0498	-0658	-1138	
		2 X 19	-0259	-0419	-0579	-1059		2 X 19	-0339	-0499	-0659	-1139	
		2 X 20	-0260	-0420	-0580	-1060		2 X 20	-0340	-0500	-0660	-1140	
		2 X 21	-0261	-0421	-0581	-1061		2 X 21	-0341	-0501	-0661	-1141	
		2 X 22	-0262	-0422	-0582	-1062		2 X 22	-0342	-0502	-0662	-1142	
		2 X 23	-0263	-0423	-0583	-1063		2 X 23	-0343	-0503	-0663	-1143	
		2 X 24	-0264	-0424	-0584	-1064		2 X 24	-0344	-0504	-0664	-1144	
		2 X 25	-0265	-0425	-0585	-1065		2 X 25	-0345	-0505	-0665	-1145	
		2 X 26	-0266	-0426	-0586	-1066		2 X 26	-0346	-0506	-0666	-1146	
		2 X 27	-0267	-0427	-0587	-1067		2 X 27	-0347	-0507	-0667	-1147	
		2 X 28	-0268	-0428	-0588	-1068		2 X 28	-0348	-0508	-0668	-1148	
		2 X 29	-0269	-0429	-0589	-1069		2 X 29	-0349	-0509	-0669	-1149	
		2 X 30	-0270	-0430	-0590	-1070		2 X 30	-0350	-0510	-0670	-1150	
		2 X 31	-0271	-0431	-0591	-1071		2 X 31	-0351	-0511	-0671	-1151	
		2 X 32	-0272	-0432	-0592	-1072		2 X 32	-0352	-0512	-0672	-1152	
		2 X 33	-0273	-0433	-0593	-1073		2 X 33	-0353	-0513	-0673	-1153	
		2 X 34	-0274	-0434	-0594	-1074		2 X 34	-0354	-0514	-0674	-1154	
		2 X 35	-0275	-0435	-0595	-1075		2 X 35	-0355	-0515	-0675	-1155	
		2 X 36	-0276	-0436	-0596	-1076		2 X 36	-0356	-0516	-0676	-1156	
		2 X 37	-0277	-0437	-0597	-1077		2 X 37	-0357	-0517	-0677	-1157	
		2 X 38	-0278	-0438	-0598	-1078		2 X 38	-0358	-0518	-0678	-1158	
		2 X 39	▼ -0279	▼ -0439	▼ -0599	▼ -1079		2 X 39	▼ -0359	▼ -0519	▼ -0679	▼ -1159	
		2 X 40	90122-0280	90122-0440	90122-0600	90122-1080		2 X 40	90122-0360	90122-0520	90122-0680	90122-1160	

DIM C (±0.20) ±.008 (5.75) .266

DIM D (±0.25) ±.010 (4.50) .177

DIM C (±0.20) ±.008 (6.75) .266

DIM D (±0.25) ±.010 (4.50) .177

NOTES:
FOR PLATING VARIATIONS SEE
ENG.STD. SDES-99000-0003.

REVISE PIN DIM	2011/10/21	QUALITY SYMBOLS
EC NO: S2012-0325	2011/10/31	$F_A=0$
DRWN:SKANG	2011/10/31	$F_C=0$
CHKD:ATSEE	2011/10/31	$F_B=0$
APPR:MLONG		
REV		

GENERAL TOLERANCES (UNLESS SPECIFIED)	DIMENSION STYLE	SCALE	DESIGN UNITS	THIRD ANGLE PROJECTION
	MM ONLY	NTS	METRIC	
	DRAWN BY	DATE	TITLE	
	DB	16/07/87		
	CHECKED BY	DATE		
	DB	1987/07/16		
	APPROVED BY	DATE		
	DB	1987/07/16		
	MATERIAL NO.	DOCUMENT NO.		
	SEE TABLE	SDA-90122		
	SIZE			
	A3			

4 PLACES ± --- ± ---	3 PLACES ± --- ± ---	2 PLACES ± 0.05 ± .002	1 PLACE ± --- ± ---	ANGULAR ± ---°
DRAFT WHERE APPLICABLE MUST REMAIN WITHIN DIMENSIONS				
THIS DRAWING CONTAINS INFORMATION THAT IS PROPRIETARY TO MOLEX INCORPORATED AND SHOULD NOT BE USED WITHOUT WRITTEN PERMISSION				

C-GRID III
DUAL ROW RIGHT
ANGLE HEADER
MOLEX INCORPORATED
SDA-90122
6 OF 6