

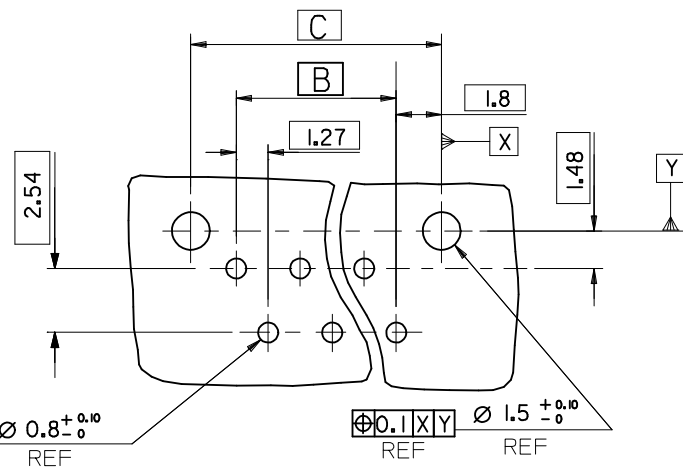
| | | | | | |
|--------------|-------------|--------|--------|--------|--------|
| 90325 - **26 | 26 | 36.80 | 31.75 | 35.35 | 37.26 |
| ↑ - **24 | 24 | 34.26 | 29.21 | 32.81 | 34.72 |
| - **22 | 22 | 31.72 | 26.67 | 30.27 | 32.18 |
| - **20 | 20 | 29.18 | 24.13 | 27.73 | 29.64 |
| - **18 | 18 | 26.64 | 21.59 | 25.19 | 27.10 |
| - **16 | 16 | 24.10 | 19.05 | 22.65 | 24.56 |
| - **14 | 14 | 21.56 | 16.51 | 20.11 | 22.02 |
| - **12 | 12 | 19.02 | 13.97 | 17.57 | 19.48 |
| - **10 | 10 | 16.48 | 11.43 | 15.03 | 16.94 |
| - **08 | 8 | 13.94 | 8.89 | 12.49 | 14.40 |
| ↓ - **06 | 6 | 11.40 | 6.35 | 9.95 | 11.86 |
| 90325 - **04 | 4 | 8.86 | 3.81 | 7.41 | 9.32 |
| PART NO. | NO. OF CKTS | DIM. A | DIM. B | DIM. C | DIM. D |

CIRCUIT No. 1 90325- * * * *

— CIRCUIT SIZE 04 CKT TO 26 CKT
 — 0 = HOUSING : COLOUR BLACK
 — 9 = HOUSING : CUSTOMER SPECIFIC (COLOUR BLACK)

- 0= 3-5um TIN ASSY
- 3= 0.6um PALLADIUM NICKEL ASSY
- 5= NON STANDARD VOIDED OPTION SEE SHEET 2 TUBED
- 6= ROUND PEG WITH KINKS OPTION SEE SHEET 3
- 7= 0.6um PALLADIUM NICKEL, TUBED
- 9= 3-5um TIN ASSY TUBED

PCB LAYOUT VIEWED FROM SOLDER SIDE.
 BOARD 1.60±0.14 THK



INSPECTION NUMBERS USED ON SHEET 1: 1-20
 LAST INSPECTION NUMBER USED: 9

NOTES:

1. HOUSING MATL. POLYESTER PBT 15% GLASS FILLED TO UL94V-0.
2. TER. MATL. BRASS 0.28 THK
 PLATING. TIN: 1.27um MIN NICKEL
 UNDER 3-5um TIN
 PLATING PALLADIUM NICKEL (PdNi): 1.27um MIN. NICKEL
 UNDER 3-5um SELECTIVE TIN AND
 0.6um PdNi UNDER 0.05um GOLD FLASH
3. CONFORMS TO PRODUCT SPECIFICATION PS-99020-0011
4. PACKAGING SPECIFICATION: PK-90325-001

| | | |
|--|-----------------|-------------|
| REMOVED GOLD OPTION ADDED NOTE 4 EC NO: IPG2012-0576 2011/10/27 DRW:DBYRMS 2011/03/29 CHKD:SMCGREVVY 2012/07/17 APPR:EFOLAN 2012/07/17 AR | QUALITY SYMBOLS | DESCRIPTION |
| | ▽=0 ◻=0 | |

| | | | | |
|--|-----------------|------------|--------------------|------------------------|
| GENERAL TOLERANCES (UNLESS SPECIFIED) | DIMENSION STYLE | SCALE | DESIGN UNITS | THIRD ANGLE PROJECTION |
| mm INCH | MM ONLY | 5:1 | METRIC | ☉ |
| 4 PLACES ± --- ± --- | DRAWN BY | DATE | TITLE | |
| 3 PLACES ± --- ± --- | DMCN | 2001/05/29 | HEADER ASSEMBLY | |
| 2 PLACES ± 0.20 ± --- | CHECKED BY | DATE | | |
| 1 PLACE ± 0.20 ± --- | ROCONNOR | 2001/05/29 | | |
| ANGULAR ± 1/2° | APPROVED BY | DATE | | |
| | MWILHITE | 2001/05/29 | | |
| DRAFT WHERE APPLICABLE MUST REMAIN WITHIN DIMENSIONS | MATERIAL NO. | SEE CHART | MOLEX INCORPORATED | |
| | SIZE | A3 | DOCUMENT NO. | SHEET NO. |
| | | | SDA-90325 | 1 OF 3 |

| | |
|---|--|
| THIS DRAWING CONTAINS INFORMATION THAT IS PROPRIETARY TO MOLEX INCORPORATED AND SHOULD NOT BE USED WITHOUT WRITTEN PERMISSION | |
|---|--|