

F

E

D

C

B

A

F

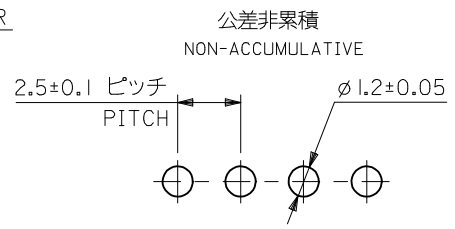
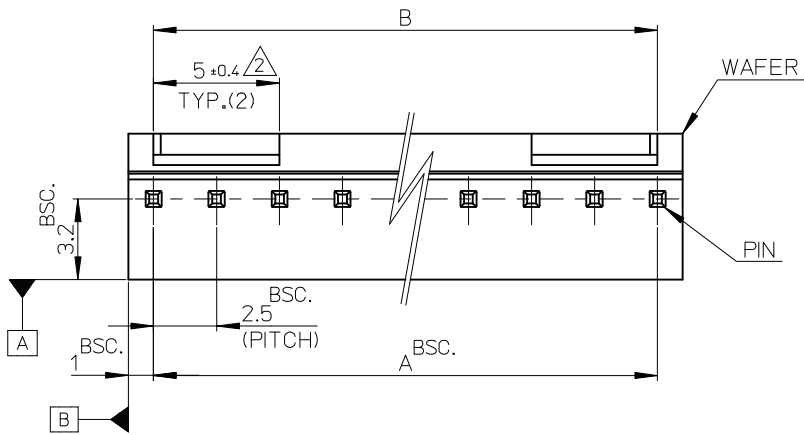
E

D

C

B

A



基板取付穴推奨寸法
RECOMMENDED P.C.BOARD HOLE DIM.

注)
NOTE.

1. 材料

MATERIAL

ピン : □0.635×14.2 黄銅、ニッケル下地金メッキ
PIN: 0.635×14.2 BRASS Au OVER NICKEL PLATING.
ウェハー: ポリアミド、UL94V-0
WAFER: POLYAMIDE ,UL94V-0

2 6極以上に適用

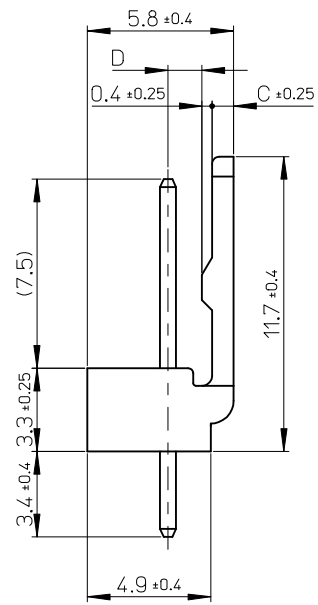
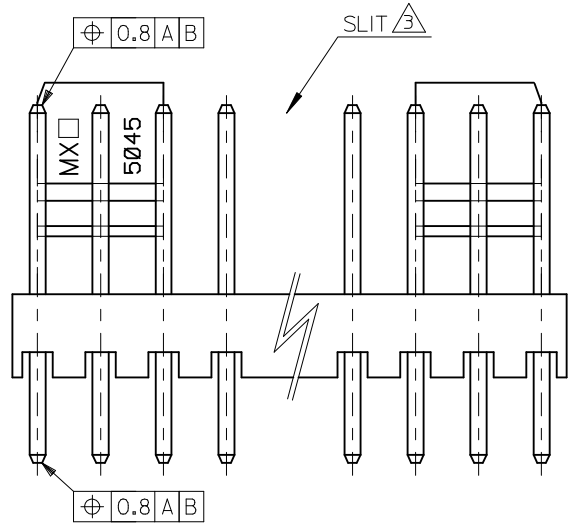
TO BE APPLIED FOR 6 CKT. AND MORE THEN 6 CKT.

3 5極以下はロック部スリットなし

NO SLIT IS PROVIDED FOR 5 CKT. AND LESS THAN 5 CKT.

4. ELV 及び RoHS 適合品

ELV AND RoHS COMPLIANT



1.35	0.85	47.5 ^{+0.3} _{-0.45}	47.5	22	11	1201	20
↑	↑	45 ^{+0.3} _{-0.45}	45	↑	↑	1191	19
		42.5 ^{+0.3} _{-0.45}	42.5			1181	18
		40 ^{+0.3} _{-0.45}	40			1171	17
		37.5 ^{+0.3} _{-0.45}	37.5			1161	16
		35 ^{+0.3} _{-0.45}	35			1151	15
		32.5 ^{+0.3} _{-0.45}	32.5			1141	14
		30 ^{+0.25} _{-0.4}	30			1131	13
		27.5 ^{+0.25} _{-0.4}	27.5			1121	12
		25 ^{+0.2} _{-0.4}	25			1111	11
		22.5 ^{+0.2} _{-0.4}	22.5			1101	10
		20 ^{+0.15} _{-0.35}	20			1091	9
		17.5 ^{+0.15} _{-0.35}	17.5			1081	8
		15 ^{+0.1} _{-0.3}	15			1071	7
		12.5 ^{+0.1} _{-0.3}	12.5			1061	6
		10 ^{+0.1} _{-0.3}	10			1051	5
↓	↓	7.5 ^{+0.1} _{-0.3}	7.5			1041	4
1.35	0.85	5 ^{+0.15} _{-0.3}	5	↓	↓	1031	3
1.2	1	2.5 ^{+0.15} _{-0.3}	2.5	22	11	1021	2
D	C	B	A	ORDER No.		極数	CKT.

MODEL No. : 5045-***AG

REDRAWN & REVISED EC NO: J2014-0920 DRWNR:HORI 2013/11/25 CHKD:KASAKAWA 2013/11/28 APPR:NUKITA 2013/11/28	GENERAL TOLERANCES (UNLESS SPECIFIED)		DIMENSION STYLE MM ONLY		SCALE 5:1	DESIGN UNITS METRIC	THIRD ANGLE PROJECTION		
	10 UNDER ±0.2	10 OVER 30 UNDER ±0.25	30 OVER ±0.3	DRAWN BY Y.MIZUNO	DATE 1990/03/23	TITLE KK2.5 WAFER ASSY WITH LOCK ENGLISH ONLY			
	ANGULAR ±3 °			APPROVED BY M.ENOMOTO	DATE 1991/12/10	DOCUMENT NO. SD-5045-001			
	DRAFT WHERE APPLICABLE MUST REMAIN WITHIN DIMENSIONS			MATERIAL NO. SEE CHART		SHEET NO. 1 OF 1			