

基板取付穴推奨寸法  
RECOMMENDED P.C.BOARD HOLE DIM.

注)  
NOTE.

1. 材料

MATERIAL

ピン : □0.635×14.2 黄銅、ニッケル下地金メッキ  
PIN: 0.635×14.2 BRASS Au OVER NICKEL PLATING.  
ウェハー: ポリアミド, UL94V-0  
WAFER: POLYAMIDE, UL94V-0

2 6極以上に適用

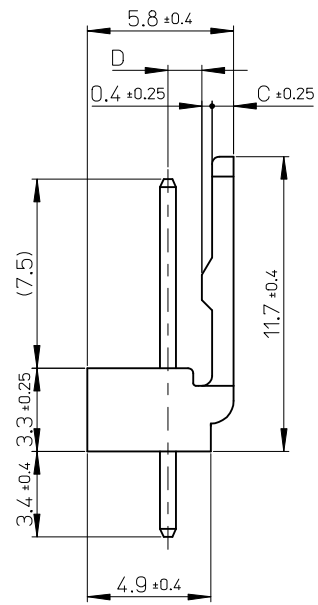
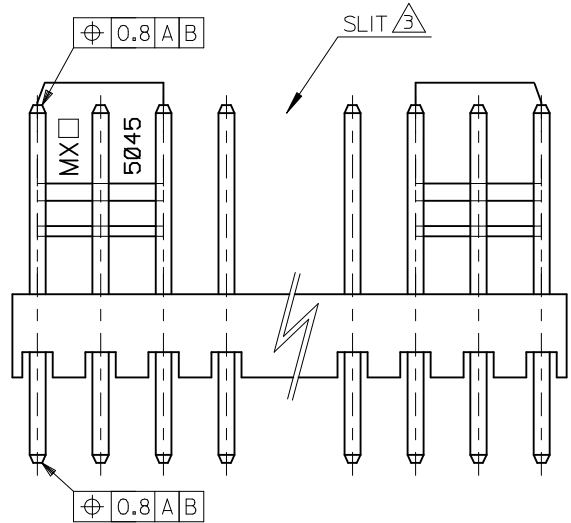
TO BE APPLIED FOR 6 CKT. AND MORE THEN 6 CKT.

3 5極以下はロック部スリットなし

NO SLIT IS PROVIDED FOR 5 CKT. AND LESS THAN 5 CKT.

4. ELV 及び RoHS 適合品

ELV AND RoHS COMPLIANT



1.35	0.85	47.5 <sup>+0.3</sup> <sub>-0.45</sub>	47.5	22	11	1201	20
↑	↑	45 <sup>+0.3</sup> <sub>-0.45</sub>	45	↑	↑	1191	19
		42.5 <sup>+0.3</sup> <sub>-0.45</sub>	42.5			1181	18
		40 <sup>+0.3</sup> <sub>-0.45</sub>	40			1171	17
		37.5 <sup>+0.3</sup> <sub>-0.45</sub>	37.5			1161	16
		35 <sup>+0.3</sup> <sub>-0.45</sub>	35			1151	15
		32.5 <sup>+0.3</sup> <sub>-0.45</sub>	32.5			1141	14
		30 <sup>+0.25</sup> <sub>-0.4</sub>	30			1131	13
		27.5 <sup>+0.25</sup> <sub>-0.4</sub>	27.5			1121	12
		25 <sup>+0.2</sup> <sub>-0.4</sub>	25			1111	11
		22.5 <sup>+0.2</sup> <sub>-0.4</sub>	22.5			1101	10
		20 <sup>+0.15</sup> <sub>-0.35</sub>	20			1091	9
		17.5 <sup>+0.15</sup> <sub>-0.35</sub>	17.5			1081	8
		15 <sup>+0.1</sup> <sub>-0.3</sub>	15			1071	7
		12.5 <sup>+0.1</sup> <sub>-0.3</sub>	12.5			1061	6
		10 <sup>+0.15</sup> <sub>-0.3</sub>	10			1051	5
↓	↓	7.5 <sup>+0.15</sup> <sub>-0.3</sub>	7.5			1041	4
1.35	0.85	5 <sup>+0.15</sup> <sub>-0.3</sub>	5	↓	↓	1031	3
1.2	1	2.5 <sup>+0.15</sup> <sub>-0.3</sub>	2.5	22	11	1021	2
D	C	B	A	ORDER No.			極数

MODEL No. : 5045-\*\*\*AG

<b>REDRAWN &amp; REVISED</b> EC NO.: J2014-0920 DRWNR:HORI 2013/11/25 CHKD:KASAKAWA 2013/11/28 APPR:NUKITA 2013/11/28	GENERAL TOLERANCES (UNLESS SPECIFIED)		DIMENSION STYLE <b>MM ONLY</b>		SCALE <b>5:1</b>	DESIGN UNITS <b>METRIC</b>	THIRD ANGLE PROJECTION		
	10 UNDER ±0.2	10 OVER 30 UNDER ±0.25	30 OVER ±0.3	DRAWN BY Y.MIZUNO	DATE 1990/03/23	TITLE <b>KK2.5 WAFER ASSY WITH LOCK ENGLISH ONLY</b>			
	ANGULAR ±3 °			APPROVED BY M.ENOMOTO	DATE 1991/12/10	DOCUMENT NO. <b>SD-5045-001</b>			
	DRAFT WHERE APPLICABLE MUST REMAIN WITHIN DIMENSIONS			MATERIAL NO. <b>SEE CHART</b>	SHEET NO. 1 OF 1				