

PART NUMBER:
90156-XXXX

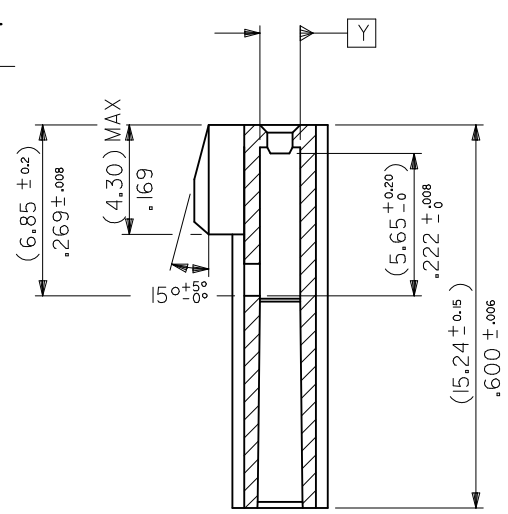
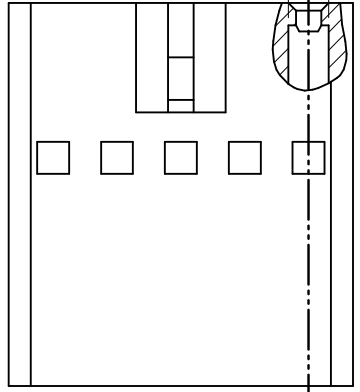
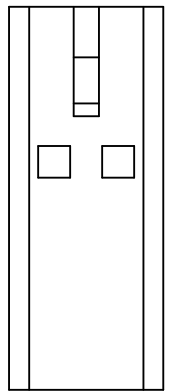
CIRCUIT SIZE
REF. NO
(SEE CHART)

MATERIAL CODE :
SEE NOTE 1

No.OF CKTS	PART NUMBER	DIM A	DIM B
2	90156-XX42	(2.54) / .100	(6.14) / .342
3	-XX43	(5.08) / .200	(8.68) / .342
4	-XX44	(7.62) / .300	(11.22) / .442
5	-XX45	(10.16) / .400	(13.76) / .542
6	-XX46	(12.70) / .500	(16.30) / .642
7	-XX47	(15.24) / .600	(18.84) / .742
8	-XX48	(17.78) / .700	(21.38) / .842
9	-XX49	(20.32) / .800	(23.92) / .942
10	-XX50	(22.86) / .900	(26.46) / 1.042
11			
12	-XX52	(27.94) / 1.100	(31.54) / 1.242
13	-XX53	(30.48) / 1.200	(34.08) / 1.342
14	-XX54	(33.02) / 1.300	(36.62) / 1.442
15	-XX55	(35.56) / 1.400	(39.16) / 1.542
16	-XX56	(38.10) / 1.500	(41.70) / 1.642
17			
18	-XX58	(43.18) / 1.700	(46.78) / 1.842
19			
20	-XX60	(48.26) / 1.900	(51.86) / 2.042
21			
22	-XX62	(53.34) / 2.100	(56.94) / 2.242
23			
24			
25	-XX65	(60.96) / 2.400	(64.56) / 2.542
26			
27			
28			
29			
30	-XX70	(73.66) / 2.900	(77.26) / 3.042
31			
32	90156-XX72	(78.74) / 3.100	(82.34) / 3.242

2 & 3
CIRCUITS

4 TO 32
CIRCUITS



NOTES:
1 MATERIAL CODE XX: 90156 - XX** :
01-POLYPHENYLENE OXIDE (PPO) UL 94 V-1 COLOUR BLACK
10-GLOW WIRE OPTION POLYESTER (PBT) UL94 V-2 COLOUR NATURAL
2. PRODUCT SPECIFICATION: PS-99020-0001

NOTE FOR GATE LOC
EC NO: S2016-0383
2015/10/22
DRWN:CGOH
CHKD:DEANG
2015/11/04
APPR:KHLIM
2015/11/05

QUALITY SYMBOLS	GENERAL TOLERANCES (UNLESS SPECIFIED)	
	mm	INCH
F _A = 0	4 PLACES ± ---	± ---
F _C = 0	3 PLACES ± ---	± .004
F _D = 0	2 PLACES ± 0.20	± ---
	1 PLACE ± ---	± ---
	0 PLACE ± ---	± ---

ANGULAR ± 2 °
DRAFT WHERE APPLICABLE MUST REMAIN WITHIN DIMENSIONS

DIMENSION STYLE		SCALE	DESIGN UNITS	THIRD ANGLE PROJECTION
MM/IN		NTS	METRIC	
DRAWN BY	DATE	TITLE		
GMC SWEEN	2004/05/07	C GRID III SINGLE ROW CRIMP CONNECTOR HOUSING		
CHECKED BY	DATE			
JDENNEHY	2004/05/13			
APPROVED BY	DATE			
KHLIM	2015/11/05			
MATERIAL NO.	DOCUMENT NO.	SHEET NO.		
SEE TABLE	SDA-90156	1 OF 1		

THIS DRAWING CONTAINS INFORMATION THAT IS PROPRIETARY TO MOLEX INCORPORATED AND SHOULD NOT BE USED WITHOUT WRITTEN PERMISSION