

基板取付穴推奨寸法 (t=0.8)  
RECOMMENDED P.C.BOARD HOLE DIM.(t=0.8)

適合ターミナル  
APPLICABLE TERMINAL

注記  
NOTE

- △ 適合ターミナル : 50061-8\*00  
50080-8\*00
- △ APPLICABLE TERMINAL : 50061-8\*00  
50080-8\*00

17.5	19.3	51022-1500	15
16.25	18.05	-1400	14
15	16.8	-1300	13
13.75	15.55	-1200	12
12.5	14.3	-1100	11
11.25	13.05	-1000	10
10	11.8	-0900	9
8.75	10.55	-0800	8
7.5	9.3	-0700	7
6.25	8.05	-0600	6
5	6.8	-0500	5
3.75	5.55	-0400	4
2.5	4.3	-0300	3
1.25	3.05	51022-0200	2
B	A	ENG. NO.	種数 CKT.NO.

材料 POLYESTER, UL94V-0		MATERIAL POLYESTER, UL94V-0	
仕上げ FINISH		—	
適用電線範囲 WIRE RANGE		—	
被覆外径 INS. RANGE		—	
DRAWN BY '96/05/29 H.IIJIJIMA		CHK'D BY '96/05/29 M.FUKUSHIMA	
APP'D BY '96/05/29 M.ENOMOTO		DATE	
REVISION RECORD		DATE	
REVISION RECORD		DATE	
REVISION RECORD		DATE	
REVISION RECORD		DATE	

角度 ANGLE	$\pm 3^\circ$
30 以上 OVER	$\pm 0.3$
10 以上 30 未満 OVER UNDER	$\pm 0.25$
10 未満 UNDER	$\pm 0.2$
一般公差 GENERAL TOLERANCES	

molex MOLEX-JAPAN CO.,LTD. 日本モレックス株式会社	
REVISE ONLY ON CAD SYSTEM	
TITLE 名称	
1.25 BOARD IN CONN. HOUSING	
DWG. NO.	REV
SD-5 1022-**-**00	C

10 9 8 7 6 5 4 3 2 1

F

E

D

C

B

A

F

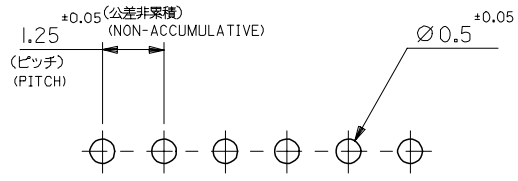
E

D

C

B

A

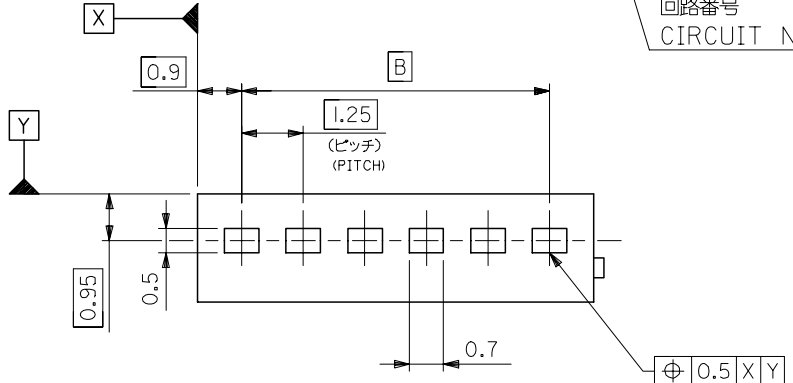
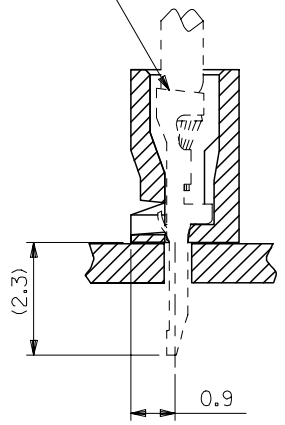
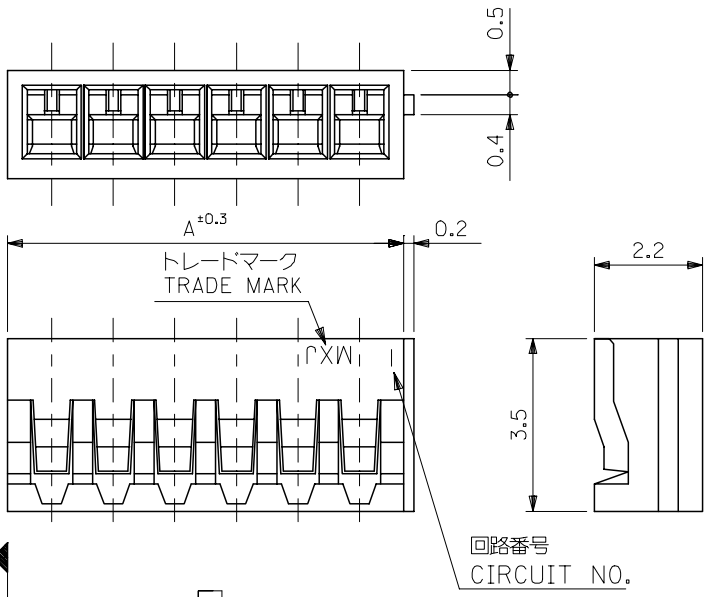


基板取付穴推奨寸法 (t=0.8)  
RECOMMENDED P.C.BOARD HOLE DIM.(t=0.8)

適合ターミナル  
APPLICABLE TERMINAL

注記  
NOTE

- △ 適合ターミナル : 50061-8\*00  
50080-8\*00
- △ APPLICABLE TERMINAL : 50061-8\*00  
50080-8\*00



17.5	19.3	51022-1500	15
16.25	18.05	-1400	14
15	16.8	-1300	13
13.75	15.55	-1200	12
12.5	14.3	-1100	11
11.25	13.05	-1000	10
10	11.8	-0900	9
8.75	10.55	-0800	8
7.5	9.3	-0700	7
6.25	8.05	-0600	6
5	6.8	-0500	5
3.75	5.55	-0400	4
2.5	4.3	-0300	3
1.25	3.05	51022-0200	2
B	A	ENG. NO.	種数 CKT.NO.

材料 MATERIAL	ポリエステル, UL94V-0 POLYESTER, UL94V-0
仕上げ FINISH	-
適用電線範囲 WIRE RANGE	-
被覆外径 INS. RANGE	-

REVISED	2006/04/05
EC NO: J2006-2413	2006/04/06
DRWN: AOHYAGI	2006/04/06
CHKD: TANAKA	2006/04/12
APPR: NUKITA	
DESCRIPTION	
REV	D

GENERAL TOLERANCES (UNLESS SPECIFIED)	
10 UNDER	± 0.2
10 OVER 30 UNDER	± 0.25
30 OVER	± 0.3
ANGULAR	± 3 °
DRAFT WHERE APPLICABLE MUST REMAIN WITHIN DIMENSIONS	

DIMENSION STYLE MM ONLY	
DRAWN BY	DATE
H. IJIMA	1996/05/29
CHECKED BY	DATE
M. FUKUSHIMA	1996/05/29
APPROVED BY	DATE
M. ENOMOTO	1996/05/29
MATERIAL NO.	
SEE CHART	
SIZE	
A3	

SCALE	DESIGN UNITS	THIRD ANGLE PROJECTION	
10:1	METRIC		
TITLE 1.25 BOARD IN CONN HSG			
MOLEX INCORPORATED		DOCUMENT NO.	SHEET NO.
SD-51022-001			1 OF 1
THIS DRAWING CONTAINS INFORMATION THAT IS PROPRIETARY TO MOLEX INCORPORATED AND SHOULD NOT BE USED WITHOUT WRITTEN PERMISSION			