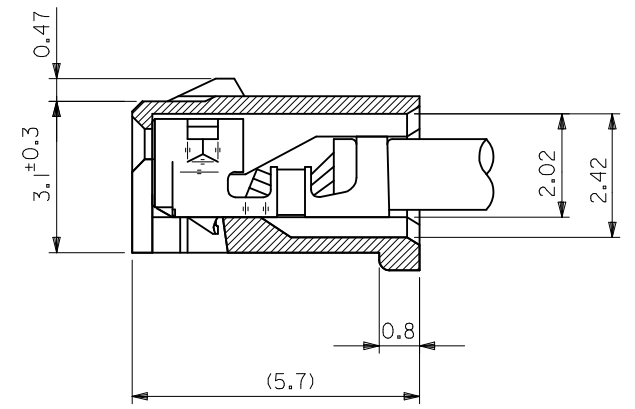
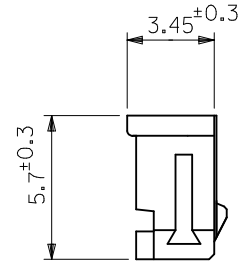
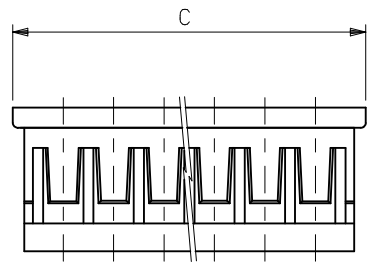
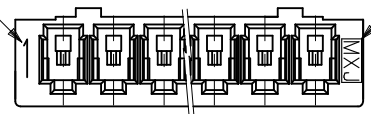


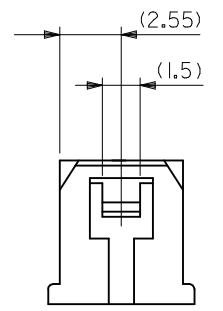
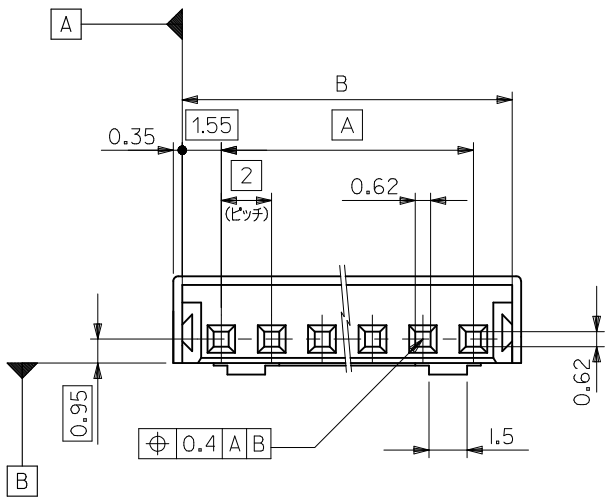
10 9 8 7 6 5 4 3 2 1

回路番号
CIRCUIT NO.

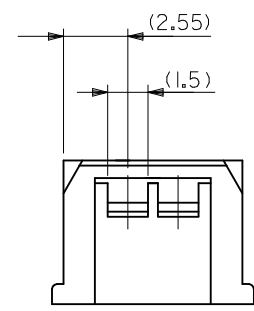
⑤
トレードマーク
TRADE MARK



ターミナル装着状態図
TERMINAL ASSEMBLY DRAWING
(10:1)



2極の場合
IN CASE OF
2 CIRCUIT HSG.



3極の場合
IN CASE OF
3 CIRCUIT HSG.

31.8	31.1	28	51065-150*	15
29.8	29.1	26	-140*	14
27.8	27.1	24	-130*	13
25.8	25.1	22	-120*	12
23.8	23.1	20	-110*	11
21.8	21.1	18	-100*	10
19.8	19.1	16	-090*	9
17.8	17.1	14	-080*	8
15.8	15.1	12	-070*	7
13.8	13.1	10	-060*	6
11.8	11.1	8	-050*	5
9.8	9.1	6	-040*	4
7.8	7.1	4	-030*	3
5.8	5.1	2	51065-020*	2
C	B	A	PLASTIC BAG	極数
			オーダー番号 ORDER NO.	CIRCUITS

CONNECTOR SERIES NO. 51065-***0*

REVISED EC NO: J2014-0578 DRWN: YWAKE 2013/09/27 CHKD: KASAKAWA 2013/09/27 APPR: NUKITA 2013/10/02	GENERAL TOLERANCES (UNLESS SPECIFIED)		DIMENSION STYLE MM ONLY		SCALE 5:1	DESIGN UNITS METRIC	THIRD ANGLE PROJECTION
	10 UNDER	±0.2	DRAWN BY S. AIHARA	DATE '89/09/21	TITLE NEW 2.0 WIRE TO BOARD CONN RECEPTACLE HOUSING		
	10 OVER 30 UNDER	±0.25	CHECKED BY M. FUKUSHIMA	DATE '90/01/18			
	30 OVER	±0.3	APPROVED BY M. ENOMOTO	DATE '90/01/18			
ANGULAR	±3 °	MATERIAL NO.		DOCUMENT NO.		SHEET NO.	
DRAFT WHERE APPLICABLE MUST REMAIN WITHIN DIMENSIONS		SIZE A3		SEE CHART			SD-51065-004
THIS DRAWING CONTAINS INFORMATION THAT IS PROPRIETARY TO MOLEX INCORPORATED AND SHOULD NOT BE USED WITHOUT WRITTEN PERMISSION							

9 8 7 6 5 4 3 2

注記 NOTES

- 適合ターミナル : 50212 , 50372 シリーズ
APPLICABLE TERMINAL : 50212 , 50372 SERIES
- 嵌合相手 : 53253 , 53254 シリーズ
MATE WITH : 53253 , 53254 SERIES
- 材質 : PBT , UL94V-0
MATERIAL : PBT , UL94V-0

△ オーダー番号 ORDER NO.

51065-***0*

極数
CIRCUIT SIZE

色番号
COLOR CODE

0	自然色 (白) NATURAL (WHITE)
1	黒 BLACK
2	赤 RED
3	黄 YELLOW
4	青 BLUE
6	緑 GREEN

△

トレードマーク :M プラス 1~2 文字の製造工場を示すアルファベットにて構成。但し、"J"は JAPAN を示す。(例 MXJ)
FORMED BY M AND FROM 1 TO 2 MORE LETTER OF ALPHABET WHICH MEAN THE MANUFACTORY.
BUT "J" MEANS JAPAN. (TO TRADE MARK) (e.g. MXJ).

31.8	31.1	28					51065-1501	51065-1500	15	
29.8	29.1	26					51065-1401	51065-1400	14	
27.8	27.1	24					51065-1301	51065-1300	13	
25.8	25.1	22						51065-1200	12	
23.8	23.1	20						51065-1100	11	
21.8	21.1	18						51065-1000	10	
19.8	19.1	16						51065-0900	9	
17.8	17.1	14						51065-0800	8	
15.8	15.1	12			51065-0704			51065-0700	7	
13.8	13.1	10				51065-0603	51065-0602	51065-0600	6	
11.8	11.1	8						51065-0500	5	
9.8	9.1	6				51065-0403	51065-0402	51065-0400	4	
7.8	7.1	4			51065-0304		51065-0302	51065-0301	51065-0300	3
5.8	5.1	2	51065-0206	51065-0204	51065-0203	51065-0202	51065-0201	51065-0200	2	
C	B	A	GREEN	BLUE	YELLOW	RED	BLACK	NATURAL	極数	

△ オーダー番号 ORDER NO.

CIRCUITS

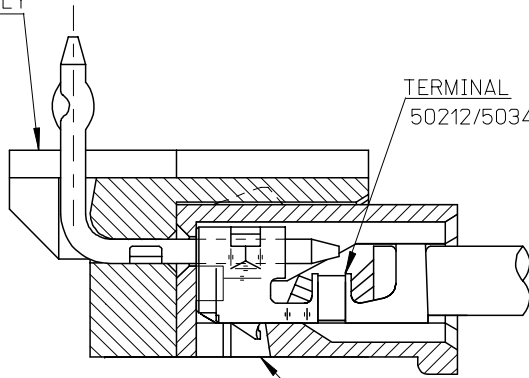
CONNECTOR SERIES NO. 51065-***0*

REVISED EC NO.: J2014-0578 DRWN: YMAKE 2013/09/27 CHKD: KASAKAWA 2013/09/27 APPR: NUKIITA 2013/10/02	GENERAL TOLERANCES (UNLESS SPECIFIED)		DIMENSION STYLE MM ONLY		SCALE 5:1	DESIGN UNITS METRIC	THIRD ANGLE PROJECTION
	10 UNDER	± 0.2	DRAWN BY S. AIHARA	DATE '89/09/21	TITLE NEW 2.0 WIRE TO BOARD CONN RECEPTACLE HOUSING		
	10 OVER 30 UNDER	± 0.25	CHECKED BY M. FUKUSHIMA	DATE '90/01/18	molex		
	30 OVER	± 0.3	APPROVED BY M. ENOMOTO	DATE '90/01/18			
	ANGULAR	± 3 °	MATERIAL NO.		DOCUMENT NO.	SHEET NO.	
DRAFT WHERE APPLICABLE MUST REMAIN WITHIN DIMENSIONS		SEE CHART		SD-51065-004		2 OF 2	
		SIZE A3		THIS DRAWING CONTAINS INFORMATION THAT IS PROPRIETARY TO MOLEX INCORPORATED AND SHOULD NOT BE USED WITHOUT WRITTEN PERMISSION			

10 9 8 7 6 5 4 3 2 1

F

HEADER HOUSING ASSEMBLY
53254SERIES



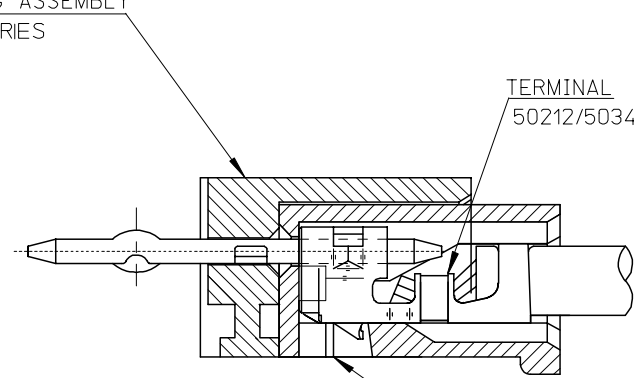
TERMINAL
50212/50346 SERIES

RECEPTACLE HOUSING
51065 SERIES

51065シリーズ/53254シリーズ 嵌合状態図 参考
51065 SERIES/53254 SERIES MATED DRAWING (REF.)

F

HEADER HOUSING ASSEMBLY
53253SERIES



TERMINAL
50212/50346 SERIES

RECEPTACLE HOUSING
51065 SERIES

51065シリーズ/53253シリーズ 嵌合状態図 参考
51065 SERIES/53253 SERIES MATED DRAWING (REF.)

E

E

D

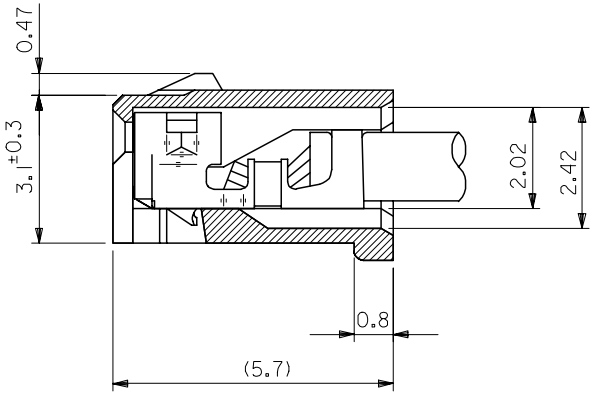
D

C

C

B

B



ターミナル装着状態図
TERMINAL ASS'Y DWG.

RELEASED EC NO: J2008-2041 DRWN: AOYAGI 2007/11/21 CHKD: THARUYAMA 2007/11/22 APPR: NUKITA 2007/11/22	GENERAL TOLERANCES (UNLESS SPECIFIED)		DIMENSION STYLE MM ONLY	SCALE 10:1	DESIGN UNITS METRIC	THIRD ANGLE PROJECTION
	10 UNDER	±0.2	DRAWN BY Y. AOYAGI	DATE 2007/11/13	TITLE NEW 2.0 W/B CONN. 51065/53253OR51065/53254	
	10 OVER 30 UNDER	±0.25	CHECKED BY N. UKITA	DATE 2007/11/13	MOLEX INCORPORATED	
	30 OVER	±0.3	APPROVED BY N. UKITA	DATE 2007/11/13		
	ANGULAR	±1 °	MATERIAL NO.	SEE TABLE	DOCUMENT NO. SD-51065-006	SHEET NO. 1 OF 1
DRAFT WHERE APPLICABLE MUST REMAIN WITHIN DIMENSIONS		SIZE A3	THIS DRAWING CONTAINS INFORMATION THAT IS PROPRIETARY TO MOLEX INCORPORATED AND SHOULD NOT BE USED WITHOUT WRITTEN PERMISSION			

9

8

7

6

5

4

3

2