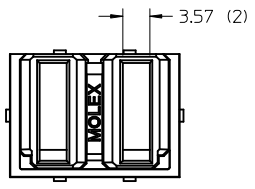
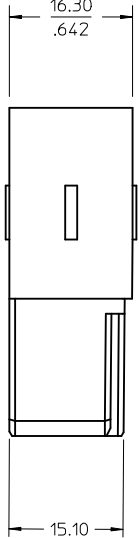
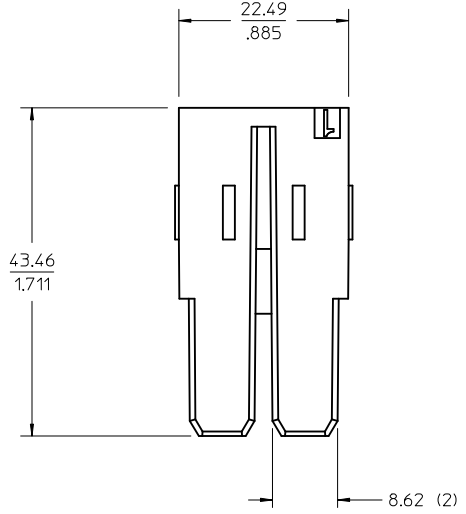
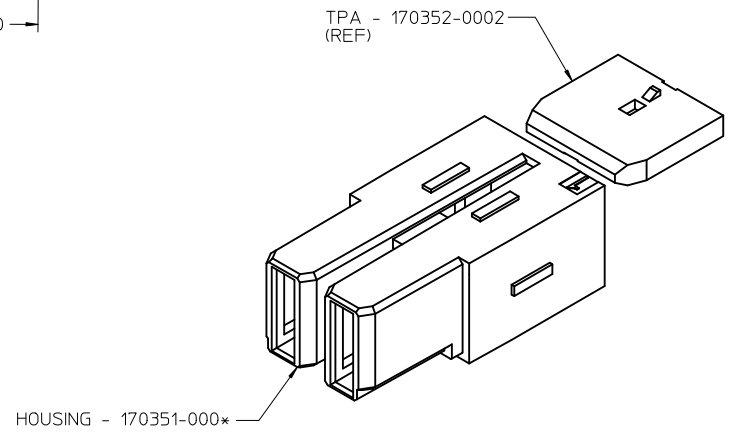


ITEM NO	PART NUMBER	DESCRIPTION
1	170351-0002	FOR 8-10 AWG WIRE
2	170351-0003	FOR 6 AWG WIRE



- NOTES:
1. MATERIAL: PBT UNFILLED 89992-0074
COLOR: BLACK
 2. HOUSING FOR USE WITH TERMINAL SERIES 46819
AND CABLE ASSEMBLY SERIES 68790.
 3. REQUIRES TPA SD-170352-0002 TO SECURE TERMINALS
 4. HOUSING IS ROHS COMPLIANT
 5. TPA MUST BE USED WITH HOUSING
 6. TPA IS TO BE ORDERED SEPARATELY
 7. DO NOT INSERT THE TPA INTO CRIMP HOUSING UNTIL THE
CRIMP TERMINAL WITH WIRES HAS BEEN INSERTED



ADD NOTES/REV VIEW EC NO: UCP2012-3786 DRWN: JUILLES 2012/05/22 CHKD: MKARADIMAS 2012/05/22 APPR: APATEL 2012/06/01	QUALITY SYMBOLS ▽=0 ▽=0 ▽=0	GENERAL TOLERANCES (UNLESS SPECIFIED)		DIMENSION STYLE MM ONLY		SCALE 2:1	DESIGN UNITS METRIC	THIRD ANGLE PROJECTION		
				DRAWN BY MKARADIMAS	DATE 2011/08/10	GUARDIAN CRIMP RECEPTACLE HOUSING 2 CKT				
				CHECKED BY APATEL	DATE 2011/08/10					
				APPROVED BY APATEL		DATE 2012/01/09	MOLEX INCORPORATED		SD-170351-0002	
REV D	DESCRIPTION	ANGULAR ±1/2°		SEE CHART		MATERIAL NO. SD-170351-0002	DOCUMENT NO.	SHEET NO. 1 OF 1		
DRAFT WHERE APPLICABLE MUST REMAIN WITHIN DIMENSIONS		THIS DRAWING CONTAINS INFORMATION THAT IS PROPRIETARY TO MOLEX INCORPORATED AND SHOULD NOT BE USED WITHOUT WRITTEN PERMISSION								