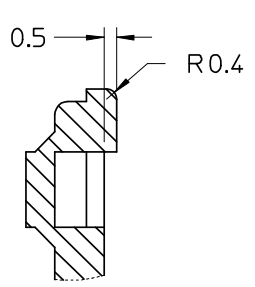
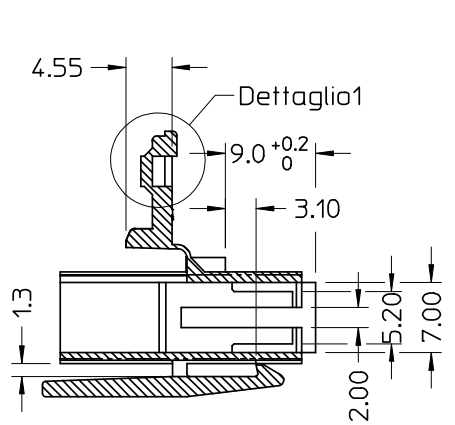
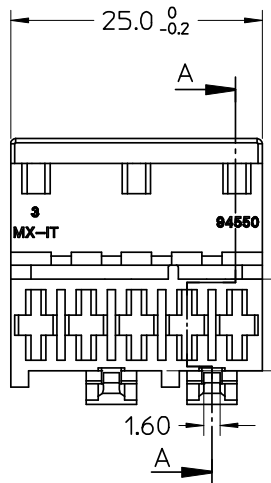
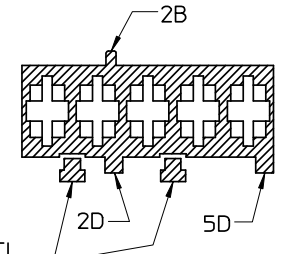


10 9 8 7 6 5 4 3 2 1

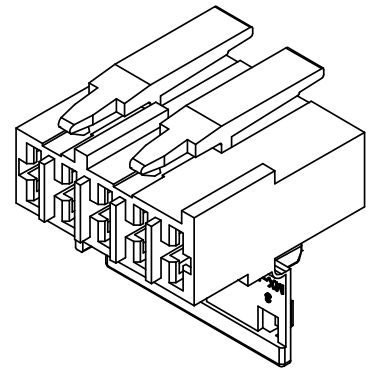


Dettaglio1
SCALA 5:1

CONFIGURAZIONE POLARIZZAZIONI
POLARIZATION CONFIGURATION

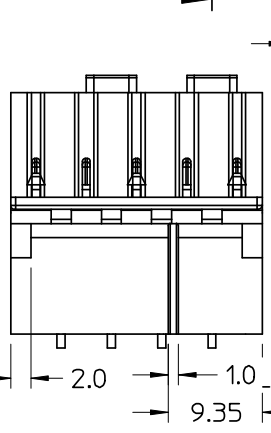


AGGANCI
LATCHES
SEZ: C-C



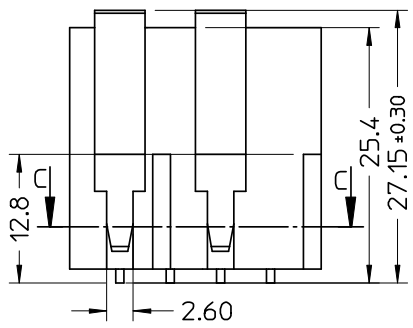
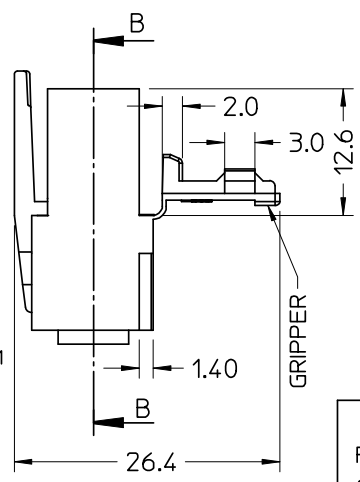
- NOTE:
- USATO CON TERMINALE 94518-0XXX E 94549-0XXX
 - SPECIFICA DI RIFERIMENTO PER IL CONNETTORE PS-94550-001
 - PER CARATTERISTICHE DI CRIMPATURA RIF. SD-94518-005 E SD-94549-001
 - FORZA DI DISACCOPIAMENTO CONNETTORE (TRAZIONANDO DAI CAVI SENZA AZIONARE L'AGGANCI): 60 N MIN.
 - SPESSORE MIN. PARETI CONNETTORE 0.40 mm.

- NOTE:
- USED WITH TERMINALS 94518-0XXX AND 94549-0XXX
 - REFER TO PS-94550-001 FOR CONNECTOR SPECIFICATION
 - REFER TO SD-94518-005 AND SD-94549-001 FOR CRIMPING CHARACTERISTICS
 - CONNECTOR DISENGAGEMENT FORCE (PULLING BY THE WIRES, WITHOUT ACTUATING THE LATCH): 60 N MIN.
 - MINIMUM CONNECTOR WALL THICKNESS 0.40 mm.
- CONFEZIONE: Box da 1300 Pz.
PACKAGING: 1300 pcs in carton box



SEZ: A-A

SEZ: B-B



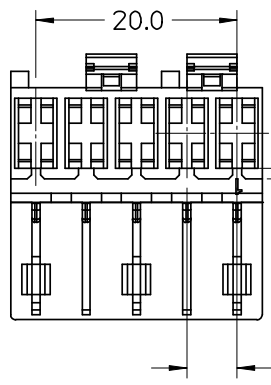
* AGENCY
RECOGNIZATIONS
CSA (file LR19980)
UL (file E-29179)

P/N	MATERIAL/COLOR
*94550-9005	NYLON 6.6 V0 NATURAL
94550-4005	NYLON 6.6 GWT 750 °C sec.IEC 60335-1 TEST METHOD IEC 60695-2-11 NATURAL

SPQ =1300

Std. Descr: "HSG W/SEC LOCK AND EXT LATCHES 5 CKT _____ COLOR"

EC NO: Z2006-0056 DRWN:FGOTTARD2005/10/14 CHKD:RSANDANI2005/10/14 APPR:GZUIN 2005/10/17	QUALITY SYMBOLS	GENERAL TOLERANCES (UNLESS SPECIFIED)	SCALE 2:1	DESIGN UNITS METRIC	FIRST ANGLE PROJECTION	REVISE ON CAD ONLY
	▲ = 0 ▽ = 0	mm	INCH	DIMENSION STYLE MM ONLY	TITLE HSG 5 CKT WITH SEC.LOCK AND EXTERNAL LATCH	
		4 PLACES ± --- ± ---		DRAWN BY DATE FGOTTARD 2002/06/27	MOLEX MOLEX INCORPORATED MATERIAL NO. 94550-9005 DOCUMENT NO. SD-94550-004 SHEET NO. 1 OF 1	
		3 PLACES ± --- ± ---		CHECKED BY DATE MTESTAGU 2002/06/27		
	2 PLACES ± 0.10 ± ---		APPROVED BY DATE GZUIN 2002/06/27	THIS DRAWING CONTAINS INFORMATION THAT IS PROPRIETARY TO MOLEX INCORPORATED AND SHOULD NOT BE USED WITHOUT WRITTEN PERMISSION		
	1 PLACE ± 0.2 ± ---		DRAFT WHERE APPLICABLE MUST REMAIN WITHIN DIMENSIONS		A3	



9 8 7 6 5 4 3 2 1