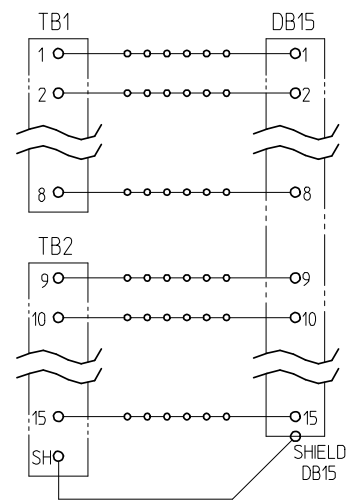
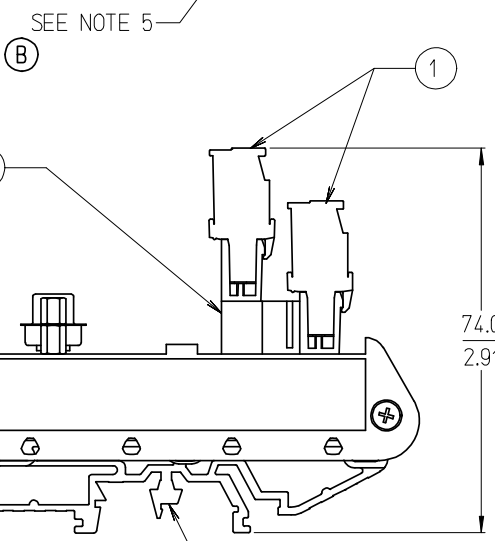


15 POSITION SHOWN



TYPICAL SCHEMATIC (15 POSITION SHOWN)

NO. OF CIRCUITS	DIM. "A"	MATERIAL NUMBER
09	39.4 [1.55]	39170-3109
15	54.4 [2.14]	39170-3115
25	79.8 [3.14]	39170-3125
37	106.4 [4.19]	39170-3137

NOTES:

- 1. MATERIAL: SEE TABLE
- 2. FINISHES: SEE TABLE
- 3. MATES WITH: MALE D-SUB
- 4. END CAP MOUNT SCREW TORQUE: 0.5 N-m (4.4 lbf-in) MINIMUM
0.6 N-m (5.3 lbf-in) MAXIMUM
- 5. TERMINAL BLOCK SCREW TORQUE: 0.8 N-m (7.1 lbf-in)
- 6. 39170-3125 IS ROHS COMPLIANT, ALL OTHERS NOT REQUIRED.

ITEM	QTY.	DESCRIPTION	MATERIAL	FINISH
3	2	DIN RAIL ADAPTOR UNIT	THERMOPLASTIC	BLACK
2	1	FEMALE D-SUB TO 5.08 HEADER, PC BOARD ASSY.	-	-
1	2	5.08 PLUGGABLE BTS	SEE SD-39860-004	BLACK

ADD SCREW TORQUE
 EC NO: ETC2007-0331
 DRAWN: CLYORK 2007/03/12
 CHKD: JMACNEIL 2007/03/14
 APPR: JMACNEIL 2007/03/15

QUALITY SYMBOLS
 ▽=0
 ▽=0

GENERAL TOLERANCES (UNLESS SPECIFIED)

	mm	INCH
4 PLACES	± ---	± ---
3 PLACES	± ---	± .005
2 PLACES	± 0.13	± .01
1 PLACE	± 0.3	± ---

ANGULAR ± 2 °

DRAFT WHERE APPLICABLE
 MUST REMAIN WITHIN DIMENSIONS

DIMENSION STYLE
 MM/IN

SCALE
 1:1

DESIGN UNITS
 INCH

THIRD ANGLE PROJECTION

DRAWN BY
 C. YORK

DATE
 2004/11/09

CHECKED BY
 R. STONE

DATE
 2004/11/16

APPROVED BY
 G. ROBERTSON

DATE
 2004/11/16

MATERIAL NO.
 SEE CHART

SIZE
 B

TITLE
 DIN RAIL INTERFACE
 MODULE, FEMALE D-SUB TO
 5.08MM VERT EURO PLUG

MOLEX INCORPORATED

DOCUMENT NO.
 SD-39170-001

SHEET NO.
 1 OF 1

THIS DRAWING CONTAINS INFORMATION THAT IS PROPRIETARY TO MOLEX INCORPORATED AND SHOULD NOT BE USED WITHOUT WRITTEN PERMISSION