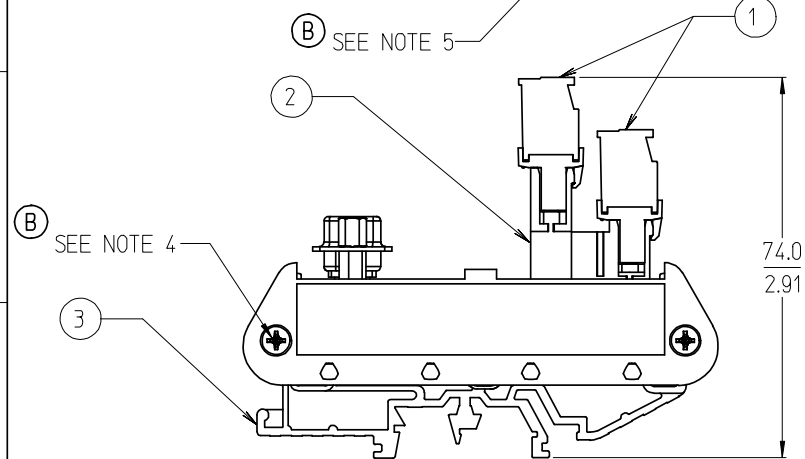


TYPICAL SCHEMATIC

NOTES:

1. MATERIAL: SEE TABLE
2. FINISHES: SEE TABLE
3. MATES WITH: 50 POSITION MALE D-SUB
4. END CAP MOUNT SCREW TORQUE: 0.5 N-m (4.4 lbf-in) MINIMUM
0.6 N-m (5.3 lbf-in) MAXIMUM
5. TERMINAL BLOCK SCREW TORQUE: 0.8 N-m (7.1 lbf-in)
6. ASSEMBLY ROHS COMPLIANCE NOT REQUIRED.



ITEM	QTY.	DESCRIPTION	MATERIAL	FINISH
3	2	DIN RAIL ADAPTOR UNIT	THERMOPLASTIC	BLACK
2	1	FEMALE D-SUB TO 5.08 HEADER, PC BOARD ASSY	-	-
1	4	5.08 PLUGGABLE BTS, 13 POSITION	SEE SD-39860-004	BLACK

ADD SCREW TORQUE EC NO: ETC2007-0331 DRWN: CLYORK CHKD: JMACNEIL APPR: JMACNEIL	2007/03/12 2007/03/14 2007/03/15	QUALITY SYMBOLS ▽=0 ▽=0	GENERAL TOLERANCES (UNLESS SPECIFIED)		DIMENSION STYLE		SCALE	DESIGN UNITS	THIRD ANGLE PROJECTION			
					MM/IN		1:1	INCH				
			4 PLACES	±---	±---	DRAWN BY	DATE	TITLE				
			3 PLACES	±---	±.005	C. YORK	2004/11/12	DIN RAIL INTERFACE MOD, 50 POSITION FEMALE D-SUB TO 5.08MM VERT EURO PLUG				
2 PLACES	±0.13	±.01	CHECKED BY	DATE								
1 PLACE	±0.3	±---	R. STONE	2004/11/16	MOLEX INCORPORATED							
ANGULAR ± 2 °			APPROVED BY		DATE	MATERIAL NO.		SHEET NO.				
DRAFT WHERE APPLICABLE MUST REMAIN WITHIN DIMENSIONS			G. ROBERTSON		2004/11/16	39170-3150		SD-39170-007		1 OF 1		
			SIZE		THIS DRAWING CONTAINS INFORMATION THAT IS PROPRIETARY TO MOLEX INCORPORATED AND SHOULD NOT BE USED WITHOUT WRITTEN PERMISSION							