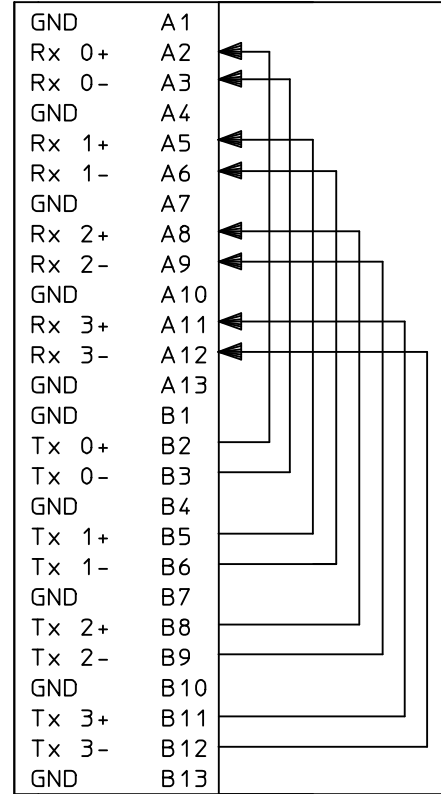
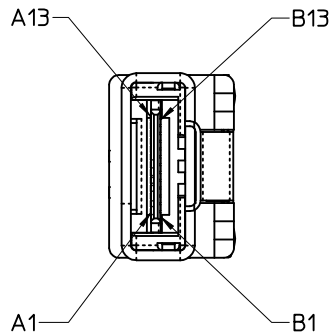


NOTES:

- 1. MATERIAL-
BACKSHELLS - ZINC DIECAST
PULL - MOLDED PLATIC
- 2. PLUG MATES TO RECEPTACLE 75586 SERIES, AND EMI HOUSING ASSY, 74548-0100
- 3. THIS PRODUCT MEETS THE RESTRICTION OF HAZARDOUS SUBSTANCES IN ELECTRICAL AND ELECTRONIC EQUIPMENT (RoHS) DIRECTIVE (2002/95/EC)

ENTER DESCRIPTION EC NO: USY2009-0104 DRWN: JERWIN CHKD: BSCHOESTER APPR: DDOYE	DESCRIPTION REV	QUALITY SYMBOLS	GENERAL TOLERANCES (UNLESS SPECIFIED)		DIMENSION STYLE		SCALE	DESIGN UNITS	THIRD ANGLE PROJECTION			
		▼=0 ▽=0			MM/IN		1:1	INCH				
				mm	INCH	DRAWN BY	DATE	TITLE LOOPBACK ASSY KEY 2,4,6				
			4 PLACES	± ---	± ---	JERWIN	2008/01/15					
	mm	INCH	CHECKED BY	DATE	MATERIAL NO. 745470399 DOCUMENT NO. SD-74547-0399 SHEET NO. 1 OF 2							
3 PLACES	± ---	± ---	BSCHOESTER	2008/01/15								
	mm	INCH	APPROVED BY	DATE	MATERIAL NO. 745470399 DOCUMENT NO. SD-74547-0399 SHEET NO. 1 OF 2							
2 PLACES	± 0.13	± ---	DDOYE	2008/01/15								
	mm	INCH	ANGULAR ±1/2°		THIS DRAWING CONTAINS INFORMATION THAT IS PROPRIETARY TO MOLEX INCORPORATED AND SHOULD NOT BE USED WITHOUT WRITTEN PERMISSION							
1 PLACE	± 0.25	± ---										
DRAFT WHERE APPLICABLE MUST REMAIN WITHIN DIMENSIONS			SIZE B									



ENTER DESCRIPTION EC NO: USY2009-0104 DRWN: JERWIN 2008/09/17 CHKD: BSCHOESTER 2008/09/29 APPR: DDOYE 2008/09/30	QUALITY SYMBOLS ▼=0 ▽=0	GENERAL TOLERANCES (UNLESS SPECIFIED) mm INCH 4 PLACES ± --- ± --- 3 PLACES ± --- ± --- 2 PLACES ± 0.13 ± --- 1 PLACE ± 0.25 ± --- ANGULAR ± 1/2°	DIMENSION STYLE MM/IN DRAWN BY DATE JERWIN 2008/01/15 CHECKED BY DATE BSCHOESTER 2008/01/15 APPROVED BY DATE DDOYE 2008/01/15	SCALE 1:1 DESIGN UNITS INCH THIRD ANGLE PROJECTION
	DRAFT WHERE APPLICABLE MUST REMAIN WITHIN DIMENSIONS		MATERIAL NO. 745470399	TITLE LOOPBACK ASSY KEY 2,4,6
	MOLEX INCORPORATED		DOCUMENT NO. SD-74547-0399	SHEET NO. 2 OF 2
	THIS DRAWING CONTAINS INFORMATION THAT IS PROPRIETARY TO MOLEX INCORPORATED AND SHOULD NOT BE USED WITHOUT WRITTEN PERMISSION			