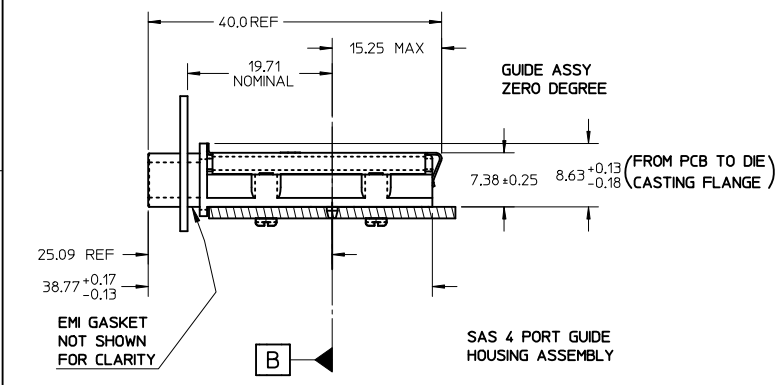


- NOTES:
1. PCB AND BRACKET SHOWN FOR REFERENCE ONLY.
 2. REF. SD-74547-100 FOR KEY POSITIONS
 3. GUIDE HOUSING MOUNTING THREAD= M2 X 0.40. SEE SHEET 3 FOR SCREW LENGTH + TORQUE SPEC.
 4. PLATE GROUND PAD WITH EMERSION SILVER OR GOLD.
 5. MATERIAL:
GUIDE HOUSING - ZINC DIECAST, NICKEL PLATED
COVER - STAINLESS STEEL
 6. NO RoHS EXEMPTIONS.
 7. GUIDE HOUSING PEGS FOR ALIGNMENT ONLY, DO NOT SOLDER.

| PART NUMBER | PORT SIZE | SW | OAW | KEY(S) PORT1 | KEY(S) PORT2 | KEY(S) PORT3 | KEY(S) PORT4 | IDENTIFIERS |
|-------------|-----------|-------|-------|--------------|--------------|--------------|--------------|-------------------------|
| 745480200 | 4 | 76.30 | 80.00 | 1 | 1 | 1 | 1 | SATA - 'X' CABLES |
| 745480203 | 4 | 76.30 | 80.00 | 2,4 | 2,4 | 2,4 | 2,4 | SAS OUT PORT/END DEVICE |
| 745480204 | 4 | 76.30 | 80.00 | 4,6 | 4,6 | 4,6 | 4,6 | SAS IN PORT/END DEVICE |
| 745480205 | 4 | 76.30 | 80.00 | 4 | 4 | 4 | 4 | SAS UNIVERSAL PORT |
| 745480212 | 4 | 76.30 | 80.00 | 7 | 7 | 7 | 7 | SATA - 'M' CABLES |
| 745480217 | 4 | 76.30 | 80.00 | 2 | 2 | 2 | 2 | SAS - OUT PORT |
| 745480220 | 4 | 76.30 | 80.00 | 6 | 6 | 6 | 6 | SAS - IN PORT |
| 745480304 | 4 | 76.30 | 80.00 | 2,7 | 2,7 | 2,7 | 2,7 | CX4 |
| 745480401 | 4 | 76.29 | 79.99 | 2,6 | 4 | 4 | 4 | CUSTOM |

IPASS IS A TRADE MARK OF MOLEX.



| | | | | | |
|--|--|--|--|--|--|
| SEE REVISION TABLE EC NO: CPG2015-0132 DRWN:SYANG16 2013/09/27 CHK:EWANG07 2014/08/15 APPR:RCHEN08 2014/08/19 | QUALITY SYMBOLS ▽=0 ▽=0 ▽=0 | GENERAL TOLERANCES (UNLESS SPECIFIED) mm INCH 4 PLACES ± --- ± --- 3 PLACES ± --- ± --- 2 PLACES ± 0.13 ± --- 1 PLACE ± 0.25 ± --- 0 PLACE ± ± | DIMENSION STYLE MM ONLY DRAWN BY SNAVARRO DATE 2006/05/26 CHECKED BY BREED DATE 2006/05/26 APPROVED BY DDOYE DATE 2006/05/26 | SCALE 1:1 DESIGN UNITS METRIC THIRD ANGLE PROJECTION | TITLE I-PASS 26 CKT ZERO DEG. EMI GUIDE RAIL HOUSING ASSEMBLY, MULTI PORT DOCUMENT NO. SD-74548-200 SHEET NO. 1 OF 4 |
| | ANGULAR ±1/2° DRAFT WHERE APPLICABLE MUST REMAIN WITHIN DIMENSIONS | MATERIAL NO. SEE TABLE | MATERIAL NO. SEE TABLE | | |
| | SIZE B | THIS DRAWING CONTAINS INFORMATION THAT IS PROPRIETARY TO MOLEX INCORPORATED AND SHOULD NOT BE USED WITHOUT WRITTEN PERMISSION | THIS DRAWING CONTAINS INFORMATION THAT IS PROPRIETARY TO MOLEX INCORPORATED AND SHOULD NOT BE USED WITHOUT WRITTEN PERMISSION | | |
| | SEE SHEET 3 FOR GROUND PAD ALLEY LAYOUT INFORMATION 81.25 (MIN CENTER TO CENTER RAIL SPACING USING M2X0.4 FLAT HEAD OR BUTTON HEAD SCREWS) 2X 77.25±0.05 4X Ø2.50 2X Ø1.55 | REF. SD-75586-001 FOR RECEPTACLE AND PCB LAYOUT INFORMATION REF. SHEET 3 FOR GROUND PAD ALLEY LAYOUT INFORMATION 2X 77.25±0.05 4X Ø2.50 2X Ø1.55 | CONDUCTIVE ZONE, GUIDE RAIL SIDE POSITION LOWER EDGE OF OPENING FLUSH TO 0.10MM BELOW PCB SURFACE, TYP. R2.00 TYP. R100 TYP. | | |

10 9 8 7 6 5 4 3 2 1

F

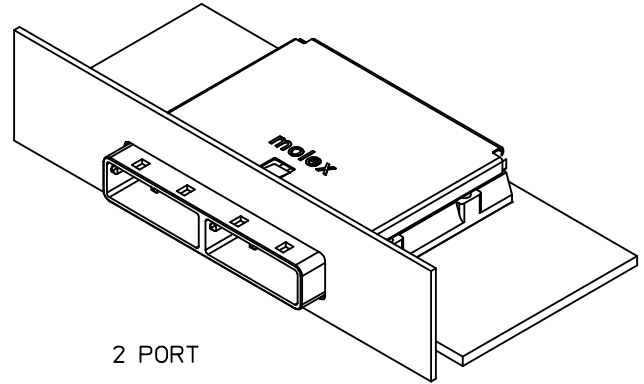
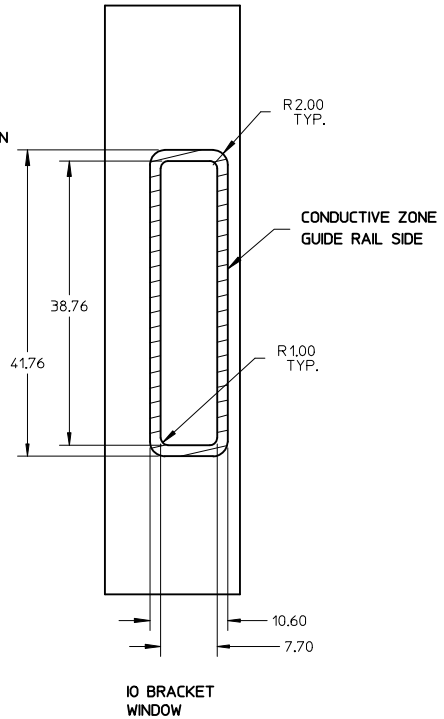
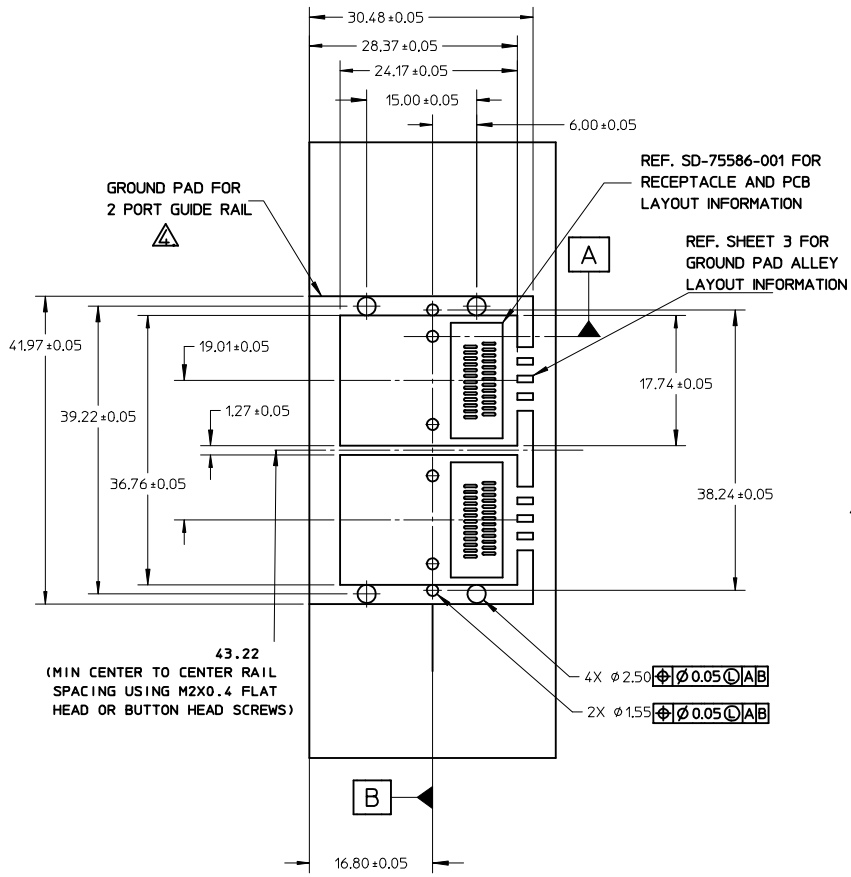
E

D

C

B

A

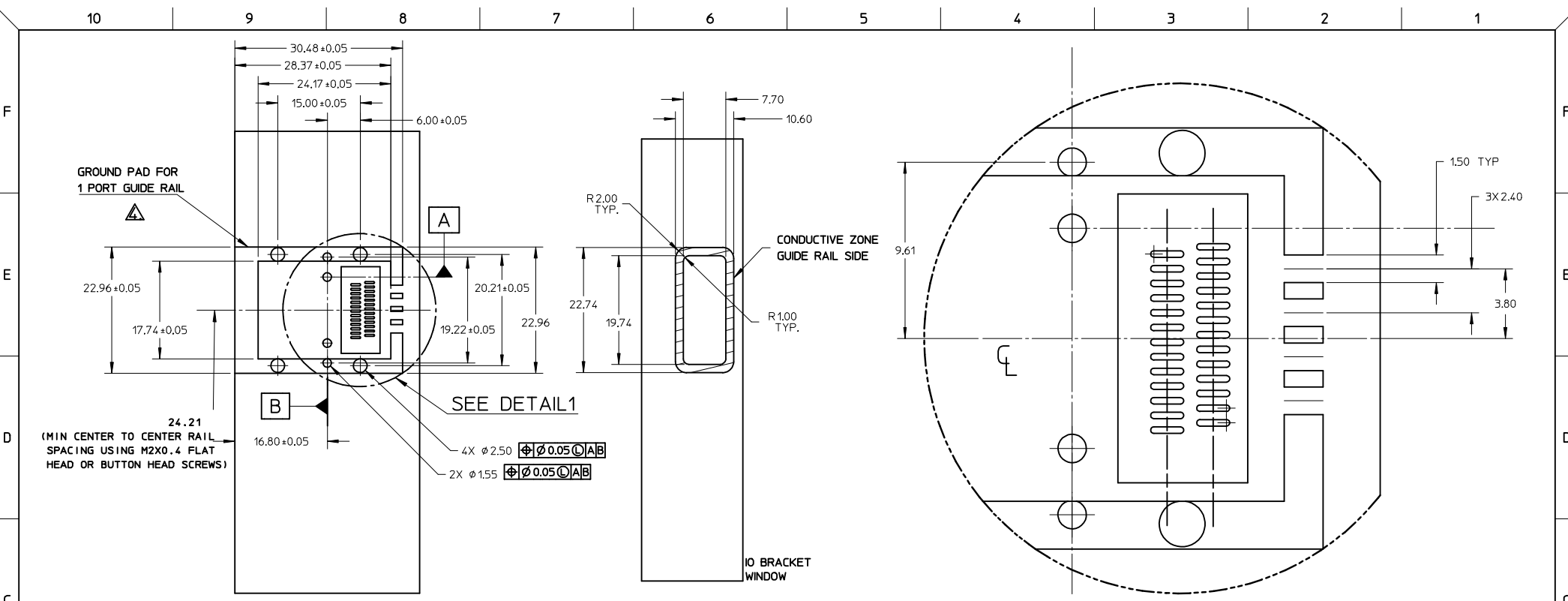


| PART NUMBER | PORT SIZE | SW | OAW | KEY(S) PORT1 | KEY(S) PORT2 | IDENTIFIERS |
|-------------|-----------|-------|-------|--------------|--------------|----------------------------|
| 745480202 | 2 | 38.26 | 41.96 | 1 | 1 | SATA - 'X' CABLES |
| 745480206 | 2 | 38.26 | 41.96 | 2,4 | 2,4 | SAS OUT PORT/END DEVICE |
| 745480207 | 2 | 38.26 | 41.96 | 4,6 | 4,6 | SAS IN PORT/END DEVICE |
| 745480208 | 2 | 38.26 | 41.96 | 4 | 4 | SAS UNIVERSAL PORT |
| 745480213 | 2 | 38.26 | 41.96 | 7 | 7 | SATA - 'M' CABLES |
| 745480215 | 2 | 38.26 | 41.96 | 4,6 | 2,4 | SAS IN PORT - SAS OUT PORT |
| 745480216 | 2 | 38.26 | 41.96 | 2,4 | 4,6 | SAS OUT PORT - SAS IN PORT |
| 745480218 | 2 | 38.26 | 41.96 | 2 | 2 | SAS - IN PORT |
| 745480221 | 2 | 38.26 | 41.96 | 6 | 6 | SAS - OUT PORT |
| 745480224 | 2 | 38.26 | 41.96 | 3 | 3 | SRIO |

I-PASS IS A TRADE MARK OF MOLEX.

| | | | | | | |
|--|----------------------|--|---|---|--------------|------------------------|
| SEE REVISION TABLE EC NO: CPG2015-0132 DRWN: SYANG16 2013/09/27 CHKD: EWANG07 2014/08/15 APPR: RCHEN08 2014/08/19 | QUALITY SYMBOLS | GENERAL TOLERANCES (UNLESS SPECIFIED) | DIMENSION STYLE | SCALE | DESIGN UNITS | THIRD ANGLE PROJECTION |
| | ▽=0 | mm INCH | MM ONLY | 1:1 | METRIC | ⊙ □ |
| | ▽=0 | 4 PLACES ± --- ± --- | DRAWN BY DATE | TITLE I-PASS 26 CKT ZERO DEG. EMI GUIDE RAIL HOUSING ASSEMBLY, MULTI PORT | | |
| | ▽=0 | 3 PLACES ± --- ± --- | CHECKED BY DATE | | | |
| | ▽=0 | 2 PLACES ± 0.13 ± --- | BREED 2006/05/26 | | | |
| | 1 PLACE ± 0.25 ± --- | APPROVED BY DATE | MATERIAL NO. | | DOCUMENT NO. | SHEET NO. |
| | 0 PLACE ± ± | ANGULAR ± 1/2° | SEE TABLE | | SD-74548-200 | 2 OF 4 |
| | | DRAFT WHERE APPLICABLE MUST REMAIN WITHIN DIMENSIONS | THIS DRAWING CONTAINS INFORMATION THAT IS PROPRIETARY TO MOLEX INCORPORATED AND SHOULD NOT BE USED WITHOUT WRITTEN PERMISSION | | | |

9 8 7 6 5 4 3 2 1



24.21
(MIN CENTER TO CENTER RAIL
SPACING USING M2X0.4 FLAT
HEAD OR BUTTON HEAD SCREWS)

SEE DETAIL1

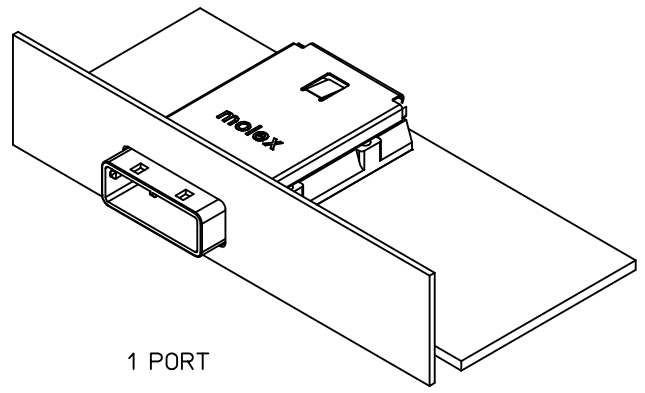
CONDUCTIVE ZONE
GUIDE RAIL SIDE

IO BRACKET
WINDOW

DETAIL1
Scale 5:1

| PART NUMBER | PORT SIZE | SW | OAW | KEY(S) | IDENTIFIERS |
|-------------|-----------|-------|-------|--------|-------------------------|
| 745480201 | 1 | 19.24 | 22.95 | 1 | SATA - 'X' CABLES |
| 745480209 | 1 | 19.24 | 22.95 | 2,4 | SAS OUT PORT/END DEVICE |
| 745480210 | 1 | 19.24 | 22.95 | 4,6 | SAS IN PORT/END DEVICE |
| 745480211 | 1 | 19.24 | 22.95 | 4 | SAS UNIVERSAL PORT |
| 745480214 | 1 | 19.24 | 22.95 | 7 | SATA - 'M' CABLES |
| 745480219 | 1 | 19.24 | 22.95 | 2 | SAS OUT PORT |
| 745480222 | 1 | 19.24 | 22.95 | 6 | SAS IN PORT |
| 745480225 | 1 | 19.24 | 22.95 | 3 | SR10 |
| 745480229 | 1 | 19.24 | 22.95 | 2,7 | CX4 |

| PCB THICKNESS | SCREW LENGTH | TORQUE (IN LBS) |
|---------------|--------------|-----------------|
| 1.6 (.063') | 5MM | 2.3 |
| 2.38 (.093') | 6MM | 2.3 |
| 3.2 (.125') | 6MM | 2.3 |
| X | +4MM MAX | 2.3 |



1 PORT

SEE REVISION TABLE
EC NO: CPG2015-0132
DRAWN:SYANG16 2013/09/27
CHKD:EWANG07 2014/08/15
APPR:RICHEN08 2014/08/19

QUALITY SYMBOLS
▽=0
▽=0
▽=0

GENERAL TOLERANCES (UNLESS SPECIFIED)
mm INCH
4 PLACES ± --- ± ---
3 PLACES ± --- ± ---
2 PLACES ± 0.13 ± ---
1 PLACE ± 0.25 ± ---
0 PLACE ± ±
ANGULAR ± 1/2°
DRAFT WHERE APPLICABLE MUST REMAIN WITHIN DIMENSIONS

DIMENSION STYLE MM ONLY
DRAWN BY DATE
SNAVARRO 2006/05/26
CHECKED BY DATE
BREED 2006/05/26
APPROVED BY DATE
DDOYE 2006/05/26
MATERIAL NO.
SEE TABLE

SCALE 1:1
DESIGN UNITS METRIC
THIRD ANGLE PROJECTION
TITLE
I-PASS 26 CKT ZERO DEG.
EMI GUIDE RAIL HOUSING
ASSEMBLY, MULTI PORT
moLEX
DOCUMENT NO. SD-74548-200
SHEET NO. 3 OF 4

| DATE | REV | DESCRIPTION |
|------------|-----|--|
| 2014/08/14 | U | 1.CHANGED 40.0 TO 40.0 REF @B9 [SHEET 1] 2.CHANGED DIM 25.09 TO 25.09 REF @A10 BASED ON SFF-8088 [SHEET 1] 3.ADDDED NOTE FOR DIM 8.63 +0.13/-0.18 @A7 [SHEET 1] 4.ADDDED DIM 15.25MAX @B9 BASED ON SFF-8088 [SHEET 1] 5.ADDDED REVISION HISTORY [SHEET 4]. 6.CHANGED ALL LOCATIONS OF DIMENSION MULTIPLIERS. (EX: "YY(3)" TO "3X YY") |
| | | |
| | | |
| | | |
| | | |

| | | | | | | |
|---|-----------------|--|-----------------------|---------------------|--------------|---|
| SEE REVISION TABLE EC NO: CPG2015-0132 U DRWN:SYANG16 2013/09/27 CHKD:EWANG07 2014/08/15 APPR:RCHEN08 2014/08/19 | QUALITY SYMBOLS | GENERAL TOLERANCES (UNLESS SPECIFIED) | DIMENSION STYLE | SCALE | DESIGN UNITS | THIRD ANGLE PROJECTION |
| | ▽=0 | mm INCH | MM ONLY | 1:1 | METRIC | I-PASS 26 CKT ZERO DEG. EMI GUIDE RAIL HOUSING ASSEMBLY, MULTI PORT |
| | ▽=0 | 4 PLACES ± --- ± --- | DRAWN BY DATE | DATE | TITLE | |
| | ▽=0 | 3 PLACES ± --- ± --- | 2 PLACES ± 0.13 ± --- | SNAVARRO 2006/05/26 | 2006/05/26 | molex |
| | ▽=0 | 1 PLACE ± 0.25 ± --- | 0 PLACE ± ± | BREED 2006/05/26 | 2006/05/26 | |
| | ANGULAR ±1/2° | DRAFT WHERE APPLICABLE MUST REMAIN WITHIN DIMENSIONS | MATERIAL NO. | SEE TABLE | DOCUMENT NO. | SHEET NO. |
| | | | | | SD-74548-200 | 4 OF 4 |