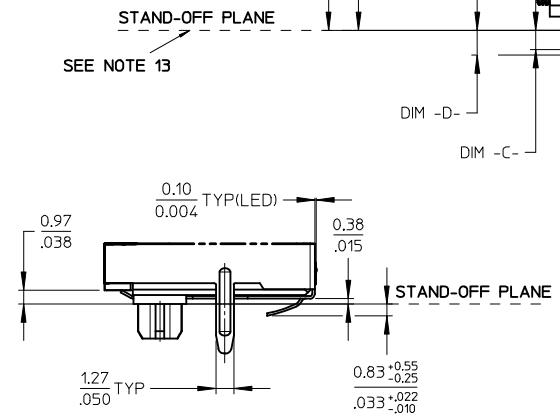


Detail 2
SCALE 4:1

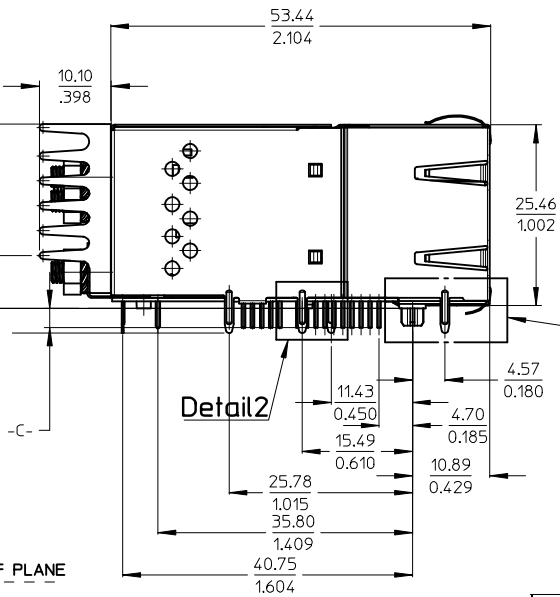


Detail 1
SCALE 4:1

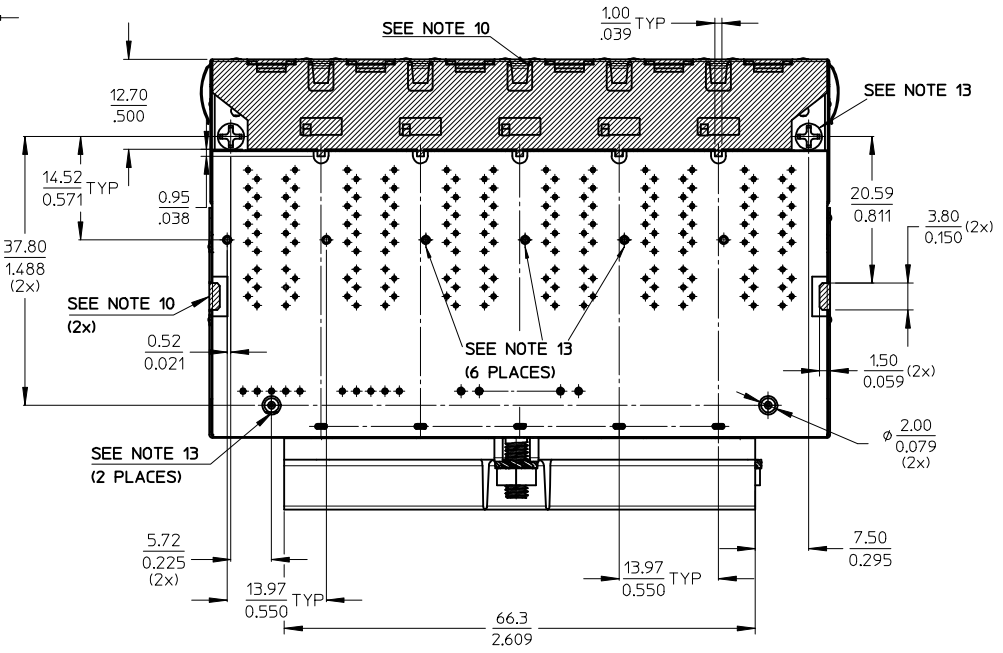
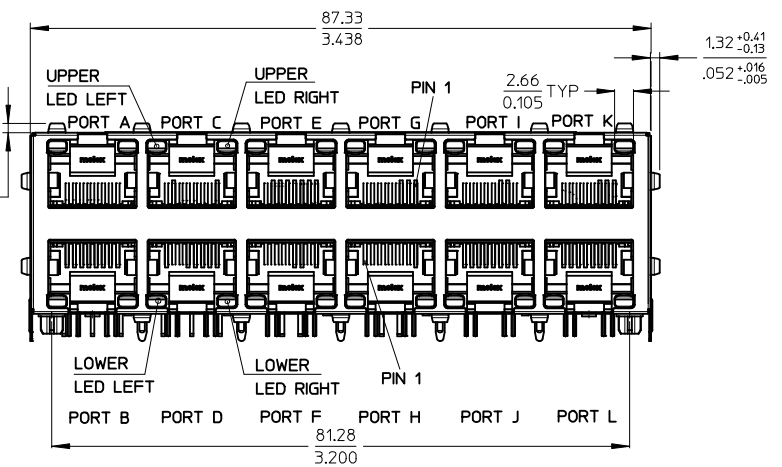
MATERIAL NUMBER	NUMBERS OF PORTS	DIM -C-	DIM -D-	SEE NOTE
85586-1005	6/6	4,0/0.157	3,8/0.150	12

PATENTS PENDING

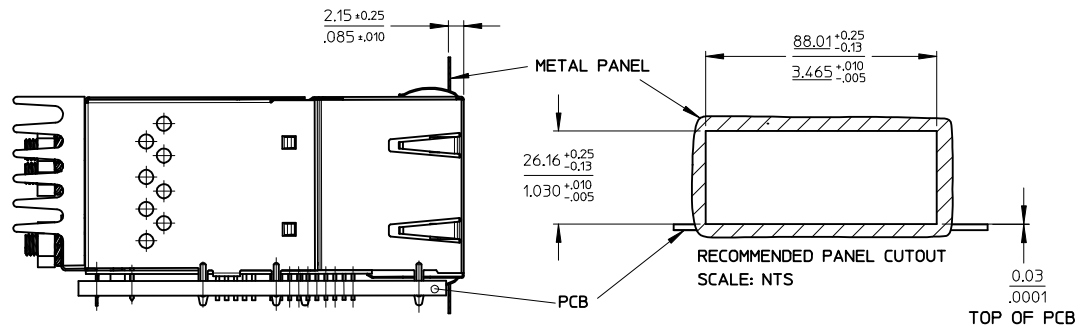
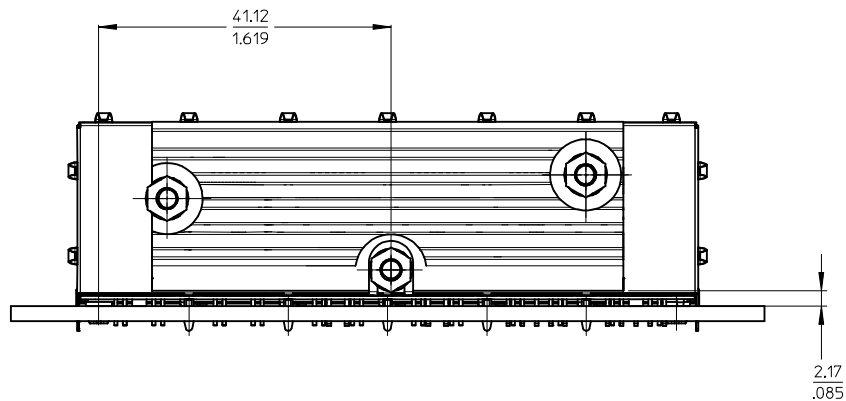
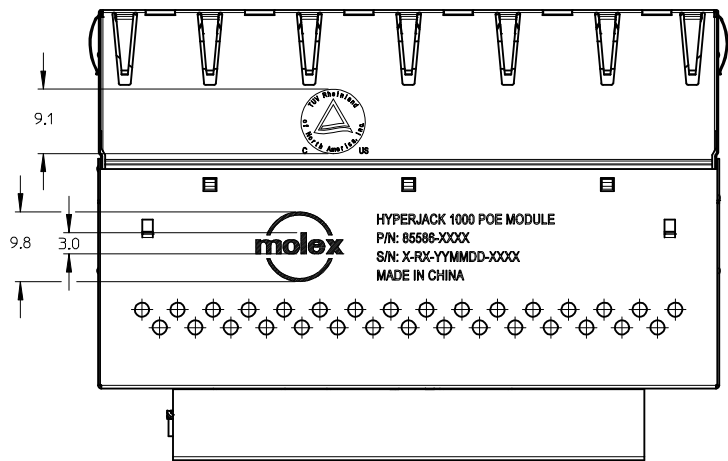
- NOTES:
- 1- SHIELD MATERIAL: BRASS; PLATING: NICKEL
 - 2- HOUSING MATERIAL: THERMOPLASTIC UL 94-V0, COLOR BLACK
 - 3- TERMINAL: PHOSPHOR BRONZE
- PLATING:
- POSTPLATE OR SPOTPLATE 0.00127 / .00005 MIN GOLD OVER 0.00127 / .00005 MIN NICKEL IN CONTACT AREA
 - 0.00190 / .000075 MIN 100% TIN IN TAIL AREA, BOTH OVER 0.00127 / .00005 MIN NICKEL OVER ALL.
- 4- JACK TO BE MATCHED WITH F.C.C. 68.5 PLUGS (MOLEX-PLUGS: 85568,95043,90075-SERIES)
 - 5- PRODUCT SPECIFICATION: PS-85586-001
 - 6- PLEASE REQUEST MOLEX FOR A FRENCH INSTALLATION MANUAL IF DISTRIBUTED IN CANADA.
 - 7- RECOMMENDED PCB LAYOUT AND PANEL CUT OUT SEE SHEET 2 AND 3
 - 8- NO TRACES WITHOUT INSULATION ALLOWED ON BOARD PCB IN THIS DASHED AREAS UNDER THE METAL SHIELD
 - 9- PIN LENGTH FOR RECOMMENDED PCB MAX. THICKNESS OF .140" REFER TO STANDARD IPC 610 REVISION C, CLASS 2
 - 10- STAND-OFF PLANE TO CUSTOMER PCB
 - 11- PACKAGING SPECIFICATION: PK-85586-001



Detail 1



REV	DESCRIPTION	QUALITY SYMBOLS		GENERAL TOLERANCES (UNLESS SPECIFIED)		DIMENSION STYLE		SCALE	DESIGN UNITS	THIRD ANGLE PROJECTION
		mm	INCH	mm	INCH	MM/IN	MM/IN			
A	EC NO: MG2010-0061 DRWN: JBAUER 2012/08/07 CHKD: MMANGARIDOV 2012/08/07 APPR: SSTEINKE 2012/12/04	▽=0	▽=0	4 PLACES ± --- ± ---	± --- ± ---	DRAWN BY	DATE	TITLE	HYPERJACK 1000 POE-MODULE WITH POWER OVER PIN (POP), SWAPPED PORTS	
				3 PLACES ± --- ± ---	± .006 ± ---	RSCHIEBER	2005/12/08			
				2 PLACES ± 0.15 ± .01	± .01 ± ---	CHECKED BY	DATE		MOLEX INCORPORATED	
				1 PLACE ± 0.25 ± ---	± --- ± ---	SSTEINKE	2005/12/08			
				ANGULAR ± .5 °		APPROVED BY	DATE		SD-85586-012	
				DRAFT WHERE APPLICABLE MUST REMAIN WITHIN DIMENSIONS		AVOG	2005/12/08			
						MATERIAL NO.			1 OF 3	
						SEE CHART				
						THIS DRAWING CONTAINS INFORMATION THAT IS PROPRIETARY TO MOLEX INCORPORATED AND SHOULD NOT BE USED WITHOUT WRITTEN PERMISSION				



NOTES:

- 1 - MOLEX LOGO, TUV LOGO AND INSCRIPTION TO BE MARKED WITH LASER PRINTER
- 2 - INSCRIPTION:
 - 1st LINE: PART NAME
 - 2nd LINE: PART NUMBER
 - 3rd LINE: SERIES NUMBER -> MANUFACTURER ID - CONNECTOR REVISION - DATE CODE (YEAR, MONTH, DAY) - CONSECUTIVE NUMBER
 - 4th LINE: COUNTRY OF ORIGIN

PATENTS PENDING

EC NO: MG2010-0061 DRWN: JBADER 2012/08/07 CHKD: MMANGARUDOV 2012/08/07 APPR: SSTE INKE 2012/12/04	QUALITY SYMBOLS ▽=0 ▽=0	GENERAL TOLERANCES (UNLESS SPECIFIED)		DIMENSION STYLE MM/IN		SCALE 2:1	DESIGN UNITS METRIC	THIRD ANGLE PROJECTION
		4 PLACES ± --- ± --- 3 PLACES ± --- ± .006 2 PLACES ± 0.15 ± .01 1 PLACE ± 0.25 ± --- ANGULAR ± .5°	DRAWN BY RSCHIEBER	DATE 2005/12/08	TITLE HYPERJACK 1000 POE-MODULE WITH POWER OVER PIN (POP), SWAPPED PORTS			
A	DESCRIPTION REV	DRAFT WHERE APPLICABLE MUST REMAIN WITHIN DIMENSIONS		CHECKED BY SSTE INKE	DATE 2005/12/08	MOLEX INCORPORATED		
		MATERIAL NO. SEE SHEET 1		APPROVED BY AVOGT	DATE 2005/12/08	DOCUMENT NO. SD-85586-012	SHEET NO. 3 OF 3	
SIZE A2				THIS DRAWING CONTAINS INFORMATION THAT IS PROPRIETARY TO MOLEX INCORPORATED AND SHOULD NOT BE USED WITHOUT WRITTEN PERMISSION				