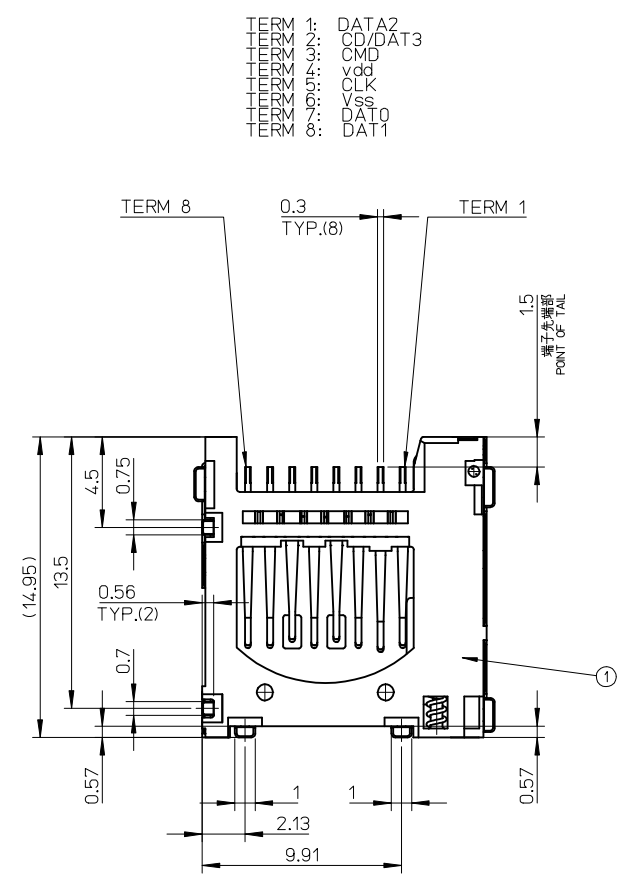
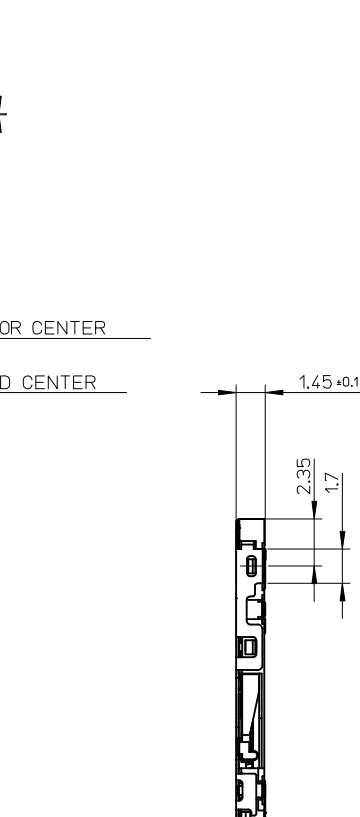
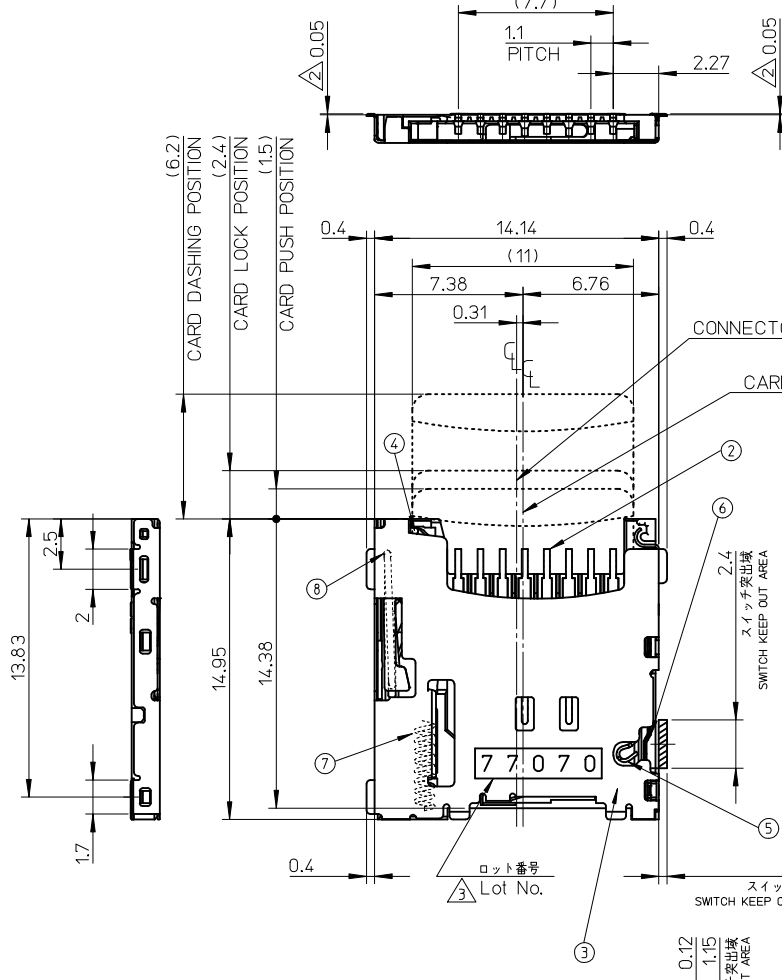


10 9 8 7 6 5 4 3 2 1



- TERM 1: DATA2
- TERM 2: CD/DAT3
- TERM 3: CMD
- TERM 4: vdd
- TERM 5: CLK
- TERM 6: VSS
- TERM 7: DAT0
- TERM 8: DAT1

503182-1853	8
EMBOSSSED TAPE	極数
ORDER No. オーダー番号	CIRCUITS
CONNECTOR SERIES No. 503182-**43	

<b>REVISED</b> EC NO: J2013-1070 DRWN: YGOTO CHKD: MTOMITA APPR: YO ITO	2013/03/27	GENERAL TOLERANCES (UNLESS SPECIFIED)		DIMENSION STYLE		SCALE	DESIGN UNITS	THIRD ANGLE PROJECTION MICRO SD CONN. NORMAL ULTRA LOW-PROFILE ASSY <b>molex</b> SD-503182-015 SHEET NO. 1 OF 2
	2013/03/27	10 UNDER	±0.2	MM ONLY		4:1	METRIC	
	2013/03/28	10 OVER 30 UNDER	±0.25	DRAWN BY DATE		TITLE		
		30 OVER	±0.3	YGOTO 2013/03/08		YGOTO 2013/03/08		
			ANGULAR ±1°	CHECKED BY DATE		MTOMITA 2013/03/08		
			DRAFT WHERE APPLICABLE MUST REMAIN WITHIN DIMENSIONS	APPROVED BY DATE		YO ITO 2013/03/12		
				MATERIAL NO.		DOCUMENT NO.		
				SEE CHART				
				THIS DRAWING CONTAINS INFORMATION THAT IS PROPRIETARY TO MOLEX INCORPORATED AND SHOULD NOT BE USED WITHOUT WRITTEN PERMISSION				

9 8 7 6 5 4 3 2

10 9 8 7 6 5 4 3 2 1

F

E

D

C

B

A

F

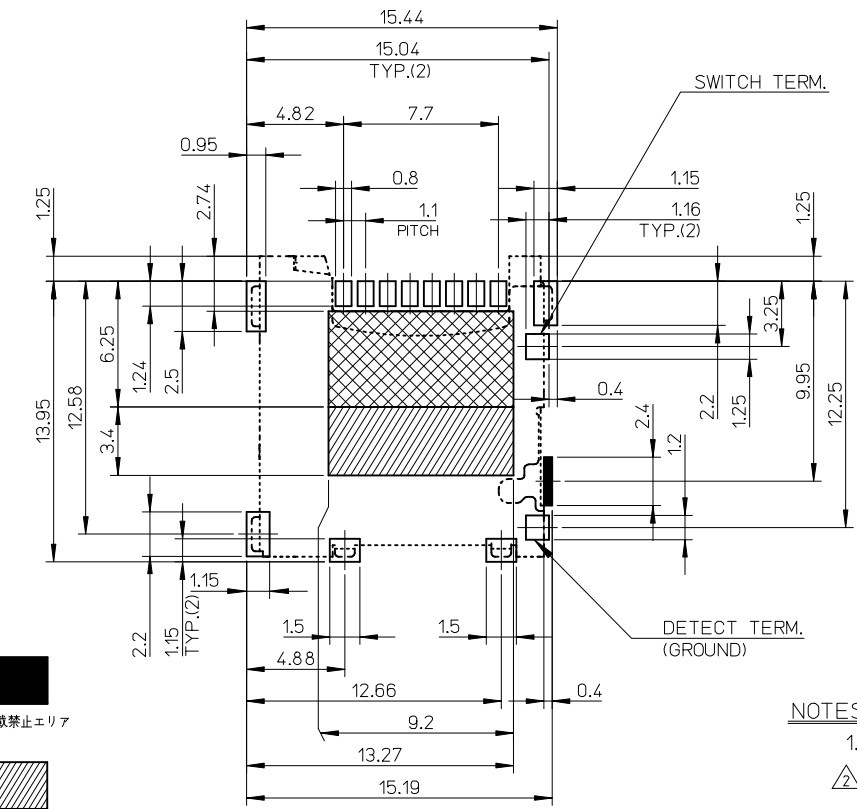
E

D

C

B

A



RECOMMENDED PCB PATTERN LAYOUT  
(GENERAL TOLERANCE : ±0.05)

- 部品搭載禁止エリア
- パターン禁止エリア
- 半田付け禁止エリア

番号	名称 NAME	材料 MATERIAL
①	ハウジング HOUSING	液晶ポリマー(LCP) LIQUID CRYSTAL POLYMER (LCP)
②	ターミナル TERMINAL	銅合金、接点部：金めっき 半田付部：錫めっき 下地：ニッケルめっき COPPER ALLOY, CONTACT AREA:GOLD TAIL AREA:TIN UNDER PLATING:NICKEL
③	メタルシェル METAL SHELL	ステンレス鋼、半田付部：金めっき 下地：ニッケルめっき STAINLESS STEEL, TAIL AREA:GOLD UNDER PLATING:NICKEL
④	カムスライダー CAM SLIDER	液晶ポリマー(LCP) LIQUID CRYSTAL POLYMER (LCP)
⑤	ディテクトネイル DETECT NAIL	銅合金、接点部：金めっき 半田付部：金めっき 下地：ニッケルめっき COPPER ALLOY, CONTACT AREA:GOLD TAIL AREA:GOLD UNDER PLATING:NICKEL
⑥	スイッチネイル SWITCH NAIL	銅合金、接点部：金めっき 半田付部：金めっき 下地：ニッケルめっき COPPER ALLOY, CONTACT AREA:GOLD TAIL AREA:GOLD UNDER PLATING:NICKEL
⑦	スプリング SPRING	ピアノ線 SWP
⑧	カムピン CAM PIN	ステンレス鋼 STAINLESS STEEL

NOTES

1. ターミナル及びネイルの平坦度は0.1MAX.とする。  
COPLANARITY OF TERMINAL AND NAIL IS TO BE 0.1MAX.
2. スタンドオフ寸法  
DIMENSIONS OF STAND OFF.
3. ロット印字は任意とする  
LOT NUMBERING IS TO BE OPTIONAL.
4. 肉抜き位置は任意とする。  
CAVITY IS TO BE OPTIONAL.
5. カード検知スイッチ  
DETECT SWITCH
6. ELV及びRoHS適合品  
ELV AND RoHS COMPLIANT.

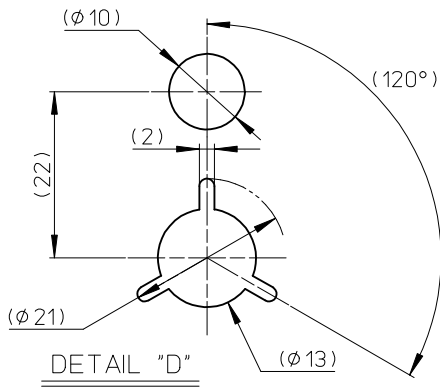
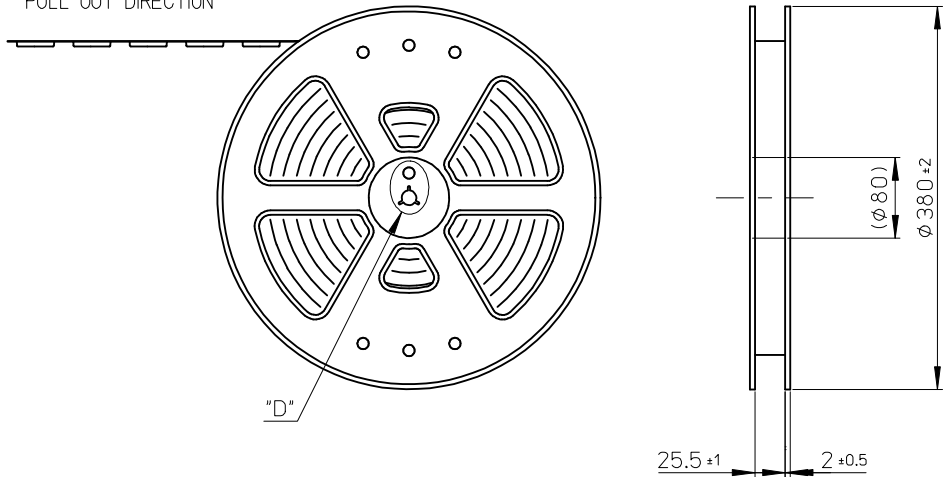
ロットNo. : 7 7 0 7 0  
 西暦(1桁目) MONTH  
 THE YEAR OF GRACE 7 : 7月  
 A : 10月  
 B : 11月  
 C : 12月  
 ラインNo. LINE No.  
 DAY  
 07 : 07日

カード挿入時 CARD INSERTING POSITION	クローズ CLOSED
カード未挿入時 NO CARD POSITION	オープン OPEN

REVISED EC NO: J2013-1070 DRW: YGOTO 2013/03/27 CHK: MTOMITA 2013/03/27 APPR: YOITO 2013/03/28	GENERAL TOLERANCES (UNLESS SPECIFIED)		DIMENSION STYLE MM ONLY		SCALE 4:1	DESIGN UNITS METRIC	THIRD ANGLE PROJECTION	
	10 UNDER	±0.2	DRAWN BY YGOTO	DATE 2013/03/08	TITLE MICRO SD CONN. NORMAL ULTRA LOW-PROFILE ASSY			
	10 OVER 30 UNDER	±0.25	CHECKED BY MTOMITA	DATE 2013/03/08				
	30 OVER	±0.3	APPROVED BY YOITO	DATE 2013/03/12	<b>molex</b>			
ANGULAR ±1 °		MATERIAL NO. SEE SHEET 1 OF 2	DOCUMENT NO. SD-503182-015	SHEET NO. 2 OF 2				
DRAFT WHERE APPLICABLE MUST REMAIN WITHIN DIMENSIONS		THIS DRAWING CONTAINS INFORMATION THAT IS PROPRIETARY TO MOLEX INCORPORATED AND SHOULD NOT BE USED WITHOUT WRITTEN PERMISSION						

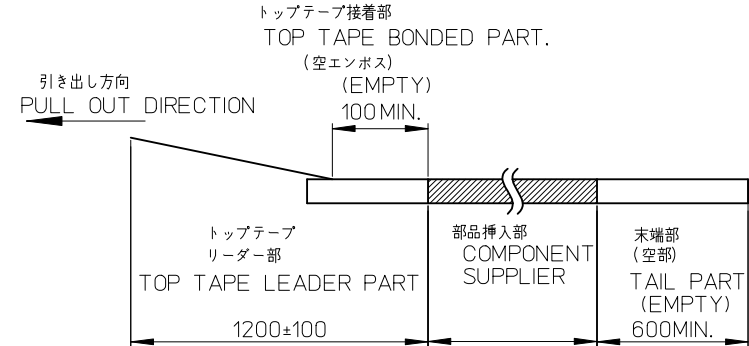
9 8 7 6 5 4 3 2

引き出し方向  
PULL OUT DIRECTION



NOTES

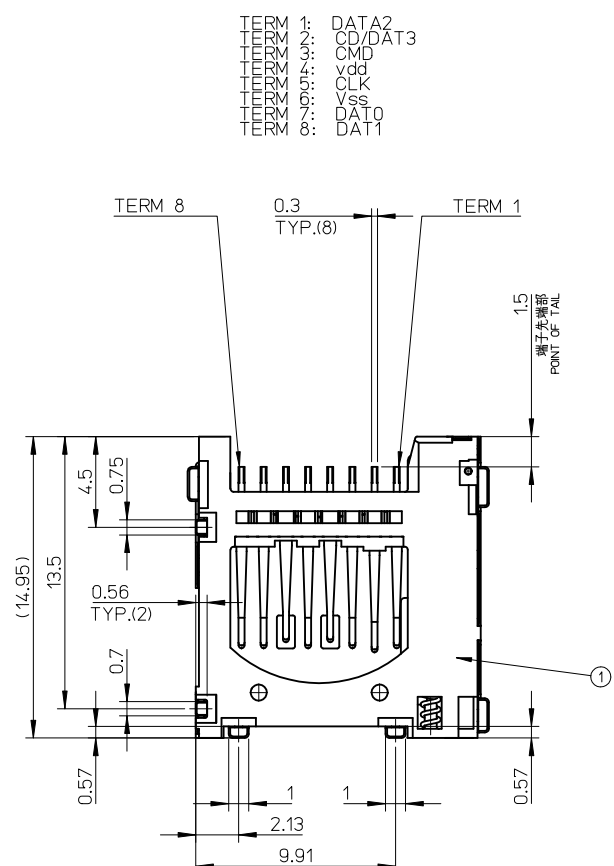
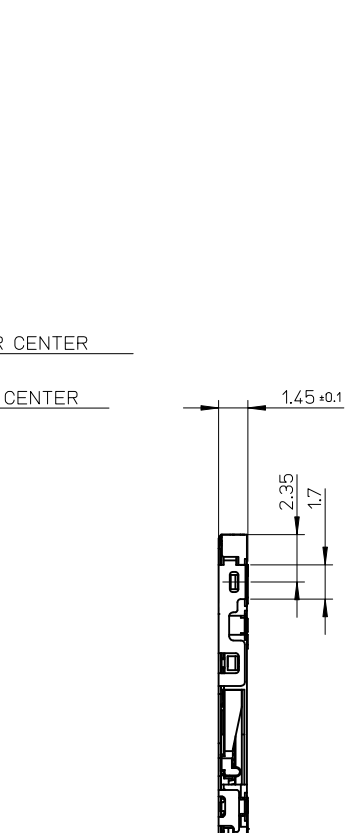
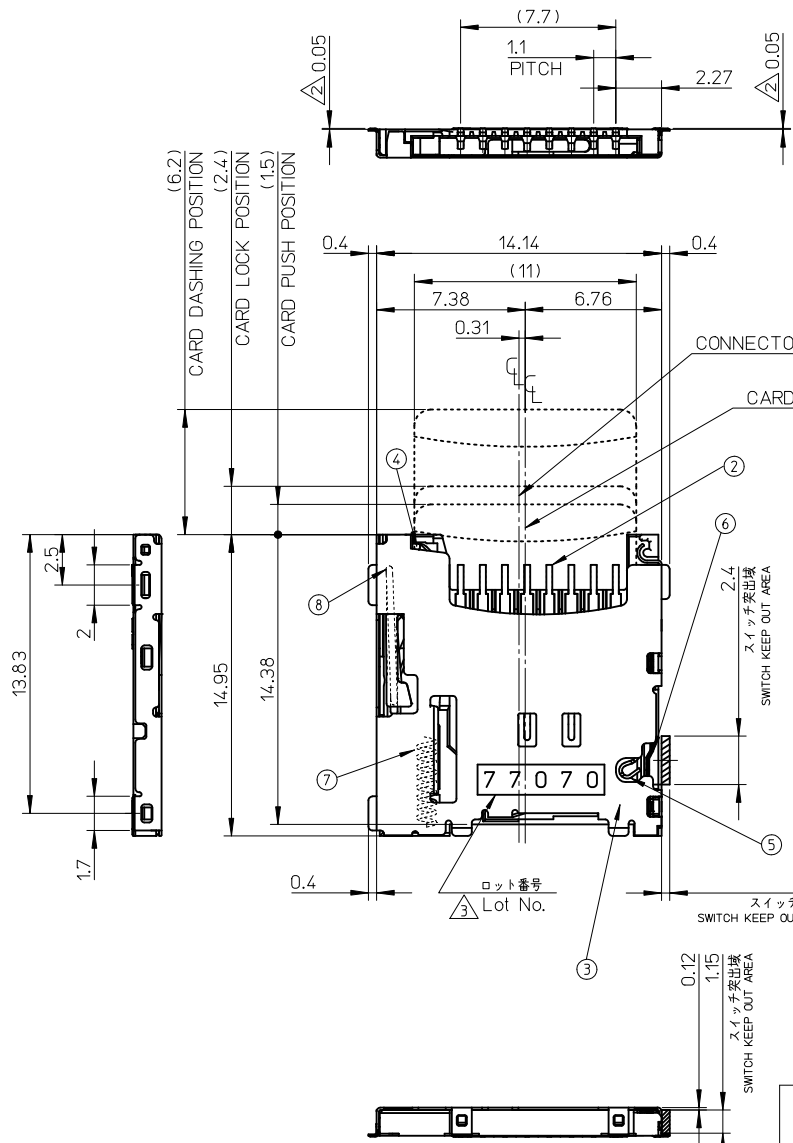
- 製品詳細寸法は製品単体図面を参照して下さい。  
FOR DETAIL OF CONNECTOR DIMENSIONS, PLEASE SEE THE DRAWING OF CONNECTOR ITSELF (NOT PACKAGED).
- 梱包数量: 1600個/リール  
NUMBER OF CONNECTORS: 1600 PCS/REEL.
- リードテープ長さ LEAD TAPE LENGTH.



- 材料 MATERIAL  
キャリアテープ(CARRIER TAPE): ポリスチレン (POLYSTYRENE)  
トップテープ(TOP TAPE): PET, OTHER  
リール(REEL): ポリスチレン(PS)<リサイクル材含む>  
POLYSTYRENE (PS)<RECYCLE MATERIAL CONTAINED>
- ELV AND RoHS COMPLIANT

503182-1853	8
EMBOSSED TAPE	極数
ORDER No. オーダー番号	CIRCUITS
CONNECTOR SERIES No. 503182-***43	

RELEASED EC NO.: J2013-0986 DRWN: YGOTO 2013/03/08 CHKD: MTOMITA 2013/03/08 APPR: YOITO 2013/03/12	DESCRIPTION REV: A	GENERAL TOLERANCES (UNLESS SPECIFIED)		DIMENSION STYLE MM ONLY		SCALE ---	DESIGN UNITS METRIC	THIRD ANGLE PROJECTION		
		10 UNDER	±0.2	DRAWN BY YGOTO	DATE 2013/03/08	TITLE MICRO SD CONN. ULTRA LOW-PRO EMBOSSED TAPE PACKAGE				
		10 OVER 30 UNDER	±0.25	CHECKED BY MTOMITA	DATE 2013/03/08	DOCUMENT NO. SD-503182-016				
		30 OVER	±0.3	APPROVED BY YOITO	DATE 2013/03/12	SHEET NO. 1 OF 2				
ANGULAR ±1 °		DRAFT WHERE APPLICABLE MUST REMAIN WITHIN DIMENSIONS		MATERIAL NO. SEE CHART		THIS DRAWING CONTAINS INFORMATION THAT IS PROPRIETARY TO MOLEX INCORPORATED AND SHOULD NOT BE USED WITHOUT WRITTEN PERMISSION				



TERM 1: DATA2  
 TERM 2: CD/DAT3  
 TERM 3: CMD  
 TERM 4: vdd  
 TERM 5: CLK  
 TERM 6: vss  
 TERM 7: DAT0  
 TERM 8: DAT1

503182-0853	8
EMBOSSD TAPE	極数
ORDER No. オーダー番号	CIRCUITS
CONNECTOR SERIES No. 503182-***43	

RELEASED EC NO.: J2010-2578 DRWN: MTAKASAKI 2010/06/17 CHKD: MTOMITA 2010/06/17 APPR: NUKITA 2010/06/29	GENERAL TOLERANCES (UNLESS SPECIFIED)		DIMENSION STYLE	SCALE	DESIGN UNITS	THIRD ANGLE PROJECTION
	10 UNDER ± 0.2		MM ONLY	4:1	METRIC	
	10 OVER 30 UNDER ± 0.25					
	30 OVER ± 0.3		DRAWN BY DATE		TITLE	
	ANGULAR ± 1 °		CHECKED BY DATE		MICRO SD CONN. NORMAL ULTRA LOW-PROFILE ASSY	
	DRAFT WHERE APPLICABLE MUST REMAIN WITHIN DIMENSIONS		APPROVED BY DATE		MOLEX MOLEX INCORPORATED	
			MATERIAL NO.		DOCUMENT NO.	
			SEE CHART		SD-503182-007	
			THIS DRAWING CONTAINS INFORMATION THAT IS PROPRIETARY TO MOLEX INCORPORATED AND SHOULD NOT BE USED WITHOUT WRITTEN PERMISSION			
			SIZE A3		SHEET NO. 1 OF 2	

F

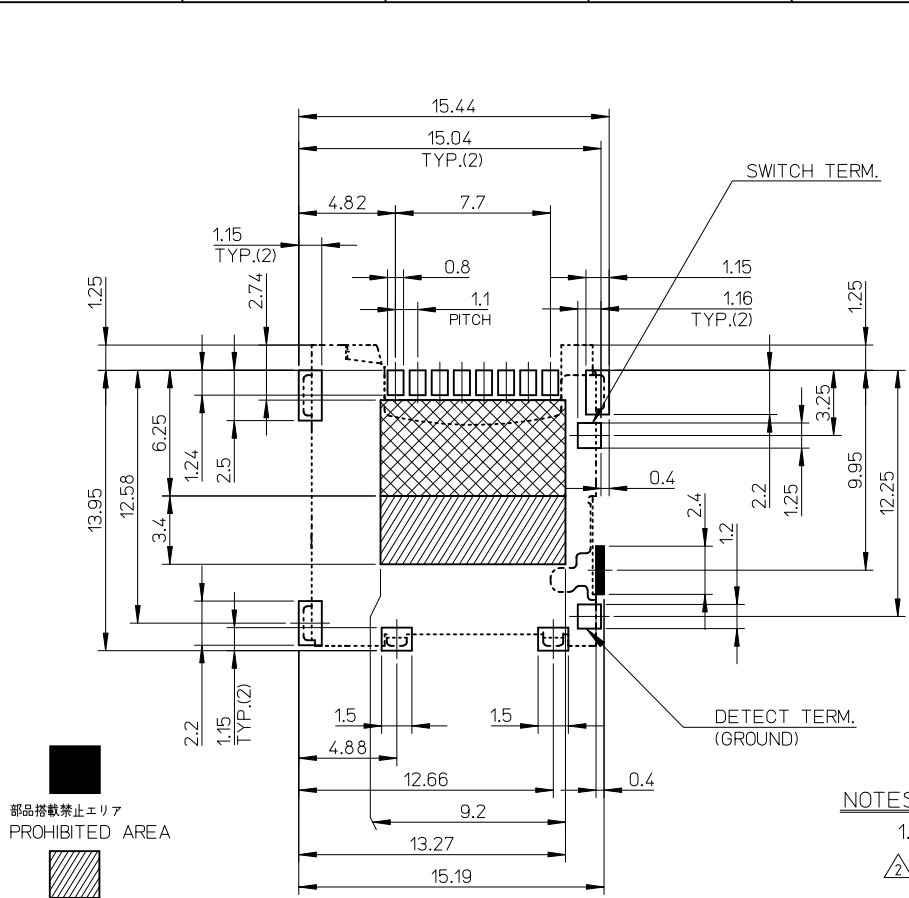
E

D

C

B

A



- 部品搭載禁止エリア  
PROHIBITED AREA
- パターン禁止エリア  
PATTERN PROHIBITION AREA
- 半田付け禁止エリア  
SOLDER PROHIBITION AREA

RECOMMENDED  
PCB PATTERN LAYOUT  
(GENERAL TOLERANCE : ±0.05)

番号 No.	名称 NAME	材料 MATERIAL
①	ハウジング HOUSING	液晶ポリマー(LCP) LIQUID CRYSTAL POLYMER (LCP)
②	ターミナル TERMINAL	銅合金、接点部：金めっき 半田付部：錫めっき 下地：ニッケルめっき COPPER ALLOY, CONTACT AREA:GOLD TAIL AREA:TIN UNDER PLATING:NICKEL
③	メタルシェル METAL SHELL	ステンレス鋼、半田付部：金めっき 下地：ニッケルめっき STAINLESS STEEL, TAIL AREA:GOLD UNDER PLATING:NICKEL
④	カムスライダー CAM SLIDER	液晶ポリマー(LCP) LIQUID CRYSTAL POLYMER (LCP)
⑤	ディテクトネイル DETECT NAIL	銅合金、接点部：金めっき 半田付部：金めっき 下地：ニッケルめっき COPPER ALLOY, CONTACT AREA:GOLD TAIL AREA:GOLD UNDER PLATING:NICKEL
⑥	スイッチネイル SWITCH NAIL	銅合金、接点部：金めっき 半田付部：金めっき 下地：ニッケルめっき COPPER ALLOY, CONTACT AREA:GOLD TAIL AREA:GOLD UNDER PLATING:NICKEL
⑦	スプリング SPRING	ピアノ線 SWP
⑧	カムピン CAM PIN	ステンレス鋼 STAINLESS STEEL

CONFIDENTIAL

NOTES

1. ターミナル及びネイルの平坦度は0.1MAX.とする。  
COPLANARITY OF TERMINAL AND NAIL IS TO BE 0.1MAX.
2. スタンドオフ寸法  
DIMENSIONS OF STAND OFF.
3. ロット印字は任意とする  
LOT NUMBERING IS TO BE OPTIONAL.
4. 肉抜き位置は任意とする。  
CAVITY IS TO BE OPTIONAL.
5. カード検知スイッチ  
DETECT SWITCH
6. ELV及びRoHS適合品  
ELV AND RoHS COMPLIANT.

カード挿入時 CARD INSERTING POSITION	クローズ CLOSED
カード未挿入時 NO CARD POSITION	オープン OPEN

ロットNo. : 7 7 0 7 0  
 西暦(1桁目) MONTH  
 THE YEAR OF GRACE 7 : 7月  
 7 : 2007年 A : 10月  
 B : 11月  
 C : 12月  
 ラインNo. LINE No.  
 DAY 07 : 07日

SEE SHEET 1 OF 2 EC NO: J2010-2578 DRW:MTAKASAKI 2010/06/17 CHKD:MTOMITA 2010/06/17 APPR:NUKITA 2010/06/29	GENERAL TOLERANCES (UNLESS SPECIFIED)		DIMENSION STYLE MM ONLY		SCALE 4:1	DESIGN UNITS METRIC	THIRD ANGLE PROJECTION
	10 UNDER	±0.2	DRAWN BY MTAKASAKI	DATE 2010/06/17	TITLE MICRO SD CONN. NORMAL ULTRA LOW-PROFILE ASSY		
	10 OVER 30 UNDER	±0.25	CHECKED BY MTOMITA	DATE 2010/06/17	MOLEX MOLEX INCORPORATED		
	30 OVER	±0.3	APPROVED BY NUKITA	DATE 2010/06/28	MATERIAL NO. SEE CHART	DOCUMENT NO. SD-503182-007	SHEET NO. 2 OF 2
	ANGULAR ±1 °	THIS DRAWING CONTAINS INFORMATION THAT IS PROPRIETARY TO MOLEX INCORPORATED AND SHOULD NOT BE USED WITHOUT WRITTEN PERMISSION					
	DRAFT WHERE APPLICABLE MUST REMAIN WITHIN DIMENSIONS						