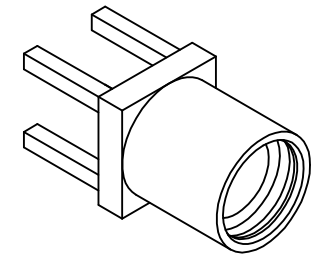
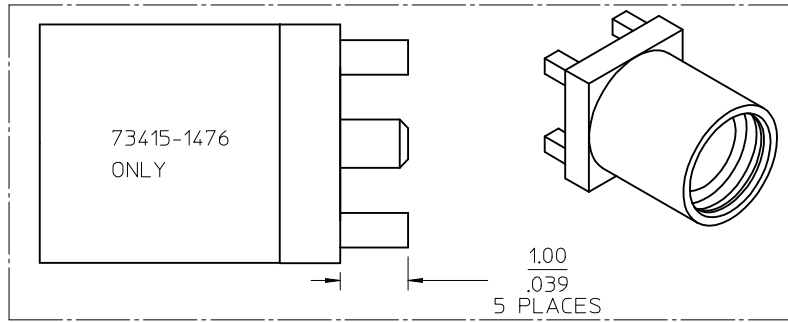


MATERIALS AND FINISHES

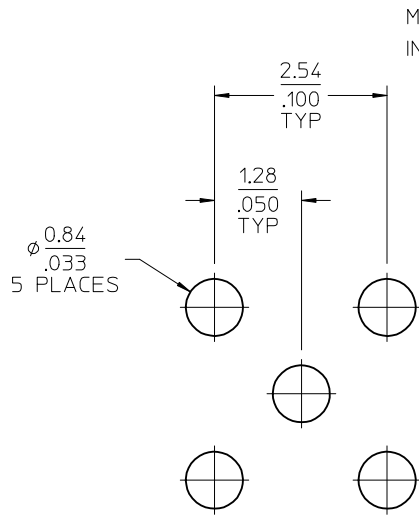
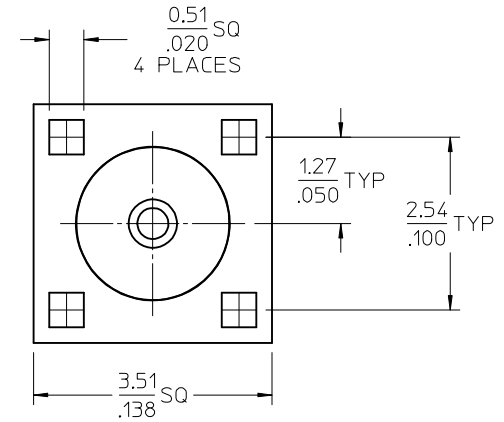
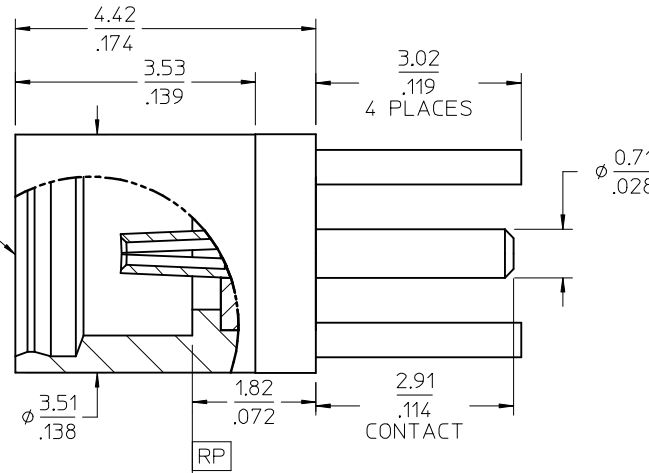
BODY SEE TABLE
PLATED SEE TABLE

CENTER CONTACT BERYLLIUM COPPER
PLATED GOLD

INSULATOR TEFLON



NOTE
PART # 73415-1473 IS
(NON-MAGNETIC)



SUGGESTED PCB LAYOUT

73415-1477	TRAY	BRASS/GOLD(PER COMMERCIAL REQUIRMENT)
73415-1476	TRAY (1.00 MM LEG LENGTHS)	BRASS/GOLD(PER COMMERCIAL REQUIRMENT)
73415-1475	P/N 73415-1471 WITH TAPE AND REEL	BRASS/GOLD(PER COMMERCIAL REQUIRMENT)
73415-1474	TRAY	BRASS/GOLD(PER COMMERCIAL REQUIRMENT)
73415-1473	BULK	BeCu/GOLD (NON MAGNETIC)
73415-1472	P/N 73415-1471, ONE PER BAG	BRASS/GOLD(PER COMMERCIAL REQUIRMENT)
73415-1471	BULK	BRASS/GOLD(PER COMMERCIAL REQUIRMENT)
73415-1470	BULK	BRASS/GOLD(PER MILITARY REQUIRMENT)
CECC 22 340	INTERFACE	
PS-89675-1920	ELECTRO/MECH PER.	
SPECIFICATION	DESCRIPTION	
	PART NO.	PACKAGING
		MATERIAL/PLATING

CHG: ADDED -1477
PDR:14121835
EC NO: URF2015-0437
DRWN:YCHENG 2015/02/10
CHKD:
APPR:YCHENG 2015/02/10

QUALITY SYMBOLS
▽=0
▽=0
B10

GENERAL TOLERANCES (UNLESS SPECIFIED)

	mm	INCH
4 PLACES	± .005	± .0004
3 PLACES	± .005	± .0004
2 PLACES	± .005	± .0004
1 PLACE	± .005	± .0004

ANGULAR ± 2°

DRAFT WHERE APPLICABLE MUST REMAIN WITHIN DIMENSIONS

DIMENSION STYLE
MM/IN

DRAWN BY DATE
TEF 2000/01/14

CHECKED BY DATE
TEF 2000/01/14

APPROVED BY DATE
GMH 2000/01/14

MATERIAL NO.
SEE TABLE

SIZE
C

SCALE
DESIGN UNITS
METRIC

THIRD ANGLE PROJECTION

TITLE
MMCX JACK, PCB MOUNT
50 OHMS
MMCX-J/PCB

MOLEX MOLEX INCORPORATED

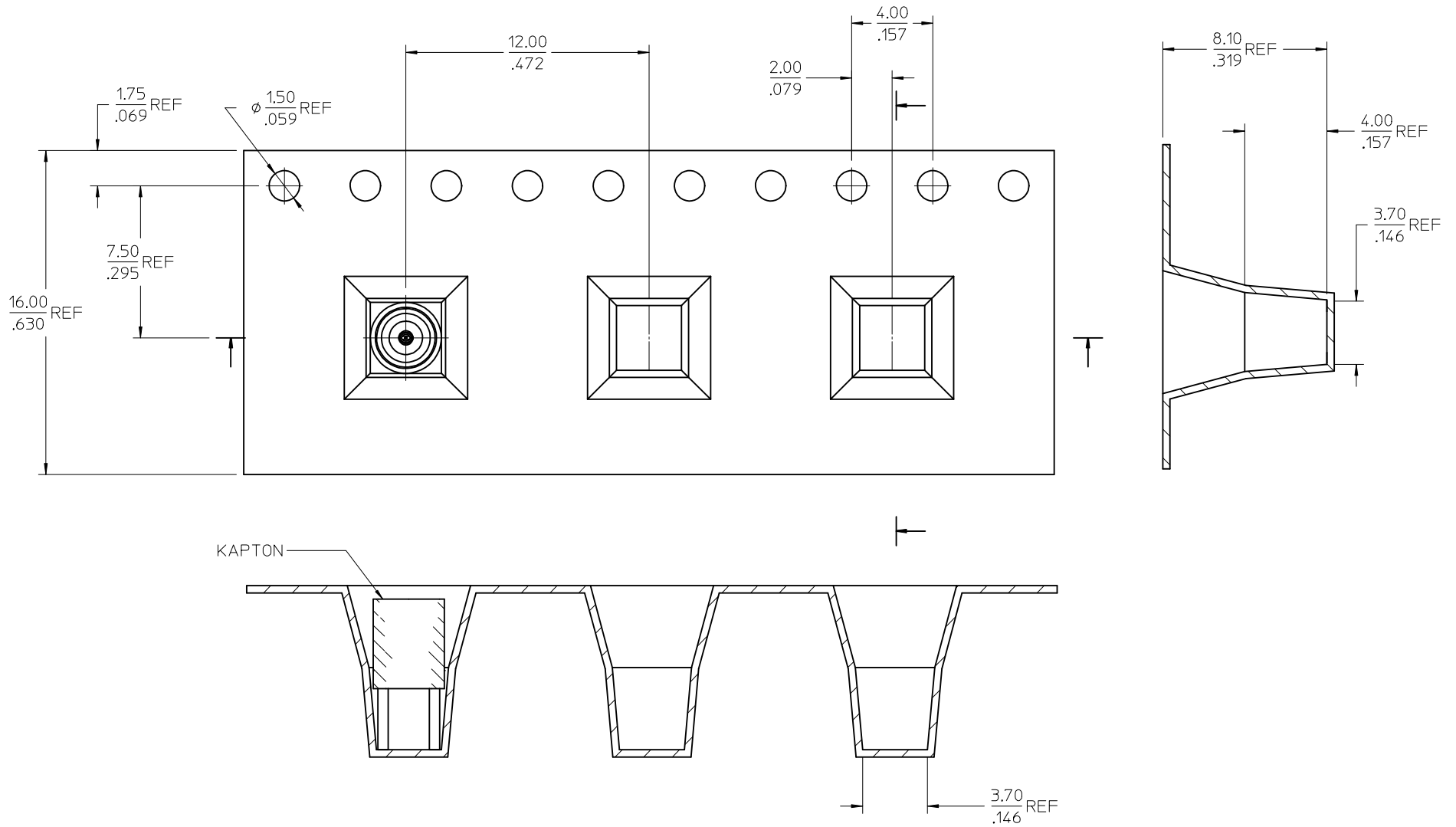
DOCUMENT NO.
SD-73415-147

SHEET NO.
1 OF 3

THIS DRAWING CONTAINS INFORMATION THAT IS PROPRIETARY TO MOLEX INCORPORATED AND SHOULD NOT BE USED WITHOUT WRITTEN PERMISSION

NOTE

DIMENSIONS ARE PROVIDED FOR REFERENCE ONLY



CHG: SEE SHEET 1

EC NO: URF2015-0437

DRWN: YCHENG 2015/02/10

CHKD: YCHENG

APPR: YCHENG 2015/02/10

DESCRIPTION

REV

B10

QUALITY SYMBOLS

▽=0

▽=0

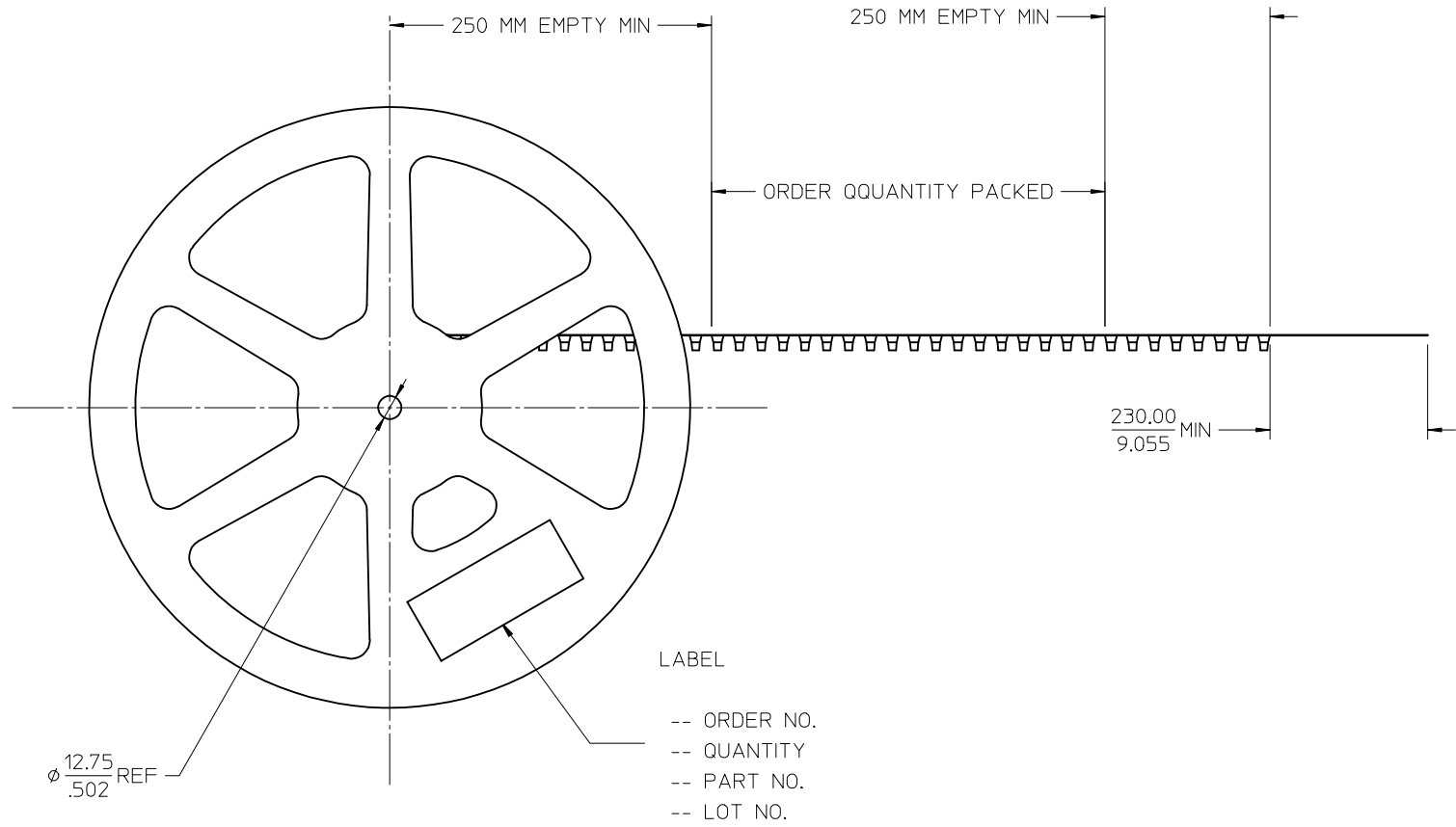
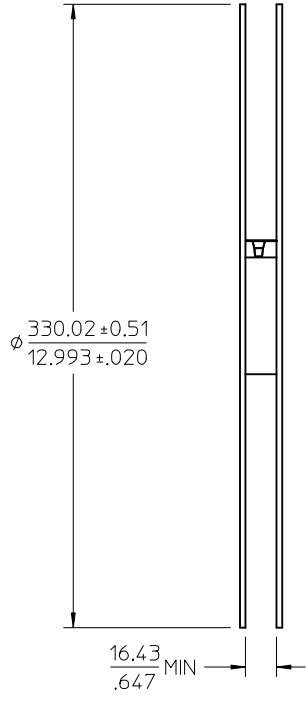
GENERAL TOLERANCES (UNLESS SPECIFIED)	
mm	INCH
4 PLACES ± .005	± .0002
3 PLACES ± .005	± .0002
2 PLACES ± .005	± .0002
1 PLACE ± .005	± .0002
ANGULAR ± 2°	

DRAFT WHERE APPLICABLE MUST REMAIN WITHIN DIMENSIONS

DIMENSION STYLE	
MM/IN	
DRAWN BY	DATE
TEF	2000/01/14
CHECKED BY	DATE
TEF	2000/01/14
APPROVED BY	DATE
GMH	2000/01/14
MATERIAL NO.	DOCUMENT NO.
SEE TABLE	SD-73415-147
SIZE	
C	

SCALE	DESIGN UNITS	THIRD ANGLE PROJECTION
METRIC		
<p>MMCX JACK, PCB MOUNT 50 OHMS MMCX-J/PCB</p> <p>MOLEX INCORPORATED</p>		
SHEET NO.		2 OF 3
<p>THIS DRAWING CONTAINS INFORMATION THAT IS PROPRIETARY TO MOLEX INCORPORATED AND SHOULD NOT BE USED WITHOUT WRITTEN PERMISSION</p>		

13" REEL SIZE



CHG: SEE SHEET 1
 EC NO: URF2015-0437
 DRWN: YCHENG 2015/02/10
 CHKD:
 APPR: YCHENG 2015/02/10

QUALITY SYMBOLS
 ▼=0
 ▽=0

GENERAL TOLERANCES (UNLESS SPECIFIED)

	mm	INCH
4 PLACES	± .005	± .0002
3 PLACES	± .005	± .0002
2 PLACES	± .005	± .0002
1 PLACE	± .005	± .0002

ANGULAR ± 2 °

DRAFT WHERE APPLICABLE MUST REMAIN WITHIN DIMENSIONS

DIMENSION STYLE: MM/IN

DRAWN BY: TEF DATE: 2000/01/14

CHECKED BY: TEF DATE: 2000/01/14

APPROVED BY: GMH DATE: 2000/01/14

MATERIAL NO. SEE TABLE

SCALE: METRIC

DESIGN UNITS: METRIC

THIRD ANGLE PROJECTION

TITLE: MMCX JACK, PCB MOUNT
 50 OHMS
 MMCX-J/PCB

MOLEX MOLEX INCORPORATED

DOCUMENT NO. SD-73415-147

SHEET NO. 3 OF 3

THIS DRAWING CONTAINS INFORMATION THAT IS PROPRIETARY TO MOLEX INCORPORATED AND SHOULD NOT BE USED WITHOUT WRITTEN PERMISSION