

NOTES :

1- MATERIAL:

- HOUSING: POLYESTER FIBER GLASS FILLED UL 94-V0 COLOR BLACK.
- TERMINAL: PHOSPHOR BRONZE.

PLATING 2:

POST PLATE (0.00127-0.00152)/.000050-.000060 GOLD IN CONTACT AREA. (0.00190)/.000075 MIN. PURE TIN IN TAIL AREA BOTH OVER (0.00127)/.000050 MIN. NICKEL OVERALL.

PLATING 7: ONLY ON REQUEST

POST PLATE 0.00005/.000002 MIN GOLD OVER 0.000763 .000030 MIN PALLADIUM NICKEL IN CONTACT AREA. 0.00190/.000075 MIN PURE TIN IN TAIL AREA. BOTH OVER 0.00127/.000050 MIN NICKEL OVERALL:

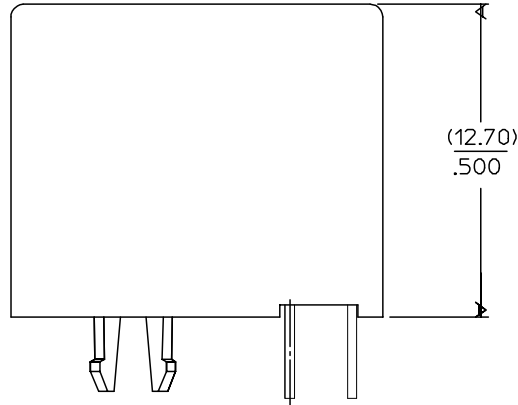
2- JACK FOR MATING WITH F.C.C. 68 PLUGS 90075 MOLEX SERIES.

3- PRODUCT SPECIFICATION PS-95003.

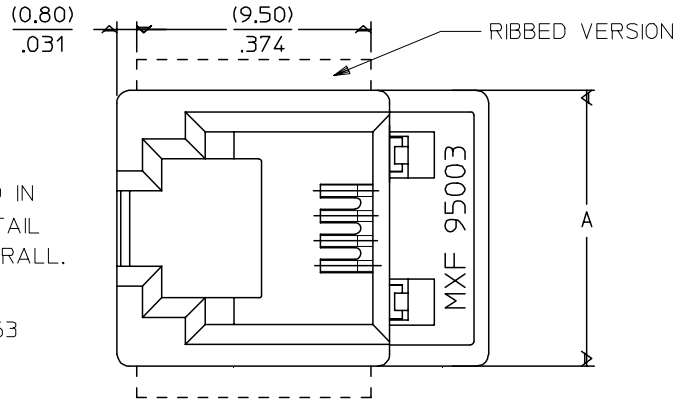
4- APPLICATION SPECIFICATION AS-95001.

5- PACKAGING SPECIFICATION PK-95003:

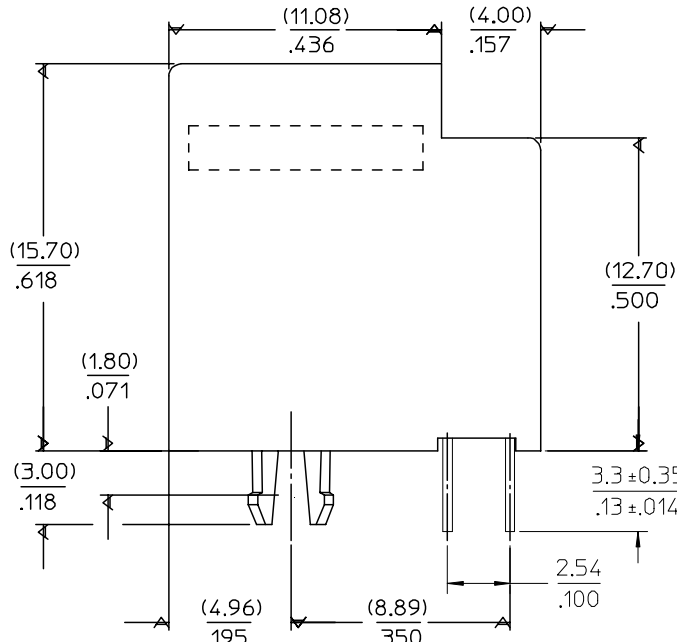
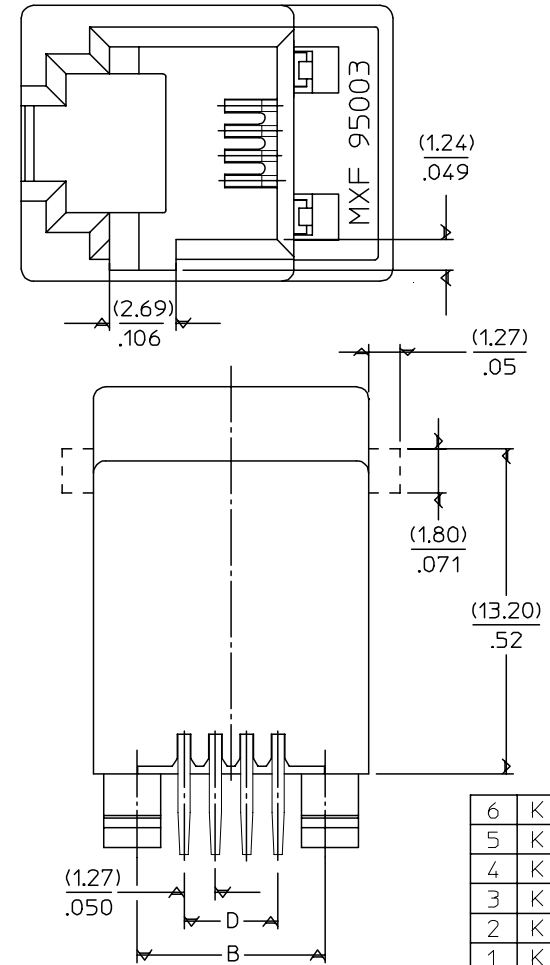
- STANDARD PACKAGING SHEET 1.
- TUBE PACKAGING FOR SMT VERSION SHEET 2.
- TUBE PACKAGING FOR THROUGH HOLE VERSION SHEET 3.



SHORT VERSION



OPTIONAL KEYING



6	K
5	K
4	K
3	K
2	K
1	K

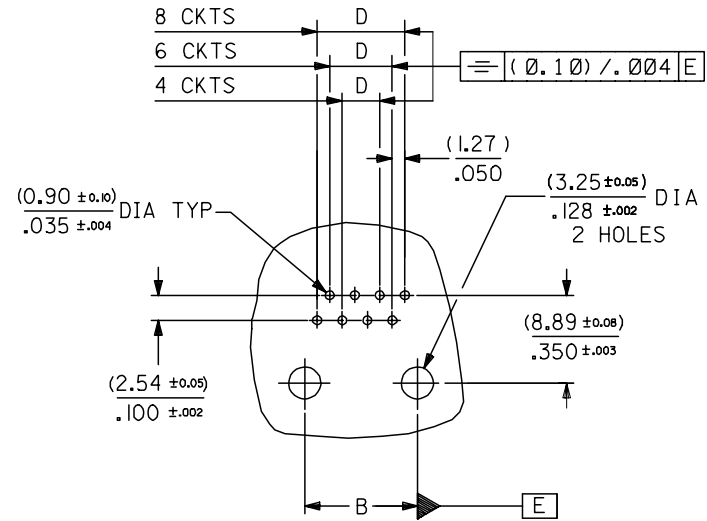
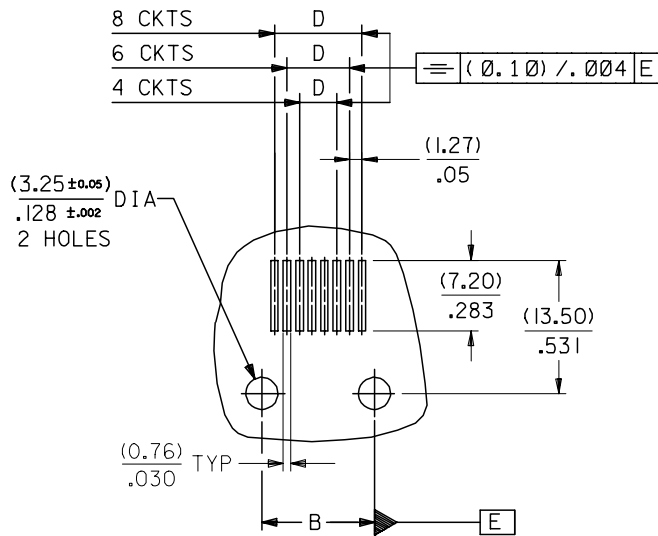
ENTER DESCRIPTION EC NO: MG2005-0119 DRAWN:KNOLLER 2004/10/06 CHKD:FCARABET 2004/10/06 APPR:KNOLLER 2004/10/11	DESCRIPTION REV	QUALITY SYMBOLS ▽=0 ▽C=0	GENERAL TOLERANCES (UNLESS SPECIFIED)		DIMENSION STYLE MM/IN	SCALE 5:1	DESIGN UNITS METRIC	THIRD ANGLE PROJECTION		
			mm	INCH	DRAWN BY GP	DATE 95/05/15	TITLE LOW PROFILE TOP ENTRY JACK (THROUGH HOLE VERSION)			
			4 PLACES	± ---	± ---	CHECKED BY	DATE 95/05/15	MOLEX INCORPORATED		
			3 PLACES	± ---	± .006	APPROVED BY	DATE 95/05/15	DOCUMENT NO. SDA-95003-F		
			2 PLACES	± 0.15	± .010	MATERIAL NO.	DATE 95/05/15	SHEET NO. 1 OF 6		
			1 PLACE	± 0.25	± ---	DRAFT WHERE APPLICABLE MUST REMAIN WITHIN DIMENSIONS		THIS DRAWING CONTAINS INFORMATION THAT IS PROPRIETARY TO MOLEX INCORPORATED AND SHOULD NOT BE USED WITHOUT WRITTEN PERMISSION		
				ANGULAR ± .5 °		SIZE A3				

DIM. \ TYPE	POS. 4		POS. 6		POS. 8	
	4 CKTS.	4 CKTS.	6 CKTS.	4 CKTS.	6 CKTS.	8 CKTS.
A	(11.18) / .440	(13.21) / .520	(13.21) / .520	(15.24) / .600	(15.24) / .600	(15.24) / .600
B (± 0.05) / ± 0.002	(7.62) / .300	(10.16) / .400	(10.16) / .400	(11.43) / .450	(11.43) / .450	(11.43) / .450
D (± 0.05) / ± 0.002	(3.81) / .150	(3.81) / .150	(6.35) / .250	(3.81) / .150	(6.35) / .250	(8.89) / .350

P.C.B. MOUNTING PATTERNS - SEE FROM COMPONENT SIDE

FOR SMT JACK (SURFACE MOUNT)

FOR STANDARD JACK (THROUGH HOLE)



ENTER DESCRIPTION EC NO: MG2005-0119 DRAWN: KNOLLER 2004/10/06 CHKD: FCARABET 2004/10/06 APPR: KNOLLER 2004/10/11	QUALITY SYMBOLS ▽=0 ▽=0	GENERAL TOLERANCES (UNLESS SPECIFIED)		DIMENSION STYLE MM/IN	SCALE 2:1	DESIGN UNITS METRIC	THIRD ANGLE PROJECTION	
		4 PLACES ± --- ± --- 3 PLACES ± --- ± .006 2 PLACES ± 0.15 ± .010 1 PLACE ± 0.25 ± --- ANGULAR ± .5 °	DRAWN BY GP	DATE 95/05/15	TITLE LOW PROFILE T/E JACK			
		DRAFT WHERE APPLICABLE MUST REMAIN WITHIN DIMENSIONS	CHECKED BY DATE	APPROVED BY DATE	MOLEX INCORPORATED			
		SIZE A3	MATERIAL NO. SEE SHT. 4, 5	DOCUMENT NO. SDA-95003-F	SHEET NO. 3 OF 6			

TRAY PACKAGING, SEE PACKAGING SPEC PK95003 SHEET 1

PART NO FOR JACK ASSEMBLY THROUGH HOLE STANDARD VERSION PART NO FOR JACK ASSEMBLY THROUGH HOLE SHORT VERSION PART NO FOR JACK ASSEMBLY S.M.T. SHORT VERSION

HOUSING SIZE	LOADED CONTACTS	PLATING	POLYESTER FIBER GLASS FILED 94V0 COLOR BLACK					POLYESTER FIBER GLASS FILED 94V0 COLOR BLACK					POLYAMIDE 4/6 FIBER GLASS FILED 94V0 COLOR GREY					POLYAMIDE 4/6 FIBER GLASS FILED 94V0 COLOR BLACK													
			NO KEY	TOOLED	KEY	TOOLED	TOOLED	NO KEY	TOOLED	KEY	TOOLED	TOOLED	NO KEY	TOOLED	KEY	TOOLED	TOOLED	NO KEY	TOOLED	KEY	TOOLED	TOOLED									
			NO RIB	NO RIB	NO RIB	NO RIB	NO RIB	NO RIB	NO RIB	NO RIB	NO RIB	NO RIB	NO RIB	NO RIB	NO RIB	NO RIB	NO RIB	NO RIB	NO RIB	NO RIB	NO RIB	NO RIB									
4	4	2	95003-2441	X	95003-2442						95003-2444		95003-2445							95003-6444		95003-6445				95003-6454		95003-6455			
6	4	2	95003-2641	X	95003-2642						95003-2644		95003-2645							95003-6644		95003-6645				95003-6654		95003-6655			
6	6	2	95003-2661	X	95003-2662						95003-2664	X	95003-2665							95003-6664	X	95003-6665				95003-6674	X	95003-6675			
8	4	2	95003-2841		95003-2842						95003-2844		95003-2845							95003-6844		95003-6845				95003-6854		95003-6855			
8	6	2	95003-2861		95003-2862						95003-2864		95003-2865							95003-6864		95003-6865				95003-6874		95003-6875			
8	8	2	95003-2881	X	95003-2882	X					95003-2884		95003-2885							95003-6884		95003-6885				95003-6894		95003-6895			

TOOLED	<input checked="" type="checkbox"/>
NOT TOOLED	<input type="checkbox"/>

ENTER DESCRIPTION EC NO: MG2005-0119 2004/10/06 DRW:KNOLLER 2004/10/06 CHKD:FCARABET 2004/10/06 APPR:KNOLLER 2004/10/11	QUALITY SYMBOLS ▽=0 ▽=0	GENERAL TOLERANCES (UNLESS SPECIFIED)		DIMENSION STYLE MM/IN		SCALE ---	DESIGN UNITS METRIC	◎ □ THIRD ANGLE PROJECTION		
		4 PLACES ± --- ± --- 3 PLACES ± --- ± --- 2 PLACES ± --- ± --- 1 PLACE ± --- ± ---	mm INCH	DRAWN BY GP	DATE 95/05/15	TITLE LOW PROFILE T/E JACK THROUGH HOLE STD. VERS. THROUGH H. SMT SHORT V.				
		DRAFT WHERE APPLICABLE MUST REMAIN WITHIN DIMENSIONS		CHECKED BY	DATE	APPROVED BY		DATE	MOLEX INCORPORATED	
				MATERIAL NO.	DOCUMENT NO.	SHEET NO.				

SEE CHART SDA-95003-F 4 OF 6
 THIS DRAWING CONTAINS INFORMATION THAT IS PROPRIETARY TO MOLEX INCORPORATED AND SHOULD NOT BE USED WITHOUT WRITTEN PERMISSION