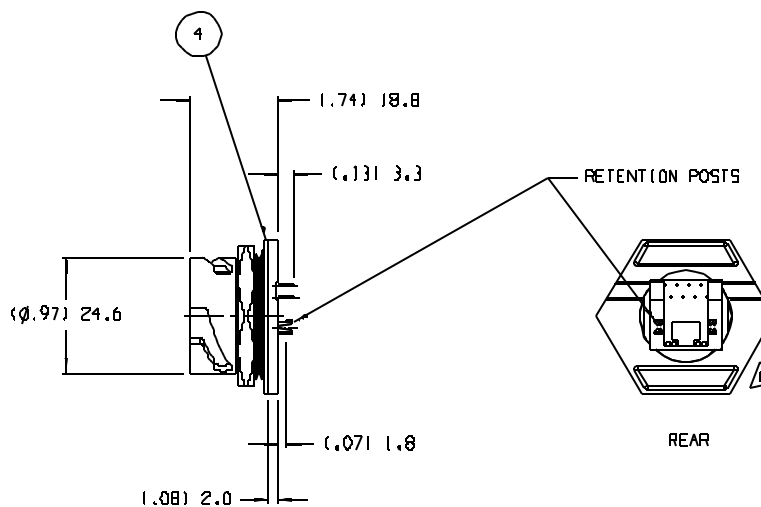
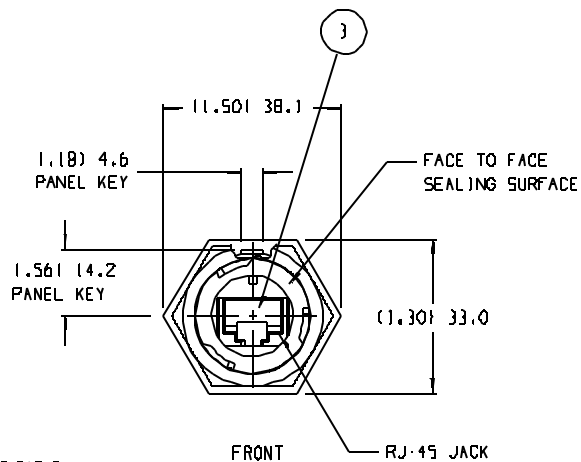


KNOCK OUT SIZE



NOTES:

1. MATERIAL: SEE TABLE
2. FINISHES: SEE TABLE
3. PRODUCT SPECIFICATION: SEE SPECS.
4. PACKAGING: AS REQUIRED
5. MATES WITH: IE (INDUSTRY STANDARD)
6. FORMERLY SD-84702-0005.

ITEM	QTY.	DESCRIPTION	MATERIAL	FINISH
4	1	PANEL GASKET	NEOPRENE	BLACK
3	1	RJ-45 JACK W/PCB MTG	POLYESTER	BLACK
2	1	LOCK NUT	POLYESTER	BLACK
1	1	RECEPTACLE HOUSING	POLYESTER	BLACK

11-17-03	EC NO.	RE-RELEASE
	DRN:	S. GILBERT
	CHK:	
	APPR:	
	REV	

QUALITY SYMBOLS	GENERAL TOLERANCES (UNLESS SPECIFIED)
MAJOR	mm (INCH)
CRITICAL	4 PLACES ±.0015
	3 PLACES ±.038 ±.005
	2 PLACES ±.13 ±.01
	1 PLACE ±.3
	ANGULAR: ±2°
	DRAFT WHERE APPLICABLE MUST REMAIN WITHIN DIMENSIONS

SCALE	DESIGN UNITS
FULL	<input type="checkbox"/> mm <input checked="" type="checkbox"/> INCH
DRAWN BY & DATE	
S. GILBERT 07-29-03	
CHECKED BY & DATE	
APPROVED BY & DATE	
CAD FILENAME	
SD-84702-008	

PROJECT NO. PRR 03-40	1	
DIMENSIONS:	SHIT	REV
<input checked="" type="checkbox"/> DIM (INCH) <input type="checkbox"/> DIM (MM) <input type="checkbox"/> DIM (ONLY)		REVISE ON CAD ONLY
TITLE:		
RECEPTACLE, RJ-45, PCB MOUNT, C/C INDUSTRIAL ETHERNET		
MOLEX INCORPORATED		
MATERIAL NO. B47020005	DRAWING NO. SD-84702-008	SHEET NO. 1 OF 1
THIS DRAWING CONTAINS INFORMATION THAT IS PROPRIETARY TO MOLEX INCORPORATED AND SHOULD NOT BE USED WITHOUT WRITTEN PERMISSION.		
	SIZE	B