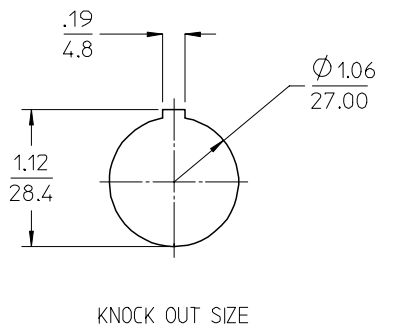
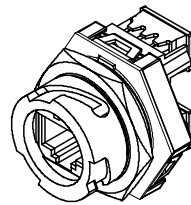
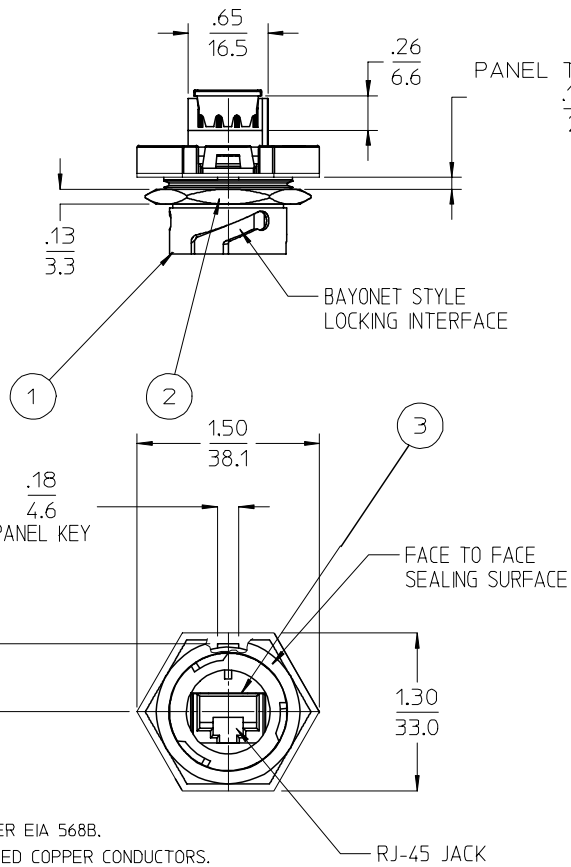
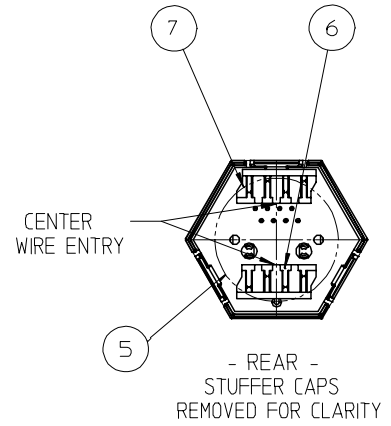
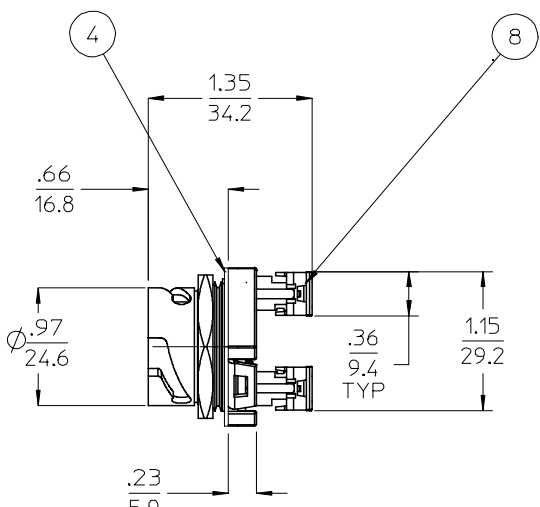


10 9 8 7 6 5 4 3 2 1

F
E
D
C
B
A



- NOTES:
1. MATERIAL: SEE TABLE
 2. FINISHES: SEE TABLE
 3. PRODUCT SPECIFICATION: SEE SPECS
 4. PACKAGING: AS REQUIRED
 5. MATES WITH INDUSTRY STANDARD
 6. FORMERLY SD-84702-0006
 7. WIRING POLARIZATION & SEQUENCE PER EIA 568B.
 8. COMPATIBLE WITH SOLID AND STRANDED COPPER CONDUCTORS.
 9. CONDUCTOR RANGES ARE 22-26AWG WITH A MAX OF 7 STRANDS PER CONDUCTOR BUNDLE. LIMITING O.D. IS 0.55"
 10. CAN BE RETERMINATED UP TO 200 TIMES.



ITEM	QTY.	DESCRIPTION	MATERIAL	FINISH
8	2	STUFFER CAP (MPN #201-345)	THERMOPLASTIC	WHITE
7	1	PUNCHDOWN BLOCK	THERMOPLASTIC	WHITE
6	1	PUNCHDOWN BLOCK	THERMOPLASTIC	WHITE
5	1	PCB	FR-4	GREEN
4	1	PANEL GASKET	NEOPRENE	BLACK
3	1	RJ-45 JACK W/PCB MTG	POLYESTER	BLACK
2	1	LOCK NUT	POLYESTER	BLACK
1	1	RECEPTACLE HOUSING	POYESTER	BLACK

ADDED NOTES 8.9.10
 EC NO: ETC2006-0133
 TDRWNSBRADLEY 2005/12/17
 CHKDRSTONE 2005/12/13
 APPR:RDEROSS 2005/12/16

QUALITY SYMBOLS
 ▽=0
 ▽=0

GENERAL TOLERANCES (UNLESS SPECIFIED)

	mm	INCH
4 PLACES	± .005	± .0005
3 PLACES	± .01	± .001
2 PLACES	± 0.13	± .01
1 PLACE	± 0.13	± .005

ANGULAR ± 2 °

DRAFT WHERE APPLICABLE
 MUST REMAIN WITHIN DIMENSIONS

DIMENSION STYLE IN/MM

DRAWN BY	DATE
S. GILBERT	03/07/30
CHECKED BY	DATE
R. KEMP	03/08/04
APPROVED BY	DATE
GHR	03/08/04

MATERIAL NO. 847020006

SCALE 4:1 DESIGN UNITS INCH

THIRD ANGLE PROJECTION

PANEL MTG. RECEPTACLE
 RJ-45 PUNCHDOWN CIC
 INDUSTRIAL ETHERNET

MOLEX INCORPORATED

DOCUMENT NO. SD-84702-004 SHEET NO. 1 OF 1

THIS DRAWING CONTAINS INFORMATION THAT IS PROPRIETARY TO MOLEX INCORPORATED AND SHOULD NOT BE USED WITHOUT WRITTEN PERMISSION

9 8 7 6 5 4 3 2 1