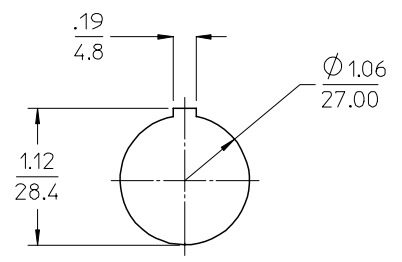
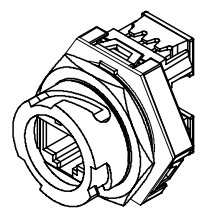
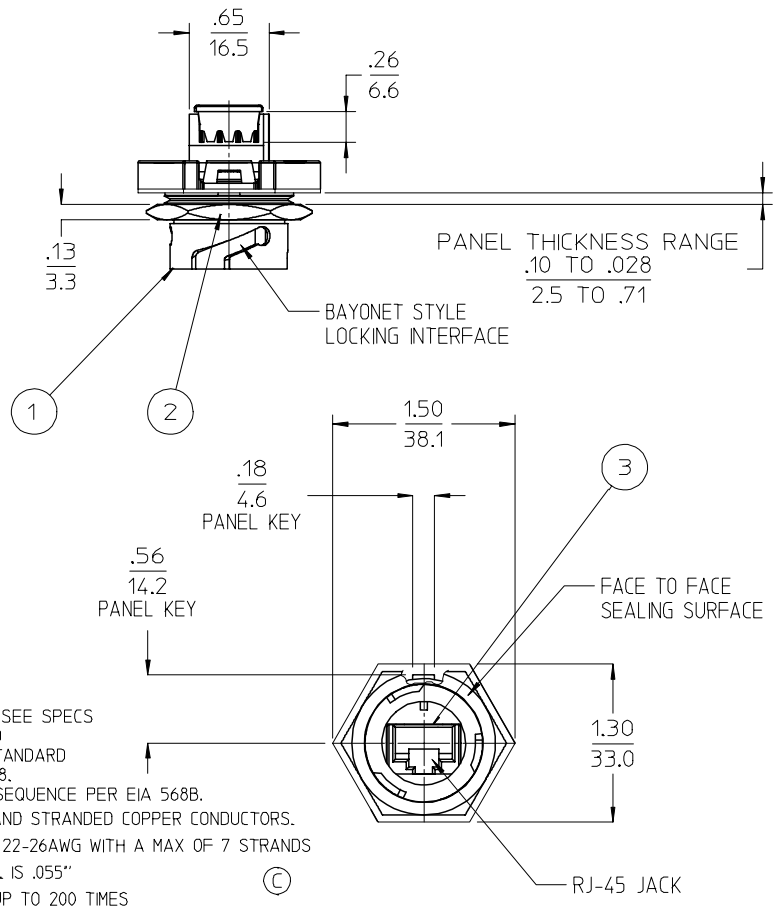
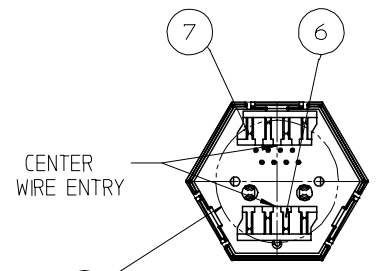
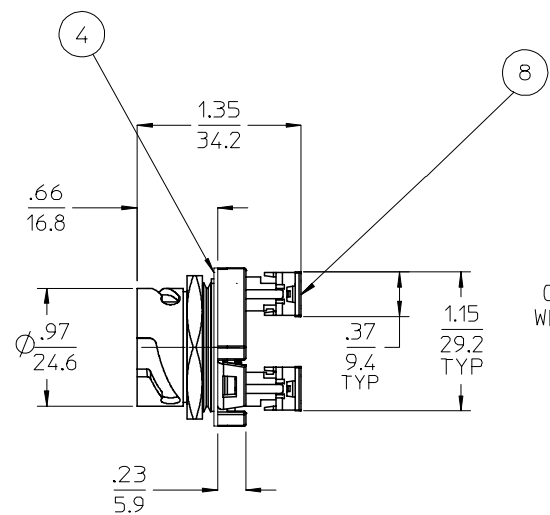


10 9 8 7 6 5 4 3 2 1

F
E
D
C
B
A



KNOCK OUT SIZE



- NOTES:
1. MATERIAL: SEE TABLE
 2. FINISHES: SEE TABLE
 3. PRODUCT SPECIFICATION: SEE SPECS
 4. PACKAGING: AS REQUIRED
 5. MATES WITH: INDUSTRY STANDARD
 6. FORMERLY SD-84702-0008.
 7. WIRING POLARIZATION & SEQUENCE PER EIA 568B.
 8. COMPATIBLE WITH SOLID AND STRANDED COPPER CONDUCTORS.
 9. CONDUCTOR RANGES ARE 22-26AWG WITH A MAX OF 7 STRANDS PER BUNDLE. LIMITING O.D. IS .055"
 10. CAN BE RETERMINATED UP TO 200 TIMES

9	A/R	POTTING COMPOUND (NOT SHOWN)	EPOXY	BLACK
8	2	STUFFER CAP (MPN #201-345)	THERMOPLASTIC	WHITE
7	1	PUNCHDOWN BLOCK	THERMOPLASTIC	WHITE
6	1	PUNCHDOWN BLOCK	THERMOPLASTIC	WHITE
5	1	PCB	FR-4	GREEN
4	1	PANEL GASKET	NEOPRENE	BLACK
3	1	RJ-45 JACK W/PCB MTG	POLYESTER	BLACK
2	1	LOCK NUT	POLYESTER	BLACK
1	1	RECEPTACLE HOUSING	POYESTER	BLACK
ITEM	QTY.	DESCRIPTION	MATERIAL	FINISH

ADDED NOTES 8.9.10	QUALITY SYMBOLS
EC NO: ETC2006-0133	$\nabla=0$
DRWNS:SRADLEY 2005/12/17	$\nabla=0$
CHKD:RSTONE 2005/12/17	
APPR:RDEROSS 2005/12/16	
REV	DESCRIPTION

GENERAL TOLERANCES (UNLESS SPECIFIED)	
	mm
4 PLACES	± .005
3 PLACES	± .01
2 PLACES	± .013
1 PLACE	± .013
ANGULAR ± 2 °	
DRAFT WHERE APPLICABLE MUST REMAIN WITHIN DIMENSIONS	

DIMENSION STYLE	
IN/MM	
DRAWN BY	DATE
S. GILBERT	03/07/30
CHECKED BY	DATE
P. WAITZ	03/11/20
APPROVED BY	DATE
GHR	04/03/08
MATERIAL NO.	DOCUMENT NO.
847020008	SD-84702-005
SIZE	
B	

SCALE	DESIGN UNITS	THIRD ANGLE PROJECTION
4:1	INCH	\odot \square
TITLE		
PANEL MTG. RECEPTACLE RJ-45 PUNCHDOWN CIC FULLY POTTED ETHERNET		
MOLEX INCORPORATED		
SHEET NO.	1 OF 1	

9 8 7 6 5 4 3 2 1