

NOTES :

1- MATERIAL:

- HOUSING: LCP FIBER GLASS FILLED UL 94-V0 COLOR BLACK.
- TERMINAL: PHOSPHOR BRONZE

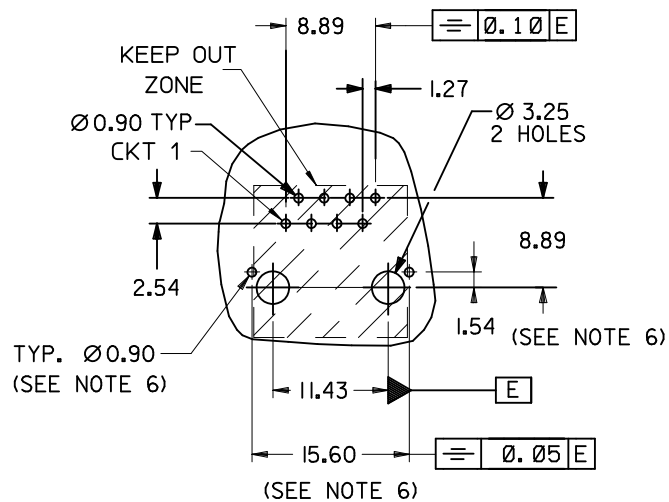
PLATING :

- BASE FINISH: NICKEL
- CONTACT SURFACE FINISH: GOLD,
- OR
- GOLD FLASH OVER PALLADIUM NICKEL.
- EXCEEDS PRODUCT REQUIREMENTS BASED ON PS-85506-001

- 2- JACK FOR MATING WITH IEC 60603-7 AND TIA-1096-A PLUGS (90075 MOLEX SERIES.)
- 3- PRODUCT SPECIFICATION PS-85506-001
- 4- MANUFACTURING I.D. CAN BE MG, MXF OR MXI.
- 5- PACKAGING SPECIFICATION PK-95003; SHEET 1 (TRAY PACKAGING)
- 6- THESE 3 DIMENSIONS ARE ONLY ADVISED AND DEPEND ON THE SHIELD TO BE ADDED.
- 7- EXCEEDS CATEGORY 5E PERFORMANCE.
- 8- APPLICATION SPECIFICATION: AS-85513-001

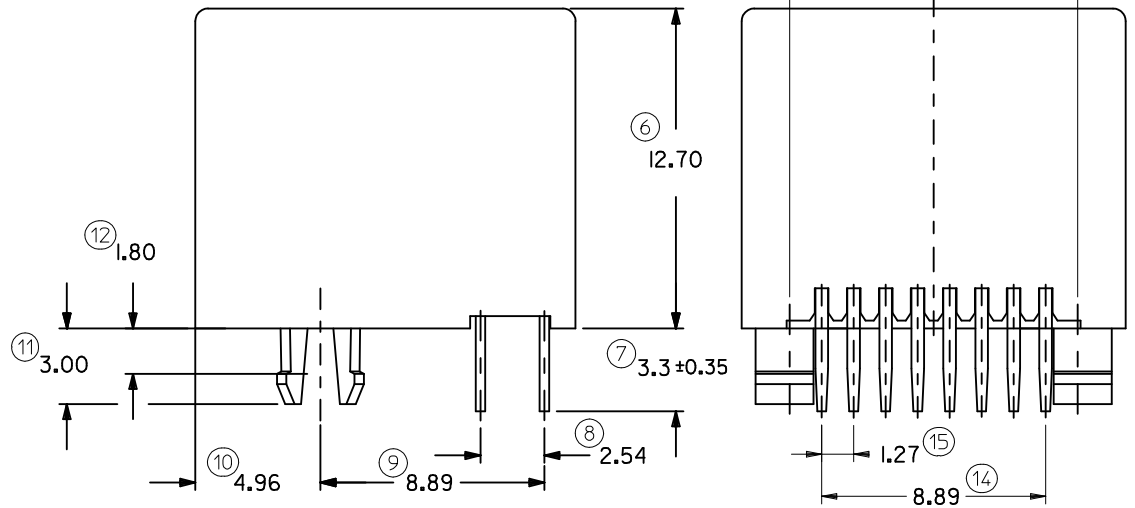
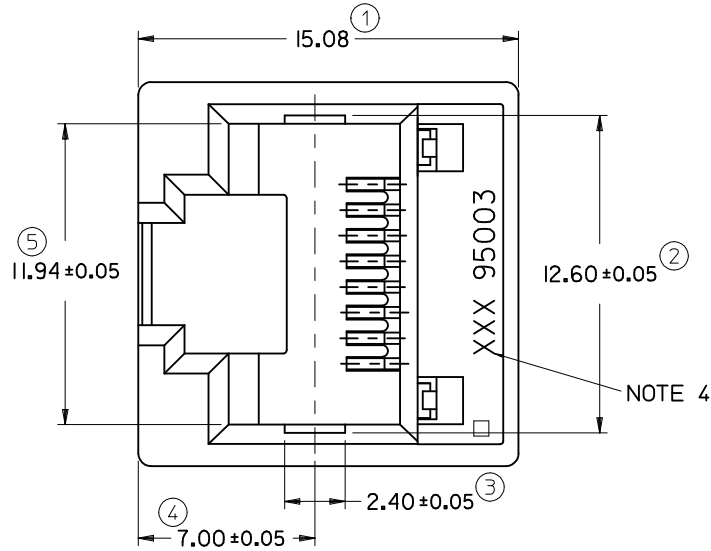
LAST INSPECTION NUMBER: 15

P.C.B. MOUNTING PATTERN
(see from component side)
ALL DIMENSIONS REF DIMENSIONS



SCALE 2:1

PART No.
85511-5002



REMOVED PLATING OPTION EC NO: IPG2012-0699 DRWN:DBYRNES 2012/04/03 CHKD:MSHAHAN 2012/04/17 APPR:EFOLAN 2012/06/28	QUALITY SYMBOLS	GENERAL TOLERANCES (UNLESS SPECIFIED)	DIMENSION STYLE MM ONLY	SCALE 5:1	DESIGN UNITS METRIC	THIRD ANGLE PROJECTION	
	DESCRIPTION	mm INCH	DRAWN BY HB	DATE 00/04/14	TITLE SHORT TOP ENTRY HIGH SPEED JACK 8/8 (SPECIAL VERSION)		
	REV	0 PLACES ± --- ± --- 3 PLACES ± --- ± --- 2 PLACES ± 0.15 ± --- 1 PLACE ± 0.25 ± --- ANGULAR ± 1/2°	DATE 00/04/14	APPROVED BY FB	DATE 00/04/14	MOLEX INCORPORATED	
		DRAFT WHERE APPLICABLE MUST REMAIN WITHIN DIMENSIONS	SEE CHART	MATERIAL NO.	DOCUMENT NO. SD-85511-502	SHEET NO. 1 OF 1	