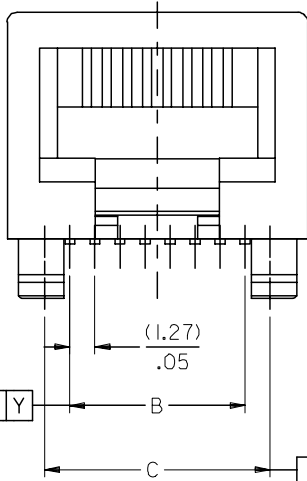
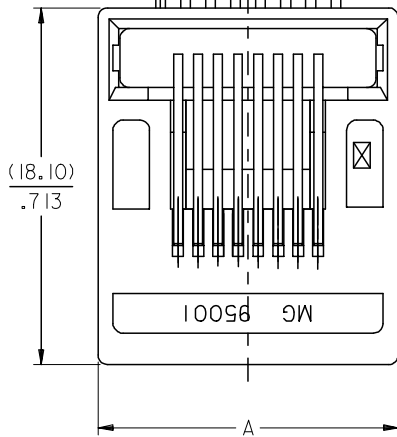


6 & 8 VERSIONS

8 VERSION SHOWN

CIRCUIT 1
(8 CKTS VERSION)

CIRCUIT 1
(6 CKTS VERSION)



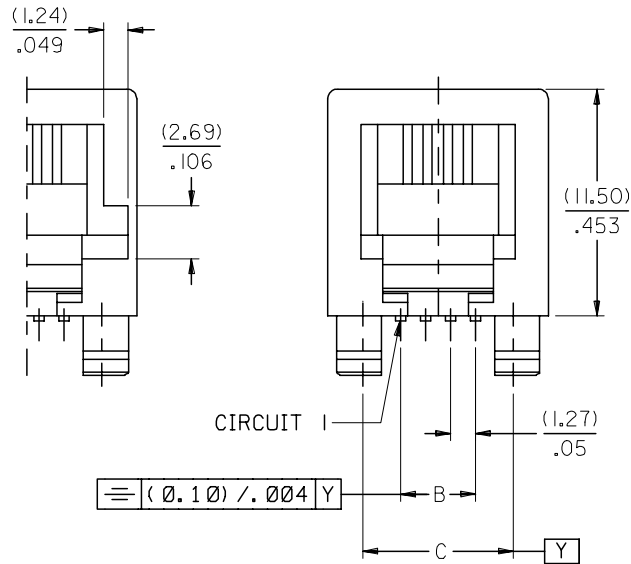
NOTES :

1- MATERIAL:

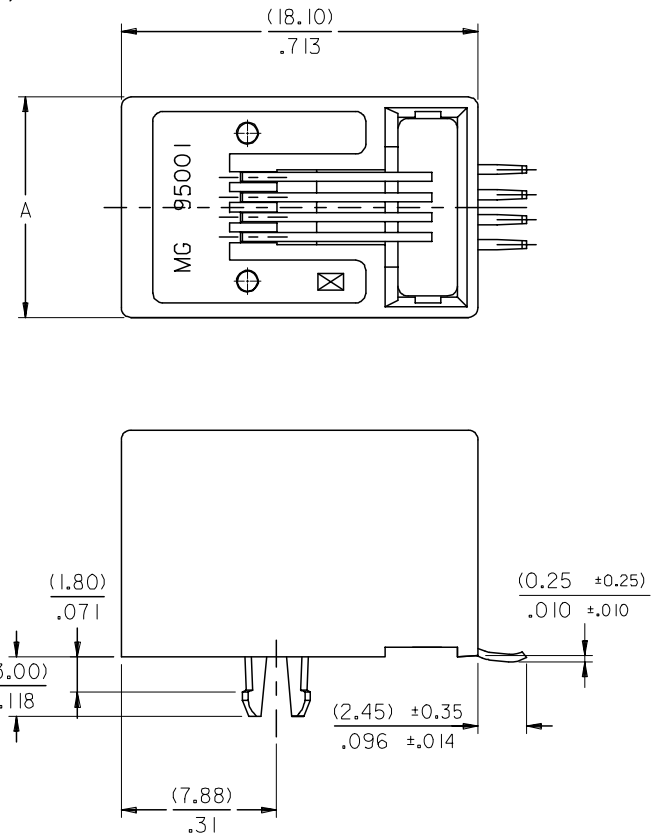
-HOUSING: POLYAMIDE 4/6 FIBER GLASS FILLED UL 94-V0,
COLOR GREY.
SPECIAL VERSION COLOR BLACK

2- SEE OTHER NOTES SHEET 1

OPTIONAL KEYING



4 VERSION ONLY



EC NO: MG2005-0106 2004/10/12 DRAWN: MARTIN CHKD: FCARABET APPR: KNOLLER 2004/10/13	QUALITY SYMBOLS ▽=0 ▽=0	GENERAL TOLERANCES (UNLESS SPECIFIED)		DIMENSION STYLE	SCALE	DESIGN UNITS	THIRD ANGLE PROJECTION
		mm	INCH	MM/IN	4:1	METRIC	
REV	DESCRIPTION	4 PLACES	±---	±---	DRAWN BY	DATE	TITLE
		3 PLACES	±---	±.006	FB	1993/02/24	R/A LOW PROFILE PC JACK 4,6,8 CKTS SIZE SMT VERSION
		2 PLACES	±0.15	±.010	CHECKED BY	DATE	
		1 PLACE	±0.25	±---	ER	1993/02/24	
		ANGULAR		±---°	APPROVED BY	DATE	
		DRAFT WHERE APPLICABLE MUST REMAIN WITHIN DIMENSIONS		SEE CHART SHEETS 4,5&6	JB	1993/02/24	
		SIZE	THIS DRAWING CONTAINS INFORMATION THAT IS PROPRIETARY TO MOLEX INCORPORATED AND SHOULD NOT BE USED WITHOUT WRITTEN PERMISSION		MATERIAL NO.		DOCUMENT NO.
		A3			SDA-95001		SHEET NO. 2 OF 9

SPECIAL PACKAGING TUBE, SEE PACKAGING SPEC PK95001 SHEET 3

PART NO FOR JACK ASSEMBLY
STANDARD VERSION

PART NO FOR JACK ASSEMBLY
S.M.T. VERSION

HOUSING SIZE	LOADED CONTACTS	PLATING	POLYESTER FIBER GLASS FILED 94V0, COLOR BLACK.						POLYAMIDE 4/6 FIBER GLASS FILED 94V0 COLOR GREY						SPECIAL VERSION				
			NO KEY		KEY		TOOLED	TOOLED	NO KEY		KEY		NOT KEY		TOOLED	TOOLED	POLYESTER BLACK LOW TEMP.		
			NOT RIBBED	TOOLED	NOT RIBBED	TOOLED			NOT RIBBED	TOOLED	NOT RIBBED	TOOLED	NOT RIBBED	TOOLED			NOT RIBBED	TOOLED	
4	4	2	95001-2401	X	95001-2402					95001-6441	X	95001-6442	95001-6449	X					
		7	95001-4401	X															
6	4	2	95001-2601	X	95001-2602					95001-6641	X	95001-6642	95001-6649	X					
6	6	2	95001-2611	X	95001-2612					95001-6661	X	95001-6662	95001-6669	X					
		7	95001-4611	X															
8	4	2	95001-2801		95001-2802					95001-6841		95001-6842	95001-6849				95001-2843	X	
8	6	2	95001-2811	X	95001-2812					95001-6861	X	95001-6862	95001-6869	X			95001-2863	X	
8	8	2	95001-2821	X	95001-2822	X				95001-6881	X	95001-6882	X	95001-6889	X				

EC NO: MG2005-0106 DRAWN: MARTIN 2004/10/12 CHKD: FCARABET 2004/10/12 APPR: KNOLLER 2004/10/13	QUALITY SYMBOLS ▽=0 ▽=0	GENERAL TOLERANCES (UNLESS SPECIFIED)		DIMENSION STYLE MM ONLY	SCALE ---	DESIGN UNITS METRIC	THIRD ANGLE PROJECTION		
				mm	INCH	DRAWN BY DATE		TITLE LOW PROFILE R/A JACK STANDARD AND SMT VERSION TUBE PACKAGING	
		4 PLACES ±---		±---	±---	GP 1993/10/05			
		3 PLACES ±---		±---	±---	CHECKED BY DATE		MOLEX INCORPORATED DOCUMENT NO. SDA-95001 SHEET NO. 6 OF 9	
2 PLACES ±---		±---	±---	FB 1993/10/05					
1 PLACE ±---		±---	±---	APPROVED BY DATE					
		ANGULAR ±---°		MATERIAL NO.					
		DRAFT WHERE APPLICABLE MUST REMAIN WITHIN DIMENSIONS		SEE CHART					