

SHIELDED MODULAR JACK SHOWN WITH PANEL GROUND OPTION 'D' AND FRONT PCB GROUND TABS.

NOTES:

1) MATERIAL:

HOUSING: NYLON(PA), GLASS FILLED, UL94V-0, COLOR: SEE SHEETS 5 AND 6
 INSULATOR: NYLON(PA), GLASS FILLED, UL94V-0, COLOR: SEE SHEETS 5 AND 6
 TERMINALS: PHOSPHOR BRONZE, .012/ 0.30 THICK
 SHIELD: BRASS, .007/ 0.18 THICK

2) FINISH:

TERMINALS:

A = SELECT GOLD IN CONTACT AREA: 50 MICROINCHES / 1.27 MICROMETERS MIN.,
 *SELECT TIN IN PC TAIL AREA: 100 MICROINCHES / 2.54 MICROMETERS MIN.,
 WITH OVERALL NICKEL UNDERPLATE: 50 MICROINCHES / 1.27 MICROMETERS MIN.
 B = SELECT GOLD IN CONTACT AREA: 30 MICROINCHES / 0.76 MICROMETERS MIN.,
 *SELECT TIN IN PC TAIL AREA: 100 MICROINCHES / 2.54 MICROMETERS MIN.,
 WITH OVERALL NICKEL UNDERPLATE: 50 MICROINCHES / 1.27 MICROMETERS MIN.
 *THE PRIMARY SHIPPING CARTON WILL BE LABELED "COMPLIANT TO RoHS
 DIRECTIVE 2002/95/EC AND ELV ANNEX II OF DIRECTIVE 2000/53/EC".
 CARTONS WITHOUT THIS LABEL MAY CONTAIN PRODUCT WITH TIN-LEAD
 IN THE PC TAILS AND/OR SHIELD.

SHIELD:

100 MICROINCHES / 2.54 MICROMETERS NICKEL OVER 50 MICROINCHES / 1.27
 MICROMETERS COPPER UNDERPLATE PCB GROUND TABS DIPPED IN TIN

3) PRODUCT SPECIFICATION AND PROCESSING PARAMETERS: PS-43202.

4) PACKAGING SPECIFICATION:

UNSHIELDED CONNECTOR ASSEMBLIES PACKAGED IN THERMOFORMED TRAYS
 PER MOLEX PACKAGING SPECIFICATION PK-43202-003.
 UNSHIELDED CONNECTOR ASSEMBLIES PACKAGED IN TUBES
 PER MOLEX PACKAGING SPECIFICATION PK-43202-005.
 SHIELDED CONNECTOR ASSEMBLIES PACKAGED IN THERMOFORMED TRAYS
 PER MOLEX PACKAGING SPECIFICATION PK-43202-004.

5) SEE SHEETS 7 - 9 FOR P.C. BOARD LAYOUTS.

6) CONFORMS TO FCC REGULATION PART 68.5 FOR MODULAR JACKS.

7) THIS PART CONFORMS TO CLASS B REQUIREMENTS OF COSMETIC
 SPECIFICATION PS-45499-002.

DRAWING LEGEND

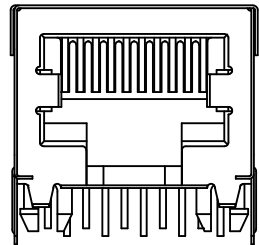
- SHEET 1- NOTES, DRAWING LEGEND
- SHEET 2- SHIELDED MODULAR JACK W/ BOTTOM GROUND TABS
- SHEET 3- SHIELDED MODULAR JACK W/O BOTTOM GROUND TABS
- SHEET 4- UNSHIELDED MODULAR JACK
- SHEET 5- PART NUMBER CHARTS
- SHEET 6- PART NUMBER CHARTS
- SHEET 7- FOOTPRINT LAYOUT FOR 4 POSITION HOUSING
- SHEET 8- FOOTPRINT LAYOUT FOR 6 POSITION HOUSING
- SHEET 9- FOOTPRINT LAYOUT FOR 8 POSITION HOUSING

| | | | | | | | | | | |
|--|--|--------------------------------------|---|-----------------------------------|--------------------------|--|--------------|---------------------------------------|------------------------|--|
| ADD VIEWS EC NO: UCP2012-2472 DRWNG: NGUYEN CHKD: J.BELL APPR: F.SMITH L5 | 2012/02/03 2012/02/03 2012/02/09 | QUALITY SYMBOLS ▽=0 ▽=0 ▽=0 | GENERAL TOLERANCES (UNLESS SPECIFIED) | | DIMENSION STYLE IN/MM | | SCALE 4:1 | DESIGN UNITS INCH | THIRD ANGLE PROJECTION | |
| | | | 4 PLACES ± --- ± --- 3 PLACES ± --- ± .010 2 PLACES ± 0.25 ± .014 1 PLACE ± 0.36 ± --- | DRAWN BY DATE JTR 1993/03/31 | | TITLE ULTRA LOW PROFILE RIGHT ANGLE MODULAR JACK ASSEMBLY | | MOLEX MOLEX INCORPORATED SDA-43202 | | |
| | | | ANGULAR ± 1/2° | CHECKED BY DATE JTR 1993/03/31 | | APPROVED BY DATE F.SMITH 2012/02/09 | | | | |
| | DRAFT WHERE APPLICABLE MUST REMAIN WITHIN DIMENSIONS | | | SEE SHTS 5&6 | | THIS DRAWING CONTAINS INFORMATION THAT IS PROPRIETARY TO MOLEX INCORPORATED AND SHOULD NOT BE USED WITHOUT WRITTEN PERMISSION | | | | |

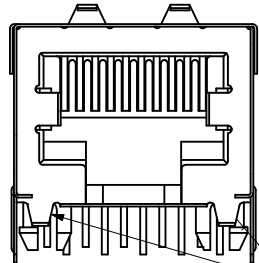
SHIELDED MODULAR JACK W/BOTTOM GROUND TABS

SIZE 8 LOADED 10 VERSION SHOWN

SIDE/TOP GROUND TAB OPTIONS FOR SHIELDS



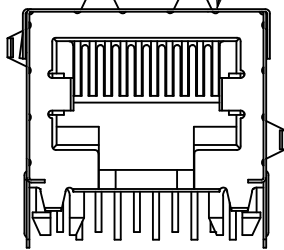
OPTION "A"
NO TOP OR SIDE TABS



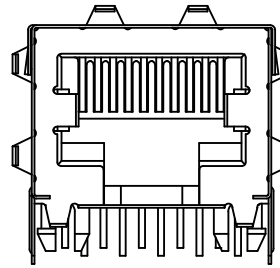
OPTION "B"
TOP TABS
BOTTOM GROUND TABS

OPTIONAL TOP GROUND TABS

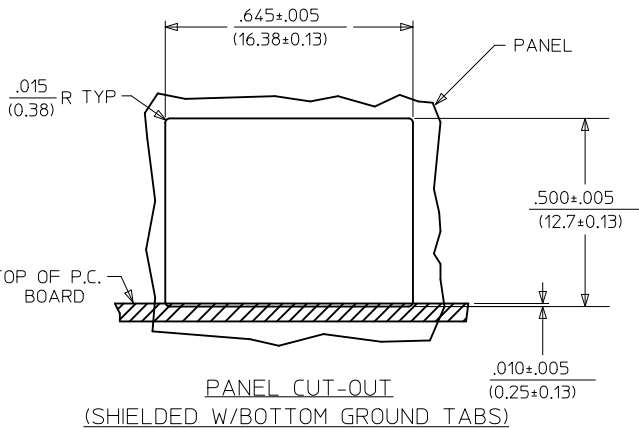
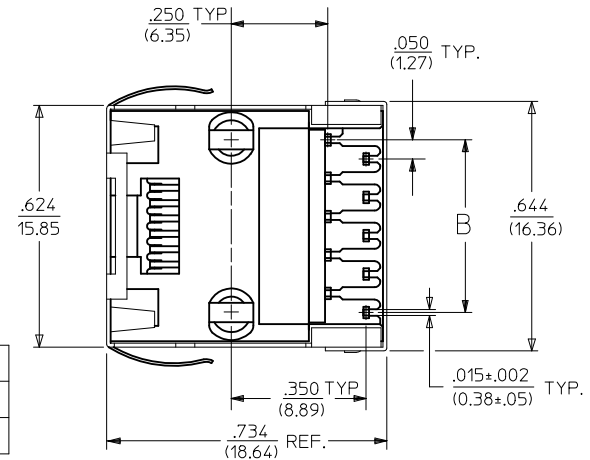
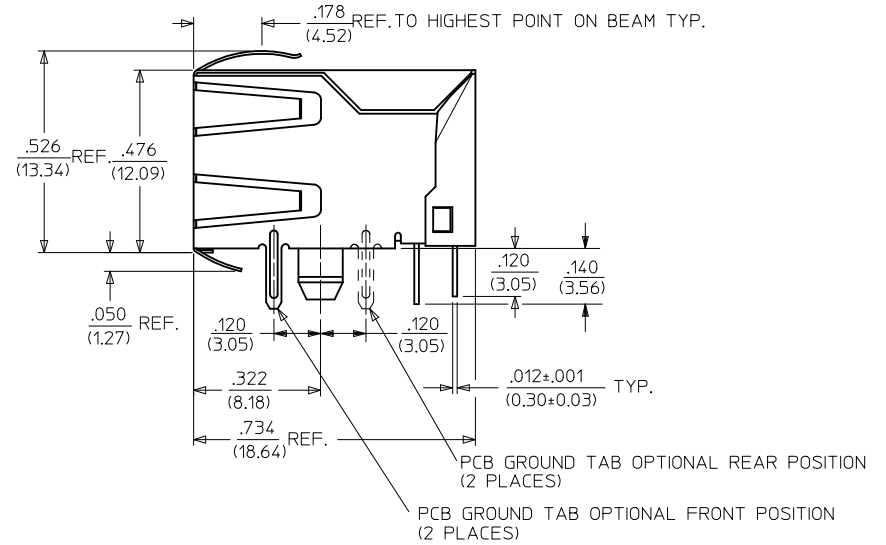
SHIELDED MODULAR JACK ASSEMBLY
SEE SHEET 5 FOR MATERIAL NO.



OPTION "C"
TOP AND STAGGERED SIDE TABS



OPTION "D"
TOP AND SIDE TABS
OPTIONAL SIDE GROUND TABS (2 PLACES)



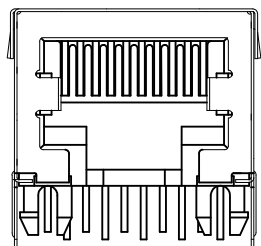
| HOUSING SIZE | CIRCUIT SIZE | B |
|--------------|--------------|------------------------|
| 8 | 10 | .450±.005 11.43±.13 |
| 8 | 8 | .350±.005 8.89±.13 |

| | | | | | | | |
|---|--------------------------------------|--|-----------------|------------|--------------|---|------------------------|
| SEE SHEET 1 EC NO: UCP2012-2472 DRAWN: NGUYEN CHKD: BELL APPR: FSMITH | QUALITY SYMBOLS ▽=0 ▽=0 ▽=0 | GENERAL TOLERANCES (UNLESS SPECIFIED) | DIMENSION STYLE | | SCALE | DESIGN UNITS | THIRD ANGLE PROJECTION |
| | | | IN/MM | | 4:1 | INCH | |
| L5 | DESCRIPTION | DRAFT WHERE APPLICABLE MUST REMAIN WITHIN DIMENSIONS | DRAWN BY DATE | | TITLE | | |
| | | | JTR 1993/03/31 | 1993/03/31 | | ULTRA LOW PROFILE RIGHT ANGLE MODULAR JACK ASSEMBLY | |
| REV | DATE | APPROVED BY DATE | CHECKED BY DATE | | MATERIAL NO. | | |
| | | | JTR 1993/03/31 | 2012/02/09 | | MOLEX INCORPORATED | |
| ANGULAR ±1/2° | | | MATERIAL NO. | | DOCUMENT NO. | | SHEET NO. |
| SEE SHEET 5 | | | SDA-43202 | | 2 OF 9 | | |
| THIS DRAWING CONTAINS INFORMATION THAT IS PROPRIETARY TO MOLEX INCORPORATED AND SHOULD NOT BE USED WITHOUT WRITTEN PERMISSION | | | | | | | |

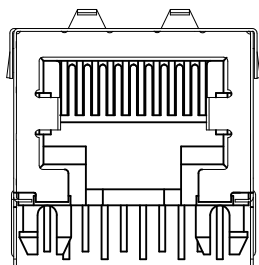
SHIELDED MODULAR JACK W/O BOTTOM GROUND TABS

SIZE 8, LOADED 10 VERSION SHOWN

SIDE/TOP GROUND TAB OPTIONS FOR SHIELDS



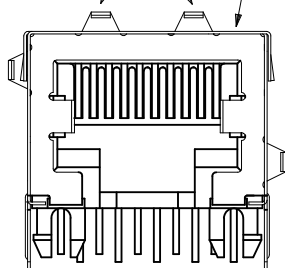
OPTION "E"
NO TOP OR SIDE TABS



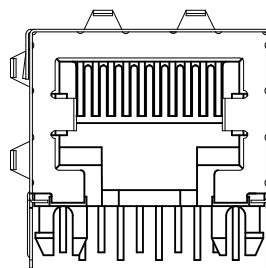
OPTION "F"
TOP TABS

OPTIONAL TOP GROUND TABS

SHIELDED MODULAR JACK ASSEMBLY
SEE SHEET 6 FOR MATERIAL NO.

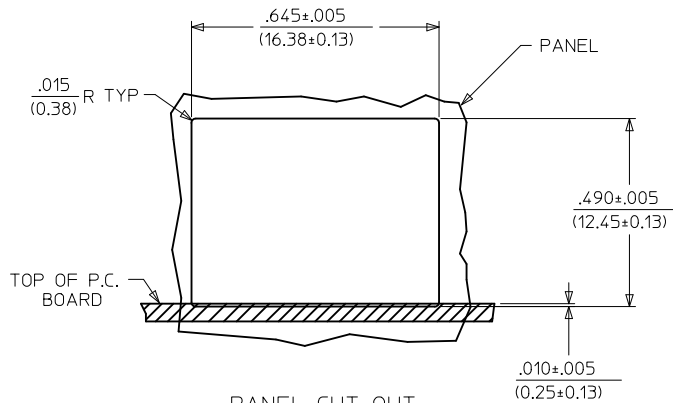


OPTION "G"
TOP AND STAGGERED SIDE TABS



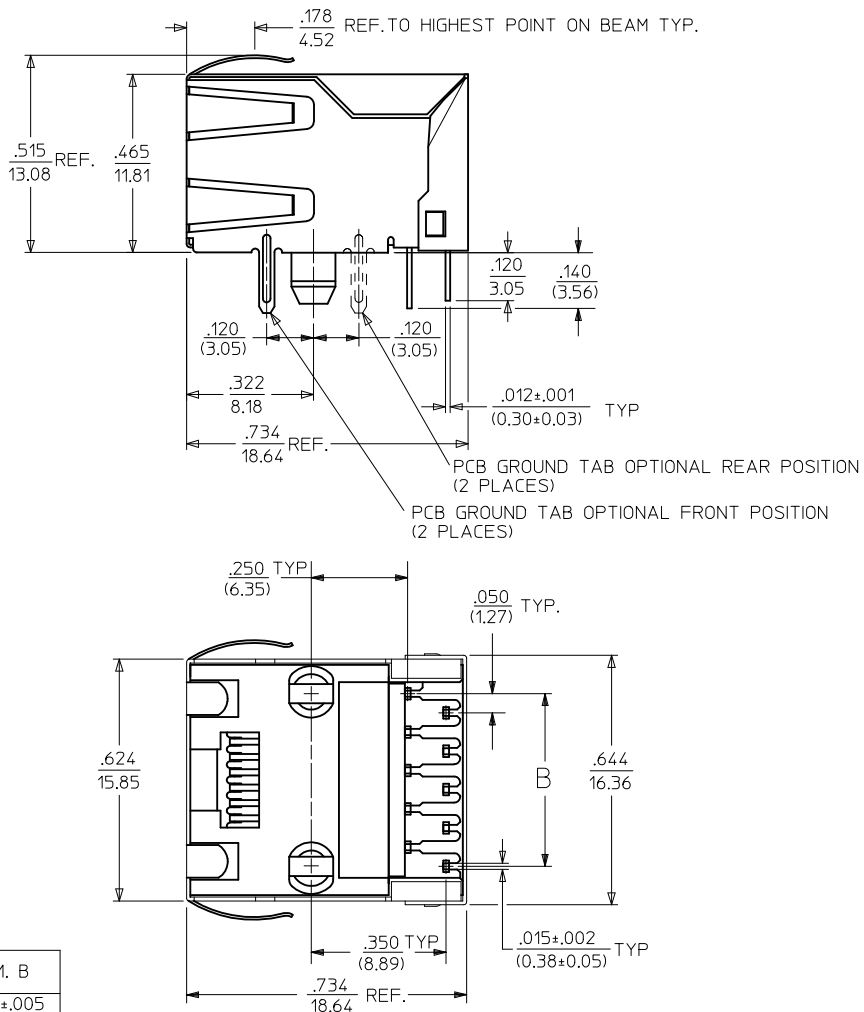
OPTION "H"
TOP AND SIDE TABS

OPTIONAL SIDE GROUND TABS
(2 PLACES)

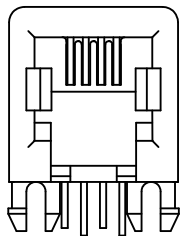


PANEL CUT-OUT
(SHIELDED W/O BOTTOM GROUND TABS)

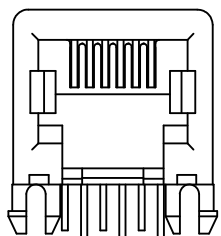
| HOUSING SIZE | CIRCUIT SIZE | DIM. B |
|--------------|--------------|---------------------------|
| 8 | 10 | .450±.005 (11.43±0.13) |
| 8 | 8 | .350±.005 (8.89±0.13) |



| SEE SHEET 1 EC NO: UCP2012-2472 DRW: NGUYEN 2012/02/03 CHKD: BELL 2012/02/03 APPR: FSMITH 2012/02/09 | QUALITY SYMBOLS ∇=0 ∇=0 ∇=0 | GENERAL TOLERANCES (UNLESS SPECIFIED) <table border="1" style="width: 100%; border-collapse: collapse;"> <thead> <tr> <th></th> <th>mm</th> <th>INCH</th> </tr> </thead> <tbody> <tr> <td>4 PLACES ± ---</td> <td>± ---</td> <td>± ---</td> </tr> <tr> <td>3 PLACES ± ---</td> <td>± .010</td> <td>± .010</td> </tr> <tr> <td>2 PLACES ± .25</td> <td>± .014</td> <td>± .014</td> </tr> <tr> <td>1 PLACE ± 0.36</td> <td>± ---</td> <td>± ---</td> </tr> </tbody> </table> ANGULAR ±1/2° | | mm | INCH | 4 PLACES ± --- | ± --- | ± --- | 3 PLACES ± --- | ± .010 | ± .010 | 2 PLACES ± .25 | ± .014 | ± .014 | 1 PLACE ± 0.36 | ± --- | ± --- | DIMENSION STYLE IN/MM | SCALE 4:1 | DESIGN UNITS INCH | THIRD ANGLE PROJECTION |
|--|--------------------------------------|---|----------------|---|-------|----------------|-------|-------|----------------|--------|--------|----------------|--------|--------|----------------|-------|-------|--------------------------|--------------|----------------------|------------------------|
| | | | | mm | INCH | | | | | | | | | | | | | | | | |
| | | | 4 PLACES ± --- | ± --- | ± --- | | | | | | | | | | | | | | | | |
| 3 PLACES ± --- | ± .010 | ± .010 | | | | | | | | | | | | | | | | | | | |
| 2 PLACES ± .25 | ± .014 | ± .014 | | | | | | | | | | | | | | | | | | | |
| 1 PLACE ± 0.36 | ± --- | ± --- | | | | | | | | | | | | | | | | | | | |
| DRAWN BY DATE JTR 1993/03/31 | | CHECKED BY DATE JTR 1993/03/31 | | TITLE ULTRA LOW PROFILE RIGHT ANGLE MODULAR JACK ASSEMBLY | | | | | | | | | | | | | | | | | |
| APPROVED BY DATE FSMITH 2012/02/09 | | MATERIAL NO. SEE SHEET 6 | | MOLEX INCORPORATED DOCUMENT NO. SDA-43202 | | | | | | | | | | | | | | | | | |
| DRAFT WHERE APPLICABLE MUST REMAIN WITHIN DIMENSIONS | | SIZE C | | SHEET NO. 3 OF 9 | | | | | | | | | | | | | | | | | |



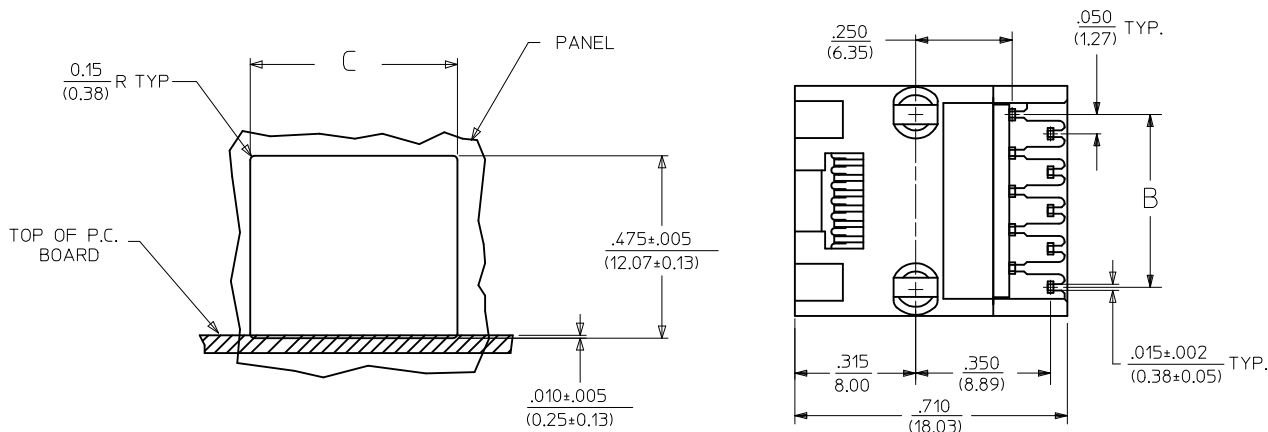
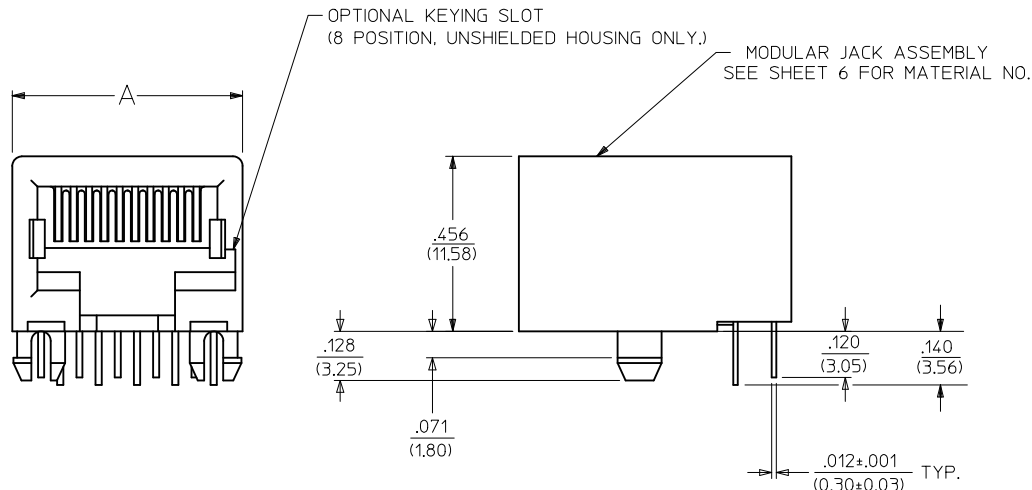
SIZE 4
LOADED 4 SHOWN



SIZE 6
LOADED 6 SHOWN

UNSHIELDED MODULAR JACKS

SIZE 8, LOADED 10 SHOWN



PANEL CUT-OUT (UNSHIELDED)

| HOUSING SIZE | LOADED CIRCUITS | A | B | C |
|--------------|-----------------|-----------------|---------------------------|---------------------------|
| 4 | 4 | .440 (11.18) | .150±.005 (3.81±0.13) | .460±.005 (11.68±0.13) |
| 4 | 2 | .440 (11.18) | .050±.005 (1.27±0.13) | .460±.005 (11.68±0.13) |
| 6 | 6 | .520 (13.21) | .250±.005 (6.35±0.13) | .540±.005 (13.72±0.13) |
| 6 | 4 | .520 (13.21) | .150±.005 (3.81±0.13) | .540±.005 (13.72±0.13) |
| 6 | 2 | .520 (13.21) | .050±.005 (1.27±0.13) | .540±.005 (13.72±0.13) |
| 8 | 10 | .600 (15.24) | .450±.005 (11.43±0.13) | .620±.005 (15.75±0.13) |
| 8 | 8 | .600 (15.24) | .350±.005 (8.89±0.13) | .620±.005 (15.75±0.13) |
| 8 | 6 | .600 (15.24) | .250±.005 (6.35±0.13) | .620±.005 (15.75±0.13) |
| 8 | 4 | .600 (15.24) | .150±.005 (3.81±0.13) | .620±.005 (15.75±0.13) |
| 8 | 2 | .600 (15.24) | .050±.005 (1.27±0.13) | .620±.005 (15.75±0.13) |

| | | | | | | | | | |
|--|---------------------|---|------------|------------------------------------|---------------------|---|------------------------|--|--|
| SEE SHEET 1 EC NO: UCP2012-2472 DRAWN: NGUYEN 2012/02/03 CHKD: J. BELL 2012/02/03 APPR: F. SMITH 2012/02/09 L5 | QUALITY SYMBOLS | GENERAL TOLERANCES (UNLESS SPECIFIED) | | DIMENSION STYLE IN/MM | SCALE 4:1 | DESIGN UNITS INCH | THIRD ANGLE PROJECTION | | |
| | | 4 PLACES ± --- ± --- 3 PLACES ± --- ± .010 2 PLACES ± .025 ± .014 1 PLACE ± .036 ± --- | mm INCH | DRAWN BY JTR | DATE 1993/03/31 | TITLE ULTRA LOW PROFILE RIGHT ANGLE MODULAR JACK ASSEMBLY | | | |
| | | ANGULAR ±1/2° | | CHECKED BY JTR | DATE 1993/03/31 | APPROVED BY F. SMITH | | | |
| | | DRAFT WHERE APPLICABLE MUST REMAIN WITHIN DIMENSIONS | | MATERIAL NO. SEE SHEET 6 | DATE 2012/02/09 | MOLEX INCORPORATED DOCUMENT NO. SDA-43202 | | | |
| | | | | SHEET NO. 4 OF 9 | | THIS DRAWING CONTAINS INFORMATION THAT IS PROPRIETARY TO MOLEX INCORPORATED AND SHOULD NOT BE USED WITHOUT WRITTEN PERMISSION | | | |

SHIELDED MODULAR JACKS W/BOTTOM GROUND TABS (SHEET 2)

| ASSEMBLY MATERIAL NUMBER | CONNECTOR SIZE | NUMBER OF CIRCUITS | SIDE/TOP PANEL GROUND TAB OPTION | PCB GROUND TAB OPTION | TERMINAL PLATING OPTION | PACKAGING OPTION | HOUSING COLOR |
|--------------------------|----------------|--------------------|----------------------------------|-----------------------|-------------------------|------------------|---------------|
| 43202-8900 | 8 | 10 | A | FRONT POSITION | A | TRAY | BLACK |
| 43202-8901 | 8 | 10 | B | FRONT POSITION | A | TRAY | |
| 43202-8902 | 8 | 10 | C | FRONT POSITION | A | TRAY | |
| 43202-8903 | 8 | 10 | D | FRONT POSITION | A | TRAY | |
| 43202-8908 | 8 | 10 | A | REAR POSITION | A | TRAY | |
| 43202-8909 | 8 | 10 | B | REAR POSITION | A | TRAY | |
| 43202-8910 | 8 | 10 | C | REAR POSITION | A | TRAY | |
| 43202-8911 | 8 | 10 | D | REAR POSITION | A | TRAY | |
| 43202-8916 | 8 | 8 | A | FRONT POSITION | A | TRAY | |
| 43202-8917 | 8 | 8 | B | FRONT POSITION | A | TRAY | |
| 43202-8918 | 8 | 8 | C | FRONT POSITION | A | TRAY | |
| 43202-8919 | 8 | 8 | D | FRONT POSITION | A | TRAY | |
| 43202-8924 | 8 | 8 | A | REAR POSITION | A | TRAY | |
| 43202-8925 | 8 | 8 | B | REAR POSITION | A | TRAY | |
| 43202-8926 | 8 | 8 | C | REAR POSITION | A | TRAY | |
| 43202-8927 | 8 | 8 | D | REAR POSITION | A | TRAY | |

| | | | | | | | | | | | |
|--|--------------------------------------|---------------------------------------|--|--|------|-----------------------|----------------------|--|--|--|--|
| SEE SHEET 1 EC NO: UCP2012-2472 DRW: NGUYEN 2012/02/03 CHKD: BELL 2012/02/03 APPR: FSMITH 2012/02/09 | QUALITY SYMBOLS ▽=0 ▽=0 ▽=0 | GENERAL TOLERANCES (UNLESS SPECIFIED) | | DIMENSION STYLE IN/MM | | SCALE 4:1 | DESIGN UNITS INCH | THIRD ANGLE PROJECTION | | | |
| | | | | mm | INCH | DRAWN BY JTR | DATE 1993/03/31 | TITLE ULTRA LOW PROFILE RIGHT ANGLE MODULAR JACK ASSEMBLY | | | |
| | | 4 PLACES ± --- ± --- | | | | CHECKED BY JTR | DATE 1993/03/31 | | | | |
| | | 3 PLACES ± --- ±.010 | | | | APPROVED BY FSMITH | DATE 2012/02/09 | | | | |
| 2 PLACES ±0.25 ±.014 | | | | MATERIAL NO. | | DOCUMENT NO. | | SHEET NO. | | | |
| 1 PLACE ±0.36 ± --- | | | | SEE CHART | | SDA-43202 | | 5 OF 9 | | | |
| ANGULAR ±1/2° | | | | DRAFT WHERE APPLICABLE MUST REMAIN WITHIN DIMENSIONS | | | | | | | |
| | | | | THIS DRAWING CONTAINS INFORMATION THAT IS PROPRIETARY TO MOLEX INCORPORATED AND SHOULD NOT BE USED WITHOUT WRITTEN PERMISSION | | | | | | | |

