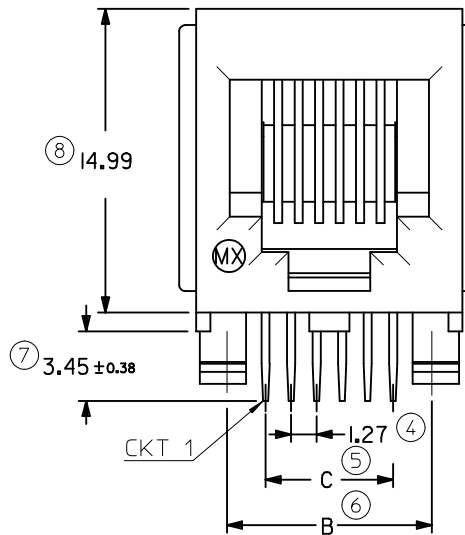
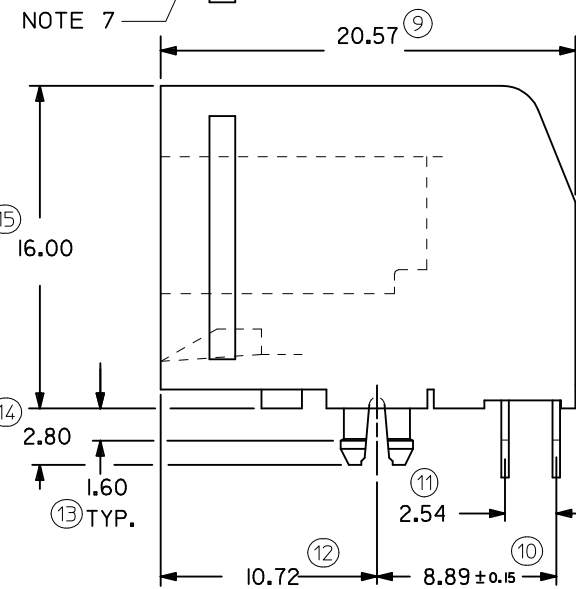
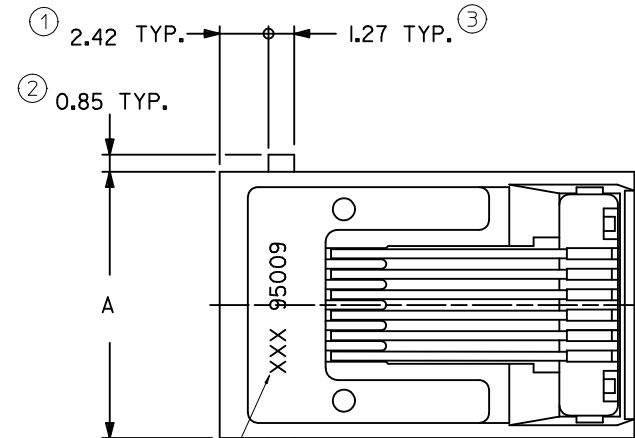
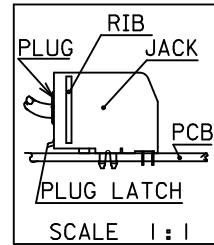


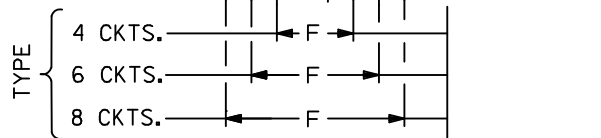
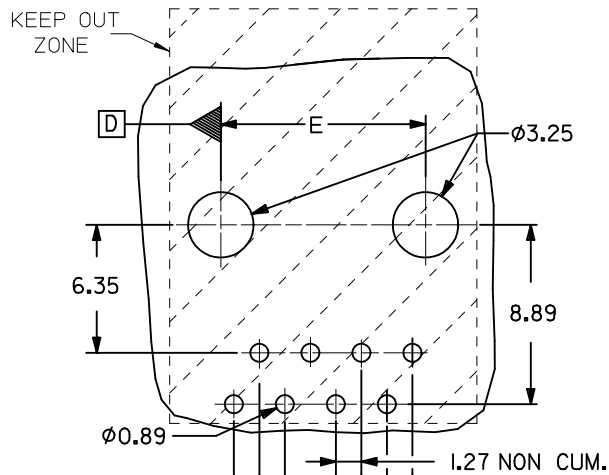
NOTES :

1- MATERIAL : POLYESTER FIBER GLASS FILED 94-V-0
 COLOR BLACK .
 TERMINAL : COPPER ALLOY.
 PLATINGS : BASE FINISH: NICKEL
 CONTACT SURFACE FINISH:
 GOLD
 OR
 GOLD FLASH OVER PALLADIUM NICKEL.
 EXCEEDS PRODUCT REQUIREMENTS BASED ON PS-95009-001

2- PC BOARD THICKNESS : 1.57
 3- JACK FOR MATING WITH IEC-60603-7 AND TIA-1096-A
 MOLEX 90075 SERIES PLUGS
 4- PRODUCT SPECIFICATION PS-95009-001.
 5- APPLICATION SPECIFICATION AS-95001.
 6- PACKAGING SPECIFICATION PK-95029.
 7- MANUFACTURING ID CAN BE MXF, MG OR MXI.
 INSPECTION NUMBERS USED: 1 - 50
 LAST INSPECTION NUMBER: 15



MOUNTING HOLE PATTERNS
 (SEE FROM COMPONENT SIDE)



ALL DIMENSIONS REF DIMENSIONS

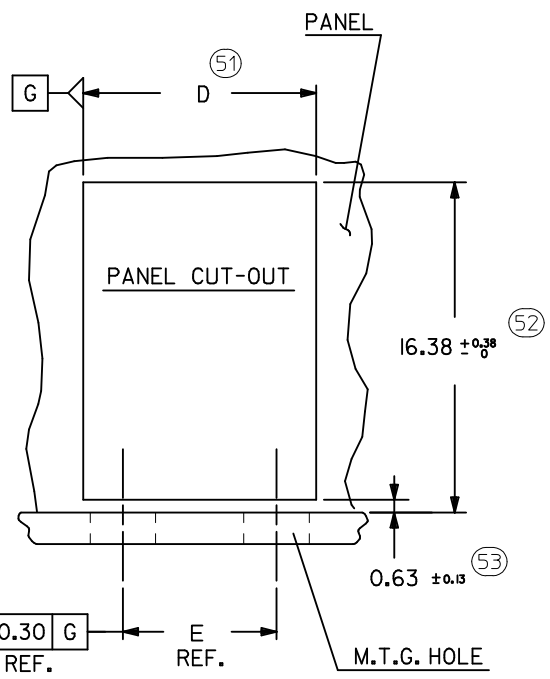
EDITED NOTES EC NO: IPG2012-0807 DRW:DBYRNES 2012/04/27 CHKD:SMCGREEVEY 2012/04/27 APPR:EFOLAN 2012/05/03	QUALITY SYMBOLS ▽=0 ◻=0	GENERAL TOLERANCES (UNLESS SPECIFIED) <table border="1"> <thead> <tr> <th></th> <th>mm</th> <th>INCH</th> </tr> </thead> <tbody> <tr> <td>4 PLACES</td> <td>± ---</td> <td>± ---</td> </tr> <tr> <td>3 PLACES</td> <td>± ---</td> <td>± ---</td> </tr> <tr> <td>2 PLACES</td> <td>± 0.25</td> <td>± ---</td> </tr> <tr> <td>1 PLACE</td> <td>± 0.35</td> <td>± ---</td> </tr> </tbody> </table> ANGULAR ± 1/2°		mm	INCH	4 PLACES	± ---	± ---	3 PLACES	± ---	± ---	2 PLACES	± 0.25	± ---	1 PLACE	± 0.35	± ---	DIMENSION STYLE MM ONLY DRAWN BY: DP DATE: 86/10/23 CHECKED BY: _____ DATE: _____ APPROVED BY: _____ DATE: _____	SCALE: 4:1 DESIGN UNITS: METRIC THIRD ANGLE PROJECTION	TITLE: FLUSH MOUNT RIGHT ANGLE MODULAR JACK ASSEMBLY THROUGH HOLE VERSION MOLEX INCORPORATED
		mm	INCH																	
4 PLACES	± ---	± ---																		
3 PLACES	± ---	± ---																		
2 PLACES	± 0.25	± ---																		
1 PLACE	± 0.35	± ---																		
MATERIAL NO.: SEE CHART SHT 2 DOCUMENT NO.: SDA-95009-F SHEET NO.: 1 OF 2	DRAFT WHERE APPLICABLE MUST REMAIN WITHIN DIMENSIONS THIS DRAWING CONTAINS INFORMATION THAT IS PROPRIETARY TO MOLEX INCORPORATED AND SHOULD NOT BE USED WITHOUT WRITTEN PERMISSION																			

PART NUMBERS FOR JACK 1 RIB .

	TYPE	POS. 4	TOOLED	POS. 6	TOOLED	POS. 6	TOOLED	POS. 8	TOOLED
		4 CKTS.	X	4 CKTS.	X	6 CKTS.	X	8 CKTS.	X
	FINISH 7	95009-7441	X	95009-7641	X	95009-7661	X	95009-7881	X

PART NUMBERS FOR JACK NO RIB.

	TYPE	POS. 4	TOOLED	POS. 6	TOOLED	POS. 6	TOOLED	POS. 8	TOOLED
		4 CKTS.	X	4 CKTS.	X	6 CKTS.	X	8 CKTS.	X
	FINISH 7	95009-7447	X	95009-7647	X	95009-7667	X	95009-7887	X



TYPE	POS. 4	POS. 6		POS. 8
	4 CKTS.	4 CKTS.	6 CKTS.	8 CKTS.
DIM.				
A	11.18	13.21	13.21	15.24
B	7.62	10.16	10.16	11.43
C	3.81	3.81	6.35	8.89
D	± 0.38 0	11.56	13.59	15.62
E	± 0.10	7.62	10.16	11.43
F	± 0.10	3.81	3.81	6.35
		3.81	6.35	8.89

NOTES:
INSPECTION NUMBERS USED: 51 - 100
LAST INSPECTION NUMBER: 53

ADDED PLATING OPTIONS EC NO: E2012-0040 DRWN: JOCONNOR 2011/04/07 CHKD: APPR: EFOLAN 2011/10/13	QUALITY SYMBOLS ▽=0 ◻=0	GENERAL TOLERANCES (UNLESS SPECIFIED) mm INCH 4 PLACES ± --- ± --- 3 PLACES ± --- ± --- 2 PLACES ± 0.25 ± --- 1 PLACE ± 0.35 ± --- ANGULAR ± 1/2°	DIMENSION STYLE MM ONLY DRAWN BY: DP DATE: 87/04/22 CHECKED BY: _____ DATE: _____ APPROVED BY: _____ DATE: _____	SCALE: 4:1 DESIGN UNITS: METRIC THIRD ANGLE PROJECTION	TITLE: FLUSH MOUNT RIGHT ANGLE MODULAR JACK ASSEMBLY THROUGH HOLE VERSION MOLEX INCORPORATED	
	MATERIAL NO.: SEE CHART DOCUMENT NO.: SDA-95009-F SHEET NO.: 2 OF 2	THIS DRAWING CONTAINS INFORMATION THAT IS PROPRIETARY TO MOLEX INCORPORATED AND SHOULD NOT BE USED WITHOUT WRITTEN PERMISSION				
	DRAFT WHERE APPLICABLE MUST REMAIN WITHIN DIMENSIONS					
	SIZE: A3					