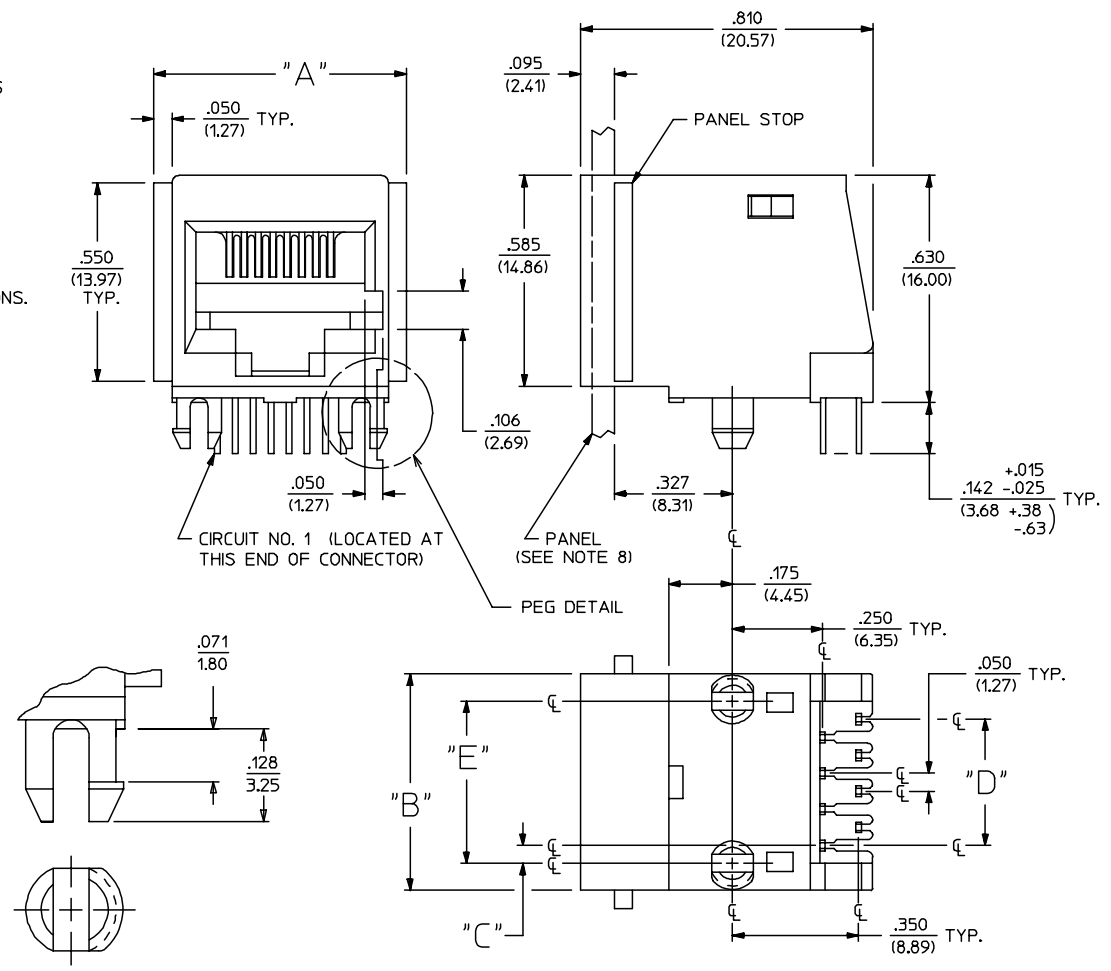


NOTES:

- 1) MATERIALS:
HOUSING: GLASS FILLED POLYESTER, UL94 V-0, COLOR: BLACK
TERMINALS: PHOSPHOR BRONZE
- 2) FINISH:
TERMINALS:
SELECT GOLD IN CONTACT AREA: 50 MICROINCHES MIN.,
*SELECT TIN IN PC TAIL AREA: 100 MICROINCHES MIN.,
WITH OVERALL NICKEL UNDERPLATE: 50 MICROINCHES MIN.
*THE PRIMARY SHIPPING CARTON WILL BE LABELED "COMPLIANT TO RoHS DIRECTIVE 2002/95/EC AND ELV ANNEX II OF DIRECTIVE 2000/53/EC". CARTONS WITHOUT THIS LABEL MAY CONTAIN PRODUCT WITH TIN-LEAD IN THE PC TAIL AREA.
- 3) ALL JACKS MUST MEET THE REQUIREMENTS OF MOLEX SPECIFICATION #PS-41314.
- 4) PACKAGING OPTIONS: TRAYS
- 5) JACKS CONFORM TO AND ACCEPT PLUGS WHICH CONFORM TO FCC REGULATIONS, PART 68.5.
- 6) JACKS ARE TO BE USED WITH .062/(1.57) THICK PRINTED CIRCUIT BOARDS.
- 7) SEE SHEET 3 FOR RECOMMENDED PANEL CUT-OUT AND BOARD LAYOUT DIMENSIONS.
- 8) PANEL TO BE LOCATED AGAINST MODULAR JACK FLANGE AS INDICATED.
- 9) HOUSING SIZES 4 AND 6 ARE NOT AVAILABLE WITH KEYING OPTION.
- 10) ALL UNTOLERANCED DIMENSIONS ARE SHOWN FOR REFERENCE ONLY.



PEG DETAIL
SCALE: 8:1



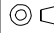

SIZE 8 MODULAR JACK HOUSING LOADED WITH 8 TERMINALS IS SHOWN ABOVE

3	0
2	01
1	01
SH	REV

B	8	2	.700 (17.78)	.600 (15.24)	.200 (5.08)	.050 (1.27)	.450 (11.43)
	8	4	.700 (17.78)	.600 (15.24)	.150 (3.81)	.150 (3.81)	.450 (11.43)
	8	6	.700 (17.78)	.600 (15.24)	.100 (2.54)	.250 (6.35)	.450 (11.43)
A	8	8	.700 (17.78)	.600 (15.24)	.050 (1.27)	.350 (8.89)	.450 (11.43)
	HOUSING SIZE	CIRCUIT SIZE	DIM. "A"	DIM. "B"	DIM. "C"	DIM. "D"	DIM. "E"

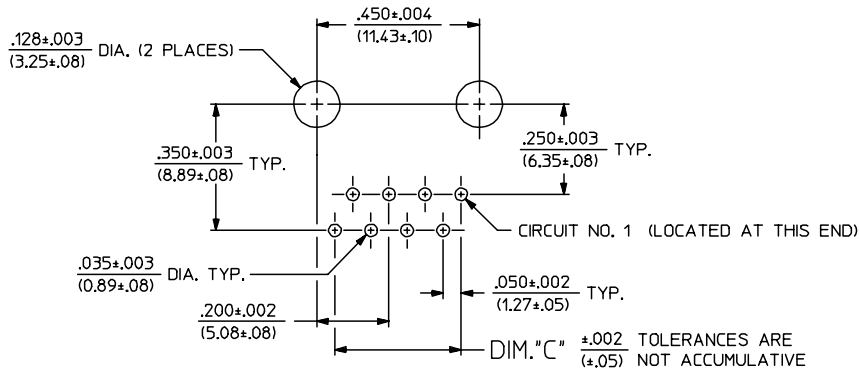
REMOVE FILM/AMMO PACK EC NO: UCP2006-2453 DRWN:PRDDER 2006/06/14 CHKD:JBELL 2006/06/27 APPR:FSMITH 2006/06/29 01	QUALITY SYMBOLS -0 -0	GENERAL TOLERANCES (UNLESS SPECIFIED) mm INCH 4 PLACES ± --- ± --- 3 PLACES ± --- ± --- 2 PLACES ± --- ± --- 1 PLACE ± --- ± --- ANGULAR ±1/2° DRAFT WHERE APPLICABLE MUST REMAIN WITHIN DIMENSIONS	SCALE 4:1 DESIGN UNITS INCH DIMENSION STYLE IN/MM DRAWN BY DATE GLT 1990/05/21 CHECKED BY DATE BAP 1990/05/21 APPROVED BY DATE RAS 1990/05/21	THIRD ANGLE PROJECTION REVISE ON CAD ONLY TITLE RIGHT ANGLE FLUSH MOUNT KEYED MODULAR JACK ASSEMBLY MOLEX MOLEX INCORPORATED MATERIAL NO. DOCUMENT NO. SHEET NO. SEE SHEET 2 SDA-42063-***** 1 OF 3
	THIS DRAWING CONTAINS INFORMATION THAT IS PROPRIETARY TO MOLEX INCORPORATED AND SHOULD NOT BE USED WITHOUT WRITTEN PERMISSION			

	13	12	11	10	9	8	7	6	5	4	3	2	42063	
	ENGINEERING PART NUMBER	E.D.P. NUMBER	HOUSING SIZE	CIRCUIT SIZE	PACKAGING OPTION									
J	A-42063-88ABAA	015-43-9501	8	8	TRAY PACK									J
	A-42063-86ABAA	015-43-9504	8	6	TRAY PACK									
	A-42063-84ABAA	015-43-9507	8	4	TRAY PACK									
	A-42063-82ABAA	015-43-9510	8	2	TRAY PACK									
I	<u>SEE SHEET 1 FOR PART DESCRIPTIONS</u>													I
H														H
G														G
F														F
E														E
D														D
C														C
B														B
A														A

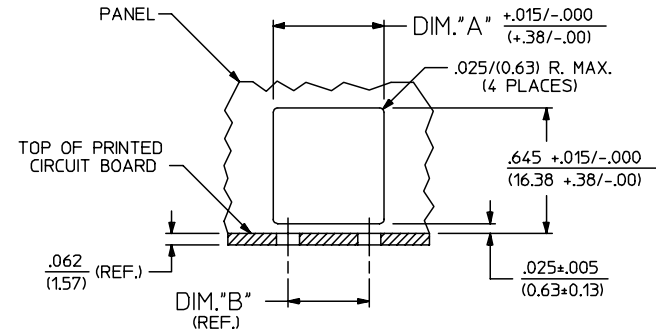
SEE SHEET ONE EC NO: UCP2006-2453 DRWN: PRIDDER 2006/06/14 CHKD: JBELL 2006/06/27 APPR: FSMITH 2006/06/29	QUALITY SYMBOLS  - 0  - 0	GENERAL TOLERANCES (UNLESS SPECIFIED)		SCALE ---	DESIGN UNITS INCH	 THIRD ANGLE PROJECTION REVISE ON CAD ONLY		
		mm	INCH	DIMENSION STYLE IN/MM			TITLE	
		4 PLACES	± ---	± ---	DRAWN BY	DATE	 MOLEX INCORPORATED RIGHT ANGLE FLUSH MOUNT KEYED MODULAR JACK ASSEMBLY	
		3 PLACES	± ---	± ---	GLT	1990/05/21		
2 PLACES	± ---	± ---	CHECKED BY	DATE				
1 PLACE	± ---	± ---	BAP	1990/05/21	MATERIAL NO. SEE CHART DOCUMENT NO. SDA-42063-***** SHEET NO. 2 OF 3			
ANGULAR ±1/2°		APPROVED BY		DATE				
DRAFT WHERE APPLICABLE MUST REMAIN WITHIN DIMENSIONS		RAS		1990/05/21	THIS DRAWING CONTAINS INFORMATION THAT IS PROPRIETARY TO MOLEX INCORPORATED AND SHOULD NOT BE USED WITHOUT WRITTEN PERMISSION			

ENGINEERING PART NUMBER	HOUSING SIZE	CIRCUIT SIZE	DIM. "A"	DIM. "B"	DIM. "C"
A-42063-88****	8	8	.615/(15.62)	.450/(11.43)	.350/(8.89)
A-42063-86****	8	6	↑	↑	.250/(6.35)
A-42063-84****	8	4	↓	↓	.150/(3.81)
A-42063-82****	8	2	.615/(15.62)	.450/(11.43)	.050/(1.27)

NOTES:
 1) RECOMMENDED BOARD LAYOUTS ARE SHOWN AS COMPONENT SIDE OF BOARD.
 2) HOUSING SIZES 4 AND 6 ARE NOT AVAILABLE WITH KEYING OPTION.



PC BOARD LAYOUT FOR HOUSING SIZE 8



PANEL CUT-OUT GUIDELINES

DIM. "A" MUST BE SYMMETRICAL TO DIM. "B" WITHIN .005/(0.13)

SEE SHEET ONE EC NO: UCP2004-1331 DRWN:LSCHMIDT 2004/02/23 CHKD:LSCHMIDT 2004/02/23 APPR:FSMITH 2004/02/26	QUALITY SYMBOLS	GENERAL TOLERANCES (UNLESS SPECIFIED)	SCALE 4:1	DESIGN UNITS INCH	THIRD ANGLE PROJECTION	REVISE ON CAD ONLY
	DESCRIPTION ▽ = 0 ▽ = 0	mm	INCH	DIMENSION STYLE IN/MM		TITLE PANEL/BOARD LAYOUTS FOR RIGHT ANGLE FLUSH MOUNT MODULAR JACK ASSEMBLIES MOLEX MOLEX INCORPORATED
		4 PLACES ± --- ± ---	3 PLACES ± --- ± ---	DRAWN BY GLT	DATE 1990/05/21	
		2 PLACES ± --- ± ---	1 PLACE ± --- ± ---	CHECKED BY BAP	DATE 1990/05/21	
0	ANGULAR ±1/2°	DRAFT WHERE APPLICABLE MUST REMAIN WITHIN DIMENSIONS	APPROVED BY RAS	DATE 1990/05/21	MATERIAL NO. SEE SHEET 2	DOCUMENT NO. SDA-42063-*****
					SHEET NO. 3 OF 3	