

SHIELDED MODULAR JACK SHOWN WITH PANEL GROUND OPTION 'D' AND FRONT PCB GROUND TABS.

NOTES:

- 1) MATERIAL:
 HOUSING: NYLON(PA), GLASS FILLED, UL94V-0, COLOR: SEE SHEETS 5 AND 6
 INSULATOR: NYLON(PA), GLASS FILLED, UL94V-0, COLOR: SEE SHEETS 5 AND 6
 TERMINALS: PHOSPHOR BRONZE, .012/ 0.30 THICK
 SHIELD: BRASS, .007/ 0.18 THICK
- 2) FINISH:
 TERMINALS:
 A = SELECT GOLD IN CONTACT AREA: 50 MICROINCHES / 1.27 MICROMETERS MIN.,
 *SELECT TIN IN PC TAIL AREA: 100 MICROINCHES / 2.54 MICROMETERS MIN.,
 WITH OVERALL NICKEL UNDERPLATE: 50 MICROINCHES / 1.27 MICROMETERS MIN.
 B = SELECT GOLD IN CONTACT AREA: 30 MICROINCHES / 0.76 MICROMETERS MIN.,
 *SELECT TIN IN PC TAIL AREA: 100 MICROINCHES / 2.54 MICROMETERS MIN.,
 WITH OVERALL NICKEL UNDERPLATE: 50 MICROINCHES / 1.27 MICROMETERS MIN.
 *THE PRIMARY SHIPPING CARTON WILL BE LABELED "COMPLIANT TO RoHS DIRECTIVE 2002/95/EC AND ELV ANNEX II OF DIRECTIVE 2000/53/EC".
 CARTONS WITHOUT THIS LABEL MAY CONTAIN PRODUCT WITH TIN-LEAD IN THE PC TAILS AND/OR SHIELD.
- SHIELD:
 100 MICROINCHES / 2.54 MICROMETERS NICKEL OVER 50 MICROINCHES / 1.27 MICROMETERS COPPER UNDERPLATE PCB GROUND TABS DIPPED IN TIN
- 3) PRODUCT SPECIFICATION AND PROCESSING PARAMETERS: PS-43202.
- 4) PACKAGING SPECIFICATION:
 UNSHIELDED CONNECTOR ASSEMBLIES PACKAGED IN THERMOFORMED TRAYS PER MOLEX PACKAGING SPECIFICATION PK-43202-003.
 UNSHIELDED CONNECTOR ASSEMBLIES PACKAGED IN TUBES PER MOLEX PACKAGING SPECIFICATION PK-43202-005.
 SHIELDED CONNECTOR ASSEMBLIES PACKAGED IN THERMOFORMED TRAYS PER MOLEX PACKAGING SPECIFICATION PK-43202-004.
- 5) SEE SHEETS 7 - 9 FOR P.C. BOARD LAYOUTS.
- 6) CONFORMS TO FCC REGULATION PART 68.5 FOR MODULAR JACKS.
- 7) THIS PART CONFORMS TO CLASS B REQUIREMENTS OF COSMETIC SPECIFICATION PS-45499-002.

DRAWING LEGEND

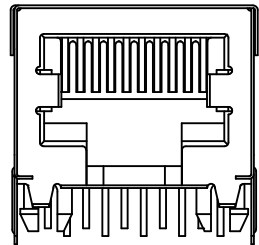
- SHEET 1- NOTES, DRAWING LEGEND
- SHEET 2- SHIELDED MODULAR JACK W/ BOTTOM GROUND TABS
- SHEET 3- SHIELDED MODULAR JACK W/O BOTTOM GROUND TABS
- SHEET 4- UNSHIELDED MODULAR JACK
- SHEET 5- PART NUMBER CHARTS
- SHEET 6- PART NUMBER CHARTS
- SHEET 7- FOOTPRINT LAYOUT FOR 4 POSITION HOUSING
- SHEET 8- FOOTPRINT LAYOUT FOR 6 POSITION HOUSING
- SHEET 9- FOOTPRINT LAYOUT FOR 8 POSITION HOUSING

ADD VIEWS EC NO: UCP2012-2472 DRWNG: NGUYEN CHKD: J.BELL APPR: F.SMITH L5	2012/02/03 2012/02/03 2012/02/09	DESCRIPTION REV	QUALITY SYMBOLS ▽=0 ▽=0 ▽=0	GENERAL TOLERANCES (UNLESS SPECIFIED) <table border="1"> <tr> <th></th> <th>mm</th> <th>INCH</th> </tr> <tr> <td>4 PLACES</td> <td>± .---</td> <td>± .---</td> </tr> <tr> <td>3 PLACES</td> <td>± .---</td> <td>± .010</td> </tr> <tr> <td>2 PLACES</td> <td>± 0.25</td> <td>± .014</td> </tr> <tr> <td>1 PLACE</td> <td>± 0.36</td> <td>± .---</td> </tr> </table>			mm	INCH	4 PLACES	± .---	± .---	3 PLACES	± .---	± .010	2 PLACES	± 0.25	± .014	1 PLACE	± 0.36	± .---	DIMENSION STYLE IN/MM DRAWN BY DATE JTR 1993/03/31 CHECKED BY DATE JTR 1993/03/31 APPROVED BY DATE F.SMITH 2012/02/09		SCALE 4:1	DESIGN UNITS INCH	THIRD ANGLE PROJECTION
		mm	INCH																						
	4 PLACES	± .---	± .---																						
	3 PLACES	± .---	± .010																						
2 PLACES	± 0.25	± .014																							
1 PLACE	± 0.36	± .---																							
DRAFT WHERE APPLICABLE MUST REMAIN WITHIN DIMENSIONS				SEE SHTS 5&6		TITLE ULTRA LOW PROFILE RIGHT ANGLE MODULAR JACK ASSEMBLY		MOLEX MOLEX INCORPORATED																	
				MATERIAL NO. SIZE		DOCUMENT NO. SDA-43202		SHEET NO. 1 OF 9																	
THIS DRAWING CONTAINS INFORMATION THAT IS PROPRIETARY TO MOLEX INCORPORATED AND SHOULD NOT BE USED WITHOUT WRITTEN PERMISSION																									

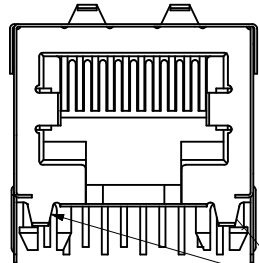
SHIELDED MODULAR JACK W/BOTTOM GROUND TABS

SIZE 8 LOADED 10 VERSION SHOWN

SIDE/TOP GROUND TAB OPTIONS FOR SHIELDS



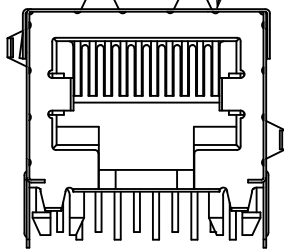
OPTION "A"
NO TOP OR SIDE TABS



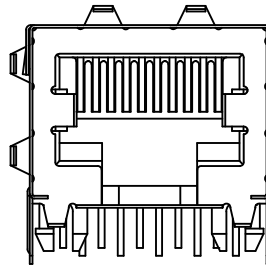
OPTION "B"
TOP TABS
BOTTOM GROUND TABS

OPTIONAL TOP GROUND TABS

SHIELDED MODULAR JACK ASSEMBLY
SEE SHEET 5 FOR MATERIAL NO.

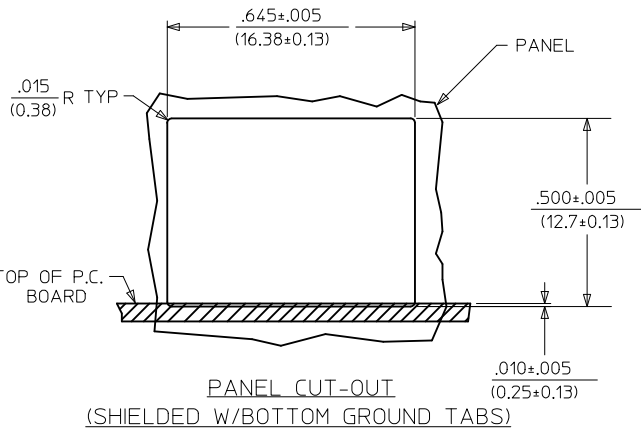


OPTION "C"
TOP AND STAGGERED SIDE TABS

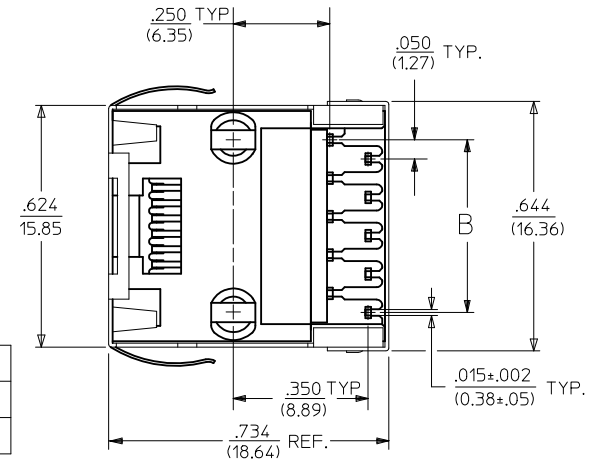
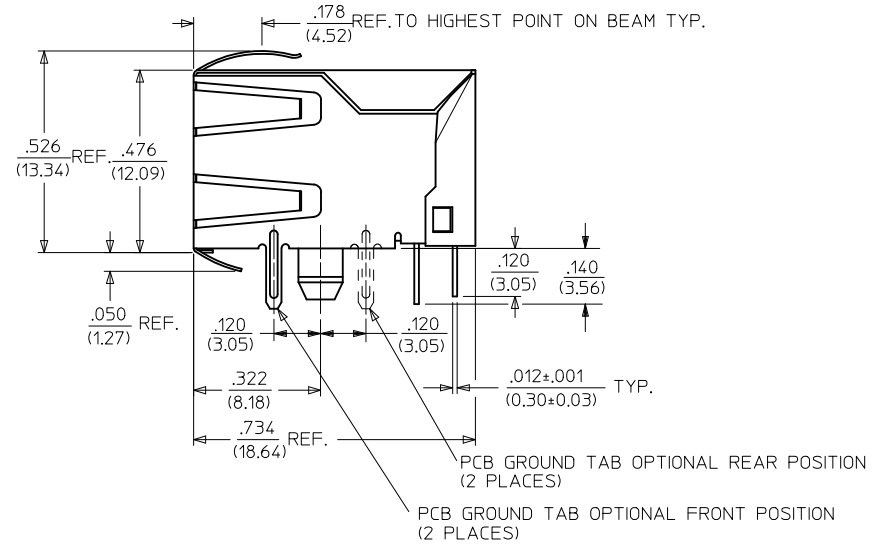


OPTION "D"
TOP AND SIDE TABS

OPTIONAL SIDE GROUND TABS
(2 PLACES)



HOUSING SIZE	CIRCUIT SIZE	B
8	10	.450±.005 11.43±.13
8	8	.350±.005 8.89±.13

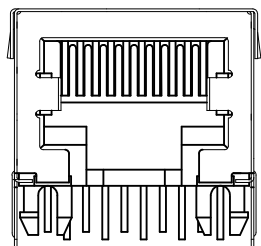


SEE SHEET 1 EC NO: UCP2012-2472 DRAWN: NGUYEN CHKD: BELL APPR: FSMITH	QUALITY SYMBOLS ▽=0 ▽=0 ▽=0	GENERAL TOLERANCES (UNLESS SPECIFIED)	DIMENSION STYLE		SCALE	DESIGN UNITS	THIRD ANGLE PROJECTION
			IN/MM		4:1	INCH	
L5	DESCRIPTION	ANGULAR ±1/2°	4 PLACES ± --- ± ---	DRAWN BY	DATE	ULTRA LOW PROFILE RIGHT ANGLE MODULAR JACK ASSEMBLY	
			3 PLACES ± --- ± .010	JTR	1993/03/31		
REV	REV	DRAFT WHERE APPLICABLE MUST REMAIN WITHIN DIMENSIONS	2 PLACES ± 0.25 ± .014	CHECKED BY	DATE	MOLEX INCORPORATED	
			1 PLACE ± 0.36 ± ---	JTR	1993/03/31		
				APPROVED BY	DATE	MATERIAL NO. DOCUMENT NO.	
				FSMITH	2012/02/09		
				SEE SHEET 5		SHEET NO. 2 OF 9	
THIS DRAWING CONTAINS INFORMATION THAT IS PROPRIETARY TO MOLEX INCORPORATED AND SHOULD NOT BE USED WITHOUT WRITTEN PERMISSION							

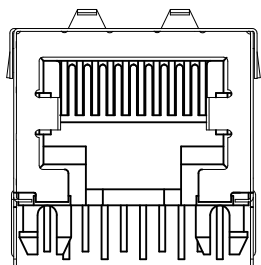
SHIELDED MODULAR JACK W/O BOTTOM GROUND TABS

SIZE 8, LOADED 10 VERSION SHOWN

SIDE/TOP GROUND TAB OPTIONS FOR SHIELDS



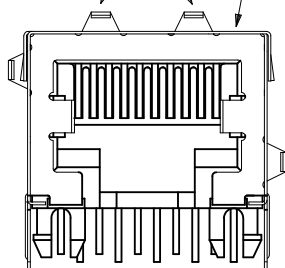
OPTION "E"
NO TOP OR SIDE TABS



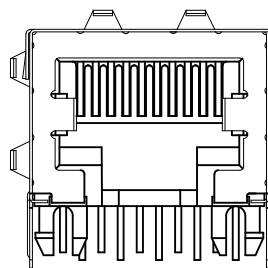
OPTION "F"
TOP TABS

OPTIONAL TOP GROUND TABS

SHIELDED MODULAR JACK ASSEMBLY
SEE SHEET 6 FOR MATERIAL NO.

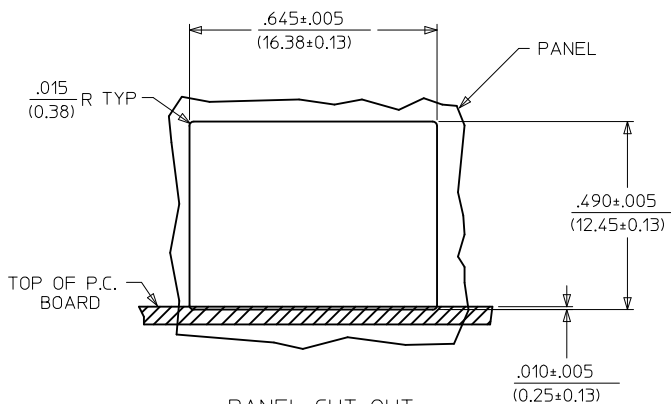


OPTION "G"
TOP AND STAGGERED SIDE TABS



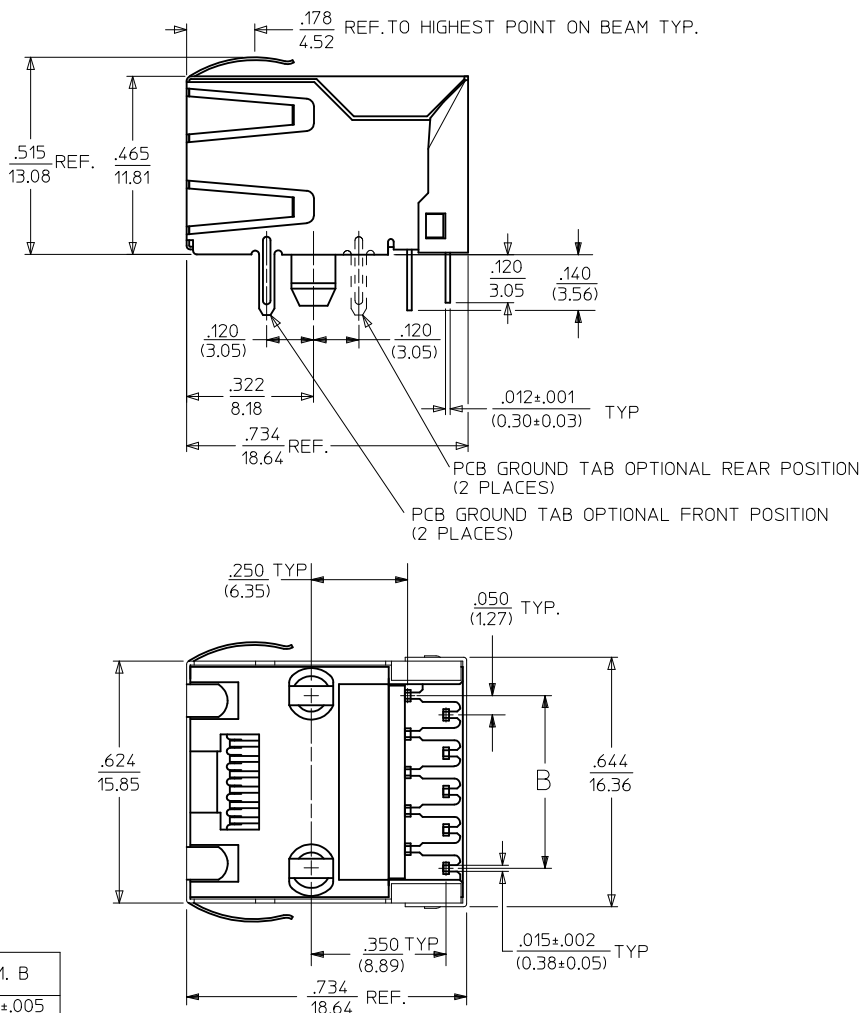
OPTION "H"
TOP AND SIDE TABS

OPTIONAL SIDE
GROUND TABS
(2 PLACES)

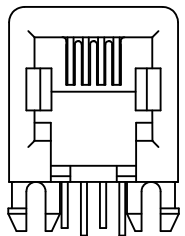


PANEL CUT-OUT
(SHIELDED W/O BOTTOM GROUND TABS)

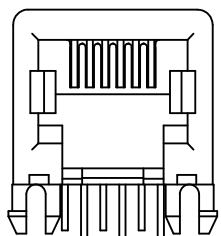
HOUSING SIZE	CIRCUIT SIZE	DIM. B
8	10	.450±.005 (11.43±0.13)
8	8	.350±.005 (8.89±0.13)



SEE SHEET 1 EC NO: UCP2012-2472 DRW: NGUYEN 2012/02/03 CHKD: BELL 2012/02/03 APPR: FSMITH 2012/02/09	QUALITY SYMBOLS ∇=0 ∇=0 ∇=0	GENERAL TOLERANCES (UNLESS SPECIFIED) mm INCH 4 PLACES ± --- ± --- 3 PLACES ± --- ± .010 2 PLACES ± 0.25 ± .014 1 PLACE ± 0.36 ± --- ANGULAR ± 1/2°	DIMENSION STYLE IN/MM DRAWN BY DATE JTR 1993/03/31 CHECKED BY DATE JTR 1993/03/31 APPROVED BY DATE FSMITH 2012/02/09	SCALE 4:1 DESIGN UNITS INCH THIRD ANGLE PROJECTION	TITLE ULTRA LOW PROFILE RIGHT ANGLE MODULAR JACK ASSEMBLY	MATERIAL NO. SEE SHEET 6 SIZE C	MOLEX INCORPORATED DOCUMENT NO. SDA-43202	SHEET NO. 3 OF 9



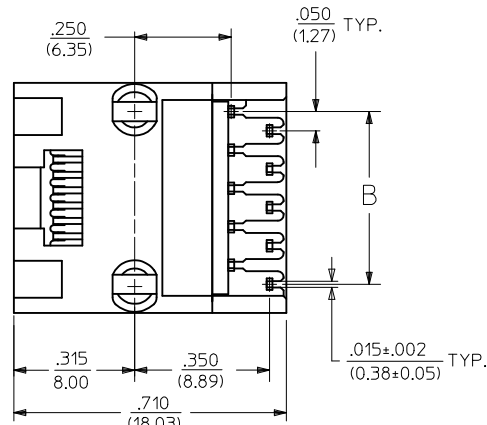
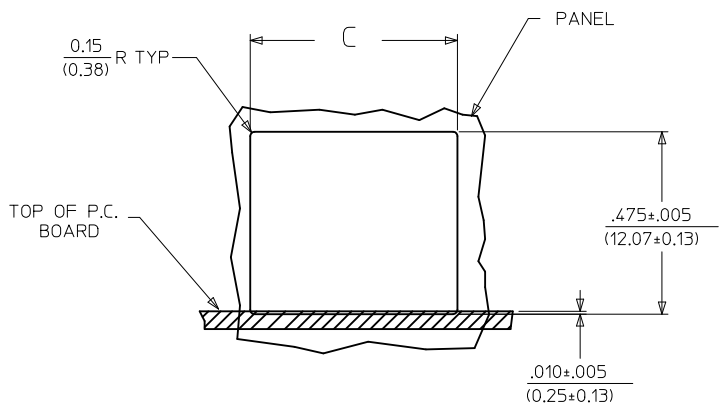
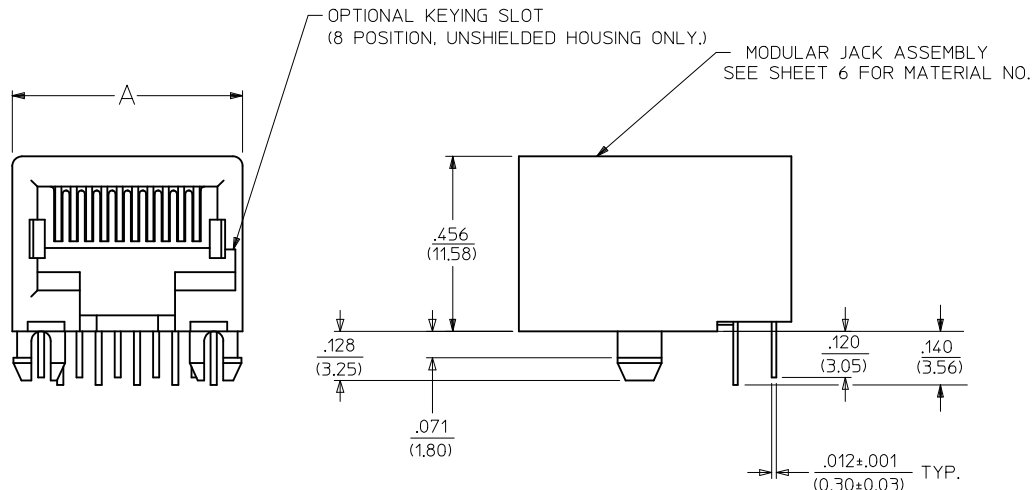
SIZE 4
LOADED 4 SHOWN



SIZE 6
LOADED 6 SHOWN

UNSHIELDED MODULAR JACKS

SIZE 8, LOADED 10 SHOWN



HOUSING SIZE	LOADED CIRCUITS	A	B	C
4	4	.440 (11.18)	.150±.005 (3.81±0.13)	.460±.005 (11.68±0.13)
4	2	.440 (11.18)	.050±.005 (1.27±0.13)	.460±.005 (11.68±0.13)
6	6	.520 (13.21)	.250±.005 (6.35±0.13)	.540±.005 (13.72±0.13)
6	4	.520 (13.21)	.150±.005 (3.81±0.13)	.540±.005 (13.72±0.13)
6	2	.520 (13.21)	.050±.005 (1.27±0.13)	.540±.005 (13.72±0.13)
8	10	.600 (15.24)	.450±.005 (11.43±0.13)	.620±.005 (15.75±0.13)
8	8	.600 (15.24)	.350±.005 (8.89±0.13)	.620±.005 (15.75±0.13)
8	6	.600 (15.24)	.250±.005 (6.35±0.13)	.620±.005 (15.75±0.13)
8	4	.600 (15.24)	.150±.005 (3.81±0.13)	.620±.005 (15.75±0.13)
8	2	.600 (15.24)	.050±.005 (1.27±0.13)	.620±.005 (15.75±0.13)

PANEL CUT-OUT (UNSHIELDED)

SEE SHEET 1 EC NO: UCP2012-2472 DRAWN: NGUYEN 2012/02/03 CHKD: J. BELL 2012/02/03 APPR: F. SMITH 2012/02/09	QUALITY SYMBOLS ∇=0 ∇=0 ∇=0	GENERAL TOLERANCES (UNLESS SPECIFIED)		DIMENSION STYLE IN/MM	SCALE 4:1	DESIGN UNITS INCH	THIRD ANGLE PROJECTION		
		4 PLACES ± --- ± --- 3 PLACES ± --- ± .010 2 PLACES ± .025 ± .014 1 PLACE ± .036 ± ---	mm INCH	DRAWN BY JTR	DATE 1993/03/31	TITLE ULTRA LOW PROFILE RIGHT ANGLE MODULAR JACK ASSEMBLY			
		ANGULAR ±1/2°		CHECKED BY JTR	DATE 1993/03/31	APPROVED BY F. SMITH			
		DRAFT WHERE APPLICABLE MUST REMAIN WITHIN DIMENSIONS		MATERIAL NO. SEE SHEET 6	DATE 2012/02/09	MOLEX INCORPORATED		DOCUMENT NO. SDA-43202	SHEET NO. 4 OF 9

SHIELDED MODULAR JACKS W/BOTTOM GROUND TABS (SHEET 2)

ASSEMBLY MATERIAL NUMBER	CONNECTOR SIZE	NUMBER OF CIRCUITS	SIDE/TOP PANEL GROUND TAB OPTION	PCB GROUND TAB OPTION	TERMINAL PLATING OPTION	PACKAGING OPTION	HOUSING COLOR
43202-8900	8	10	A	FRONT POSITION	A	TRAY	BLACK
43202-8901	8	10	B	FRONT POSITION	A	TRAY	
43202-8902	8	10	C	FRONT POSITION	A	TRAY	
43202-8903	8	10	D	FRONT POSITION	A	TRAY	
43202-8908	8	10	A	REAR POSITION	A	TRAY	
43202-8909	8	10	B	REAR POSITION	A	TRAY	
43202-8910	8	10	C	REAR POSITION	A	TRAY	
43202-8911	8	10	D	REAR POSITION	A	TRAY	
43202-8916	8	8	A	FRONT POSITION	A	TRAY	
43202-8917	8	8	B	FRONT POSITION	A	TRAY	
43202-8918	8	8	C	FRONT POSITION	A	TRAY	
43202-8919	8	8	D	FRONT POSITION	A	TRAY	
43202-8924	8	8	A	REAR POSITION	A	TRAY	
43202-8925	8	8	B	REAR POSITION	A	TRAY	
43202-8926	8	8	C	REAR POSITION	A	TRAY	
43202-8927	8	8	D	REAR POSITION	A	TRAY	

SEE SHEET 1 EC NO: UCP2012-2472 DRW: NGUYEN 2012/02/03 CHKD: BELL 2012/02/03 APPR: FSMITH 2012/02/09	QUALITY SYMBOLS ▽=0 ▽=0 ▽=0	GENERAL TOLERANCES (UNLESS SPECIFIED)		DIMENSION STYLE IN/MM		SCALE 4:1	DESIGN UNITS INCH	THIRD ANGLE PROJECTION			
				mm	INCH	DRAWN BY JTR	DATE 1993/03/31	TITLE ULTRA LOW PROFILE RIGHT ANGLE MODULAR JACK ASSEMBLY			
				4 PLACES ± ---	± ---	CHECKED BY JTR	DATE 1993/03/31				
				3 PLACES ± ---	±.010	APPROVED BY FSMITH	DATE 2012/02/09				
		2 PLACES ± 0.25	±.014	MATERIAL NO. SEE CHART		MOLEX INCORPORATED		SHEET NO. 5 OF 9			
		1 PLACE ± 0.36	± ---	DRAFT WHERE APPLICABLE MUST REMAIN WITHIN DIMENSIONS		DOCUMENT NO. SDA-43202					
		ANGULAR ±1/2°		SIZE C		THIS DRAWING CONTAINS INFORMATION THAT IS PROPRIETARY TO MOLEX INCORPORATED AND SHOULD NOT BE USED WITHOUT WRITTEN PERMISSION					

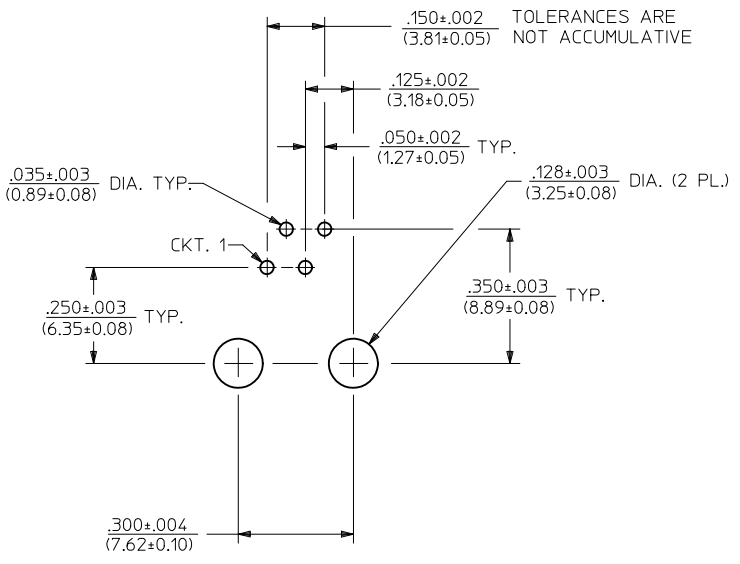
SHIELDED MODULAR JACKS W/O BOTTOM GROUND TABS (SHEET 3)

ASSEMBLY MATERIAL NUMBER	CONNECTOR SIZE	NUMBER OF CIRCUITS	SIDE/TOP PANEL GROUND TAB OPTION	PCB GROUND TAB OPTION	TERMINAL PLATING OPTION	PACKAGING	HOUSING COLOR
43202-8800	8	10	E	FRONT POSITION	A	TRAY	BLACK
43202-8801	8	10	F	FRONT POSITION	A	TRAY	
43202-8802	8	10	G	FRONT POSITION	A	TRAY	
43202-8803	8	10	H	FRONT POSITION	A	TRAY	
43202-8808	8	10	E	REAR POSITION	A	TRAY	
43202-8809	8	10	F	REAR POSITION	A	TRAY	
43202-8810	8	10	G	REAR POSITION	A	TRAY	
43202-8811	8	10	H	REAR POSITION	A	TRAY	
43202-8816	8	8	E	FRONT POSITION	A	TRAY	
43202-8817	8	8	F	FRONT POSITION	A	TRAY	
43202-8818	8	8	G	FRONT POSITION	A	TRAY	
43202-8819	8	8	H	FRONT POSITION	A	TRAY	
43202-8824	8	8	E	REAR POSITION	A	TRAY	
43202-8825	8	8	F	REAR POSITION	A	TRAY	
43202-8826	8	8	G	REAR POSITION	A	TRAY	
43202-8827	8	8	H	REAR POSITION	A	TRAY	

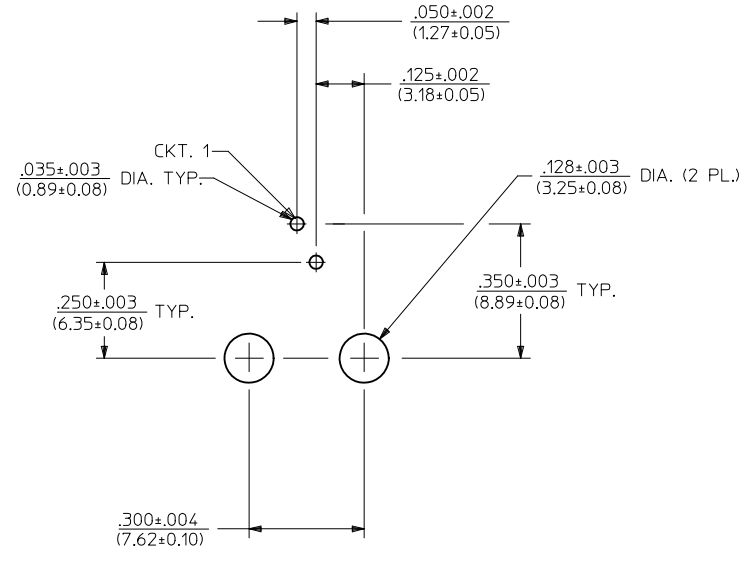
UNSHIELDED MODULAR JACKS- (SHEET 4)

ASSEMBLY MATERIAL NUMBER	CONNECTOR SIZE	NUMBER OF CIRCUITS	TERMINAL PLATING OPTION	KEYING OPTION	PACKAGING OPTION	HOUSING COLOR
43202-4101	4	4	A	NO	TRAY	BLACK
43202-4104	4	2	A	NO	TRAY	
43202-6101	6	6	A	NO	TRAY	
43202-6102	6	6	B	NO	TRAY	
43202-6104	6	4	A	NO	TRAY	
43202-6105	6	4	B	NO	TRAY	
43202-6107	6	2	A	NO	TRAY	
43202-6110	6	6	B	NO	TUBE	
43202-6113	6	2	A	NO	TRAY	
43202-6116	6	2	A	NO	TRAY	
43202-8101	8	10	A	NO	TRAY	BLACK
43202-8104	8	8	A	NO	TRAY	
43202-8105	8	8	B	NO	TRAY	
43202-8113	8	8	A	YES	TRAY	
43202-8116	8	6	A	NO	TRAY	
43202-8119	8	4	A	NO	TRAY	
43202-8122	8	2	A	NO	TRAY	
43202-8125	8	8	A	NO	TRAY	
43202-8504	8	8	A	NO	TUBE	
43202-8513	8	8	A	YES	TUBE	

SEE SHEET 1 EC NO: UCP2012-2472 DRW: NGUYEN 2012/02/03 CHKD: BELL 2012/02/03 APPR: FSMITH 2012/02/09	QUALITY SYMBOLS ▽=0 ▽=0 ▽=0	GENERAL TOLERANCES (UNLESS SPECIFIED)		DIMENSION STYLE IN/MM		SCALE 4:1	DESIGN UNITS INCH	THIRD ANGLE PROJECTION		
				DRAWN BY JTR	DATE 1993/03/31	TITLE ULTRA LOW PROFILE RIGHT ANGLE MODULAR JACK ASSEMBLY				
				CHECKED BY JTR	DATE 1993/03/31					
				APPROVED BY FSMITH	DATE 2012/02/09					
		ANGULAR ±1/2°		MATERIAL NO. SEE CHART		MOLEX INCORPORATED		DOCUMENT NO. SDA-43202		
		DRAFT WHERE APPLICABLE MUST REMAIN WITHIN DIMENSIONS		SIZE C		THIS DRAWING CONTAINS INFORMATION THAT IS PROPRIETARY TO MOLEX INCORPORATED AND SHOULD NOT BE USED WITHOUT WRITTEN PERMISSION		SHEET NO. 6 OF 9		



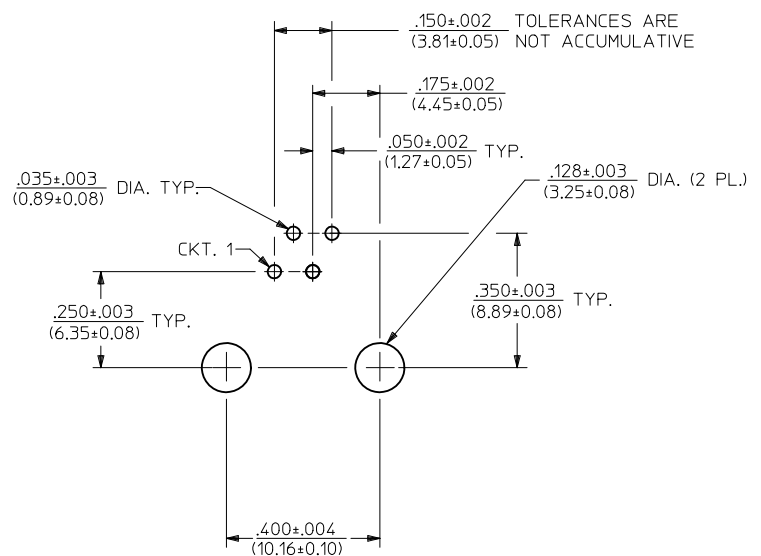
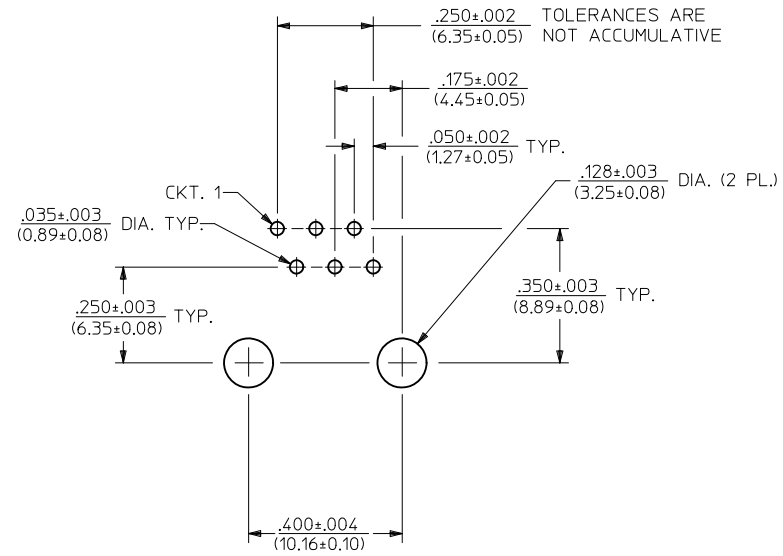
PC BOARD LAYOUT FOR 4 POSITION HOUSING
(4 CIRCUIT FOOT PRINT SHOWN)
(COMPONENT SIDE OF BOARD)



PC BOARD LAYOUT FOR 4 POSITION HOUSING
(2 CIRCUIT FOOT PRINT SHOWN)
(COMPONENT SIDE OF BOARD)

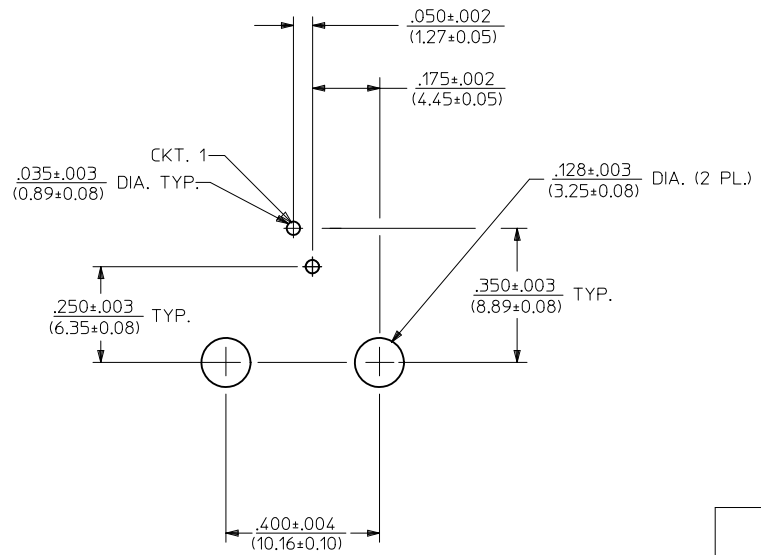
NOTES:
1. RECOMMENDED PCB THICKNESS: .062±.005/(1.57±0.13)

SEE SHEET 1 EC NO: UCP2012-2472 DRAWN: NGUYEN 2012/02/03 CHKD: BELL 2012/02/03 APPR: FSMITH 2012/02/09 L5	QUALITY SYMBOLS ▽=0 ▽=0 ▽=0	GENERAL TOLERANCES (UNLESS SPECIFIED)		DIMENSION STYLE IN/MM		SCALE 4:1	DESIGN UNITS INCH	THIRD ANGLE PROJECTION	
		4 PLACES ± --- ± ---		DRAWN BY DATE JTR 1993/03/31		TITLE ULTRA LOW PROFILE RIGHT ANGLE MODULAR JACK ASSEMBLY			
		3 PLACES ± --- ± .010		CHECKED BY DATE JTR 1993/03/31					
		2 PLACES ± 0.25 ± .014		APPROVED BY DATE FSMITH 2012/02/09		MOLEX MOLEX INCORPORATED DOCUMENT NO. SDA-43202 SHEET NO. 7 OF 9			
		1 PLACE ± 0.36 ± ---		MATERIAL NO.					
ANGULAR ± 1/2°		DRAFT WHERE APPLICABLE MUST REMAIN WITHIN DIMENSIONS		SEE SHEET 6		THIS DRAWING CONTAINS INFORMATION THAT IS PROPRIETARY TO MOLEX INCORPORATED AND SHOULD NOT BE USED WITHOUT WRITTEN PERMISSION			



PC BOARD LAYOUT FOR 6 POSITION HOUSING
(6 CIRCUIT FOOT PRINT SHOWN)
(COMPONENT SIDE OF BOARD)

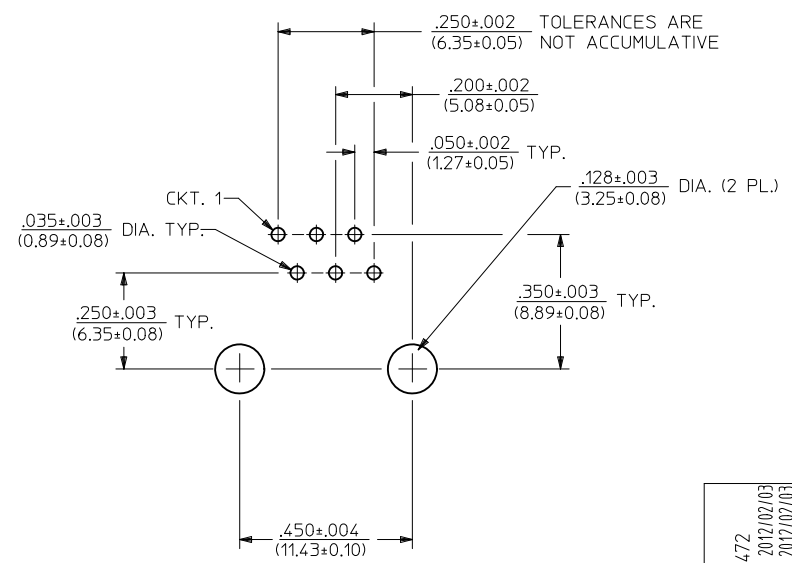
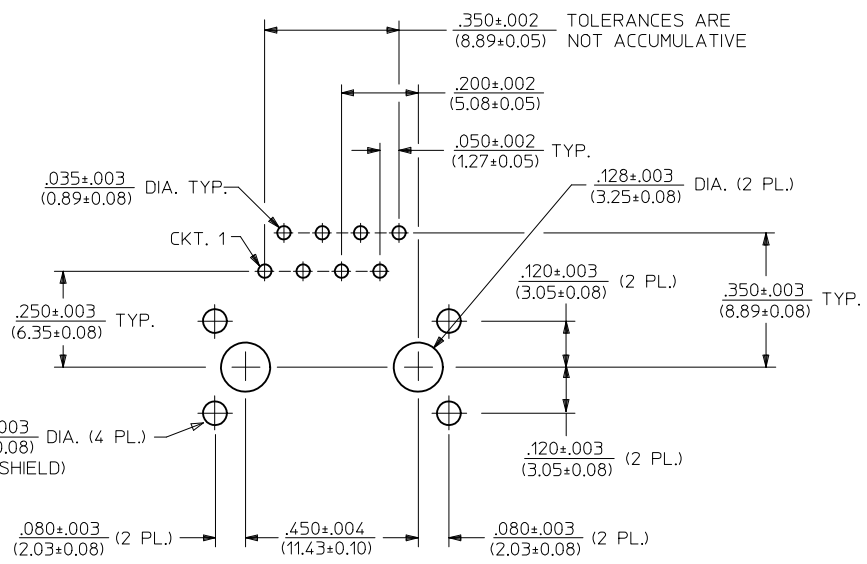
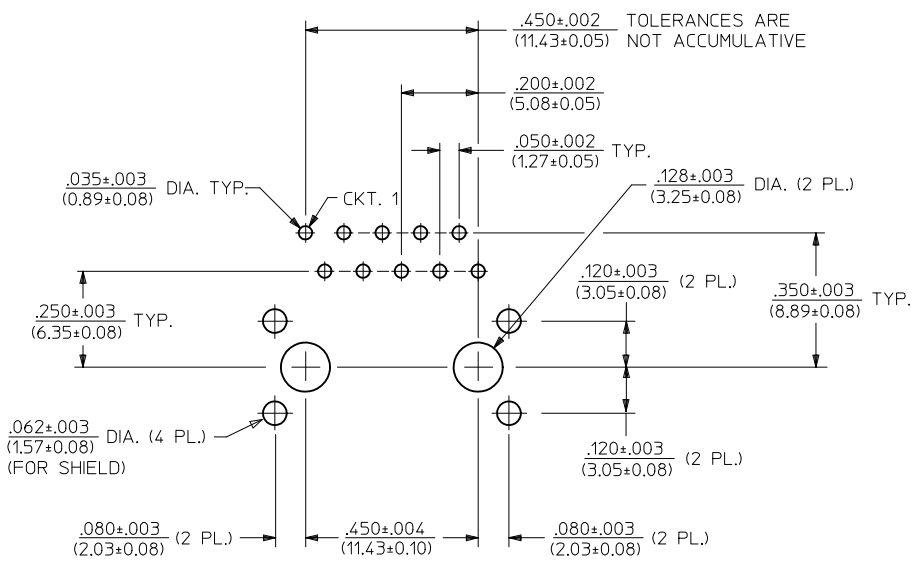
PC BOARD LAYOUT FOR 6 POSITION HOUSING
(4 CIRCUIT FOOT PRINT SHOWN)
(COMPONENT SIDE OF BOARD)



PC BOARD LAYOUT FOR 6 POSITION HOUSING
(2 CIRCUIT FOOT PRINT SHOWN)
(COMPONENT SIDE OF BOARD)

NOTES:
1. RECOMMENDED PCB THICKNESS: .062±.005/(1.57±0.13)

SEE SHEET 1 EC NO: UCP2012-2472 DRW: NGUYEN 2012/02/03 CHKD: BELL 2012/02/03 APPR: FSMITH 2012/02/09	DESCRIPTION REV	QUALITY SYMBOLS	GENERAL TOLERANCES (UNLESS SPECIFIED)	DIMENSION STYLE IN/MM	SCALE 4:1	DESIGN UNITS INCH	THIRD ANGLE PROJECTION
		▽=0	mm INCH	DRAWN BY DATE JTR 1993/03/31	TITLE ULTRA LOW PROFILE RIGHT ANGLE MODULAR JACK ASSEMBLY	MATERIAL NO. MOLEX INCORPORATED	SHEET NO. 8 OF 9
		▽=0	4 PLACES ± --- ± ---	CHECKED BY DATE JTR 1993/03/31			
		▽=0	3 PLACES ± --- ± .010	APPROVED BY DATE FSMITH 2012/02/09			
		DRAFT WHERE APPLICABLE MUST REMAIN WITHIN DIMENSIONS		2 PLACES ± 0.25 ± .014	1 PLACE ± 0.36 ± ---	ANGULAR ± 1/2°	SEE SHEET 6
THIS DRAWING CONTAINS INFORMATION THAT IS PROPRIETARY TO MOLEX INCORPORATED AND SHOULD NOT BE USED WITHOUT WRITTEN PERMISSION							



NOTES:
1. RECOMMENDED PCB THICKNESS: .062 ± .005 / (1.57 ± 0.13)

PC BOARD LAYOUT FOR 8 POSITION HOUSING
(6 CIRCUIT FOOTPRINT SHOWN)
(COMPONENT SIDE OF BOARD)

SEE SHEET 1 EC NO: UCP2012-2472 DRW: NGUYEN 2012/02/03 CHKD: BELL 2012/02/03 APPR: FSMITH 2012/02/09 L5	QUALITY SYMBOLS ▽=0 ▽=0 ▽=0	GENERAL TOLERANCES (UNLESS SPECIFIED) mm INCH 4 PLACES ± --- ± --- 3 PLACES ± --- ± .010 2 PLACES ± .25 ± .014 1 PLACE ± 0.36 ± --- ANGULAR ± 1/2°	DIMENSION STYLE IN/MM DRAWN BY DATE JTR 1993/03/31 CHECKED BY DATE JTR 1993/03/31 APPROVED BY DATE FSMITH 2012/02/09	SCALE 4:1 DESIGN UNITS INCH THIRD ANGLE PROJECTION	TITLE ULTRA LOW PROFILE RIGHT ANGLE MODULAR JACK ASSEMBLY	MATERIAL NO. SEE SHTS 5&6	MOLEX INCORPORATED DOCUMENT NO. SDA-43202	SHEET NO. 9 OF 9
	DRAFT WHERE APPLICABLE MUST REMAIN WITHIN DIMENSIONS		THIS DRAWING CONTAINS INFORMATION THAT IS PROPRIETARY TO MOLEX INCORPORATED AND SHOULD NOT BE USED WITHOUT WRITTEN PERMISSION					