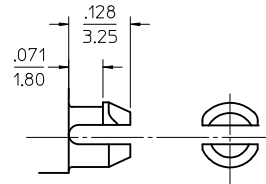
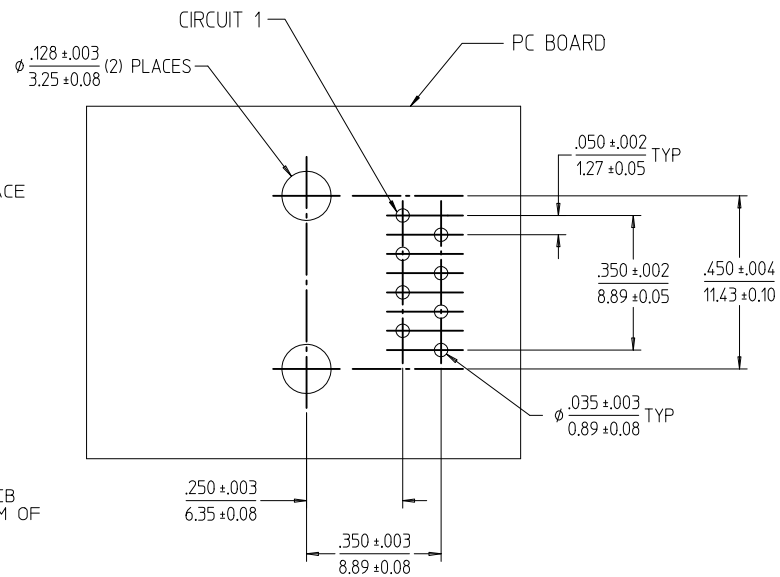
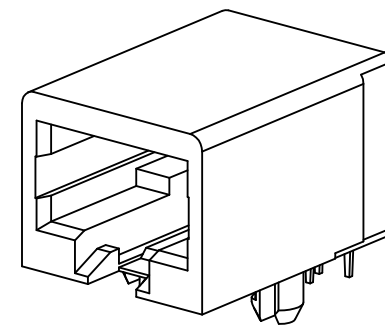


RECOMMENDED PANEL
OPENING



SNAP-FIT PEG
SCALE: NTS

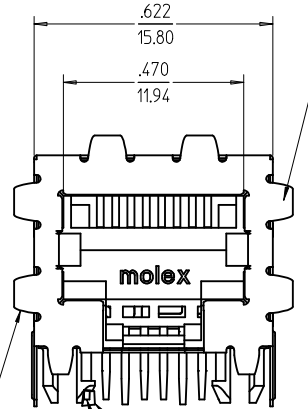


PCB LAYOUT: COMPONENT SIDE
RECOMMENDED PCB THICKNESS: .062/1.57

NOTES:

- 1) MATERIAL:
HOUSING: NYLON(PA), GLASS FILLED, UL94V-0, COLOR: BLACK
TERMINALS: PHOSPHOR BRONZE
- 2) FINISH:
TERMINALS:
SELECT GOLD IN CONTACT AREA: 50 MICROINCHES / 1.27 MICROMETERS MIN.
SELECT MATTE TIN IN PC TAIL AREA: 100 MICROINCHES / 2.54 MICROMETERS MIN.
WITH OVERALL NICKEL UNDERPLATE: 50 MICROINCHES / 1.27 MICROMETERS MIN.
- 3) PRODUCT SPECIFICATION AND PROCESSING PARAMETERS: PS-44050-003.
- 4) PACKAGING SPECIFICATION:
CONNECTOR ASSEMBLIES IN THERMOFORMED TRAYS PER MOLEX PACKAGING SPECIFICATION PK-44050-004.
- 5) MATES WITH: MODULAR PLUGS THAT CONFORM TO FCC REGULATION PART 68.5.
- 6) TERMINAL LENGTHS MAY BE DIFFERENT FROM TERMINAL TO TERMINAL.
- 7) THIS PART CONFORMS TO CLASS B REQUIREMENTS OF COSMETIC SPECIFICATION PS-45499-002 WITH THE EXCEPTION OF THE SURFACE INDICATED, WHICH IS A CLASS C SURFACE.

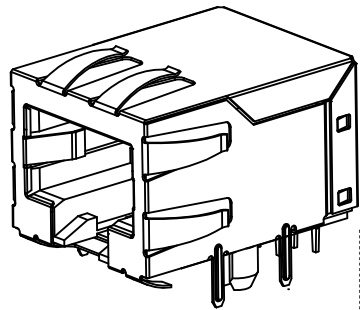
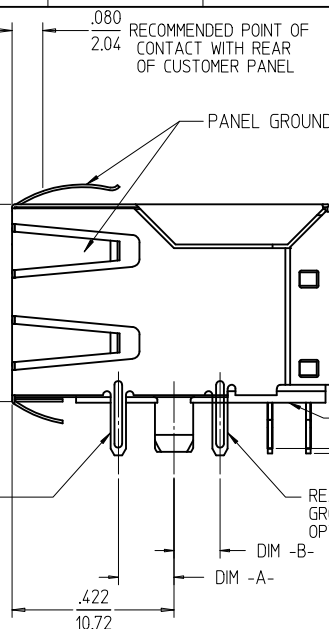
CHANGE TO CAT 5 EC NO: UCP2011-0149 DRWN: JAGUILAR 2010/07/16 CHKD: JEBEL 2010/07/16 APPR: FSMITH 2010/07/17	QUALITY SYMBOLS	GENERAL TOLERANCES (UNLESS SPECIFIED)	DIMENSION STYLE	SCALE	DESIGN UNITS	THIRD ANGLE PROJECTION
	▽=0	mm INCH	IN/MM	4:1	INCH	
	▽=0	4 PLACES ± --- ± ---	DRAWN BY	DATE	TITLE	
	▽=0	3 PLACES ± --- ± .010	MARANTO	98/04/06	CATEGORY 5 MODULAR JACK ASSEMBLIES, SINGLE PORT	
		2 PLACES ± 0.25 ± ---	CHECKED BY	DATE		
		1 PLACE ± --- ± ---	ROBERTS	98/04/06		
		ANGULAR ± 1/2°	APPROVED BY	DATE		
			ROBERTS	98/04/06		
		DRAFT WHERE APPLICABLE MUST REMAIN WITHIN DIMENSIONS	MATERIAL NO.	DOCUMENT NO.	SHEET NO.	
			440500001	SD-44050-002	1 OF 2	
			SIZE	THIS DRAWING CONTAINS INFORMATION THAT IS PROPRIETARY TO MOLEX INCORPORATED AND SHOULD NOT BE USED WITHOUT WRITTEN PERMISSION		
			C			



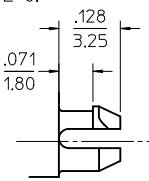
OPTIONAL PANEL GROUND TABS SEE NOTE #6

.515
13.06

FRONT PCB GROUND TAB OPTION

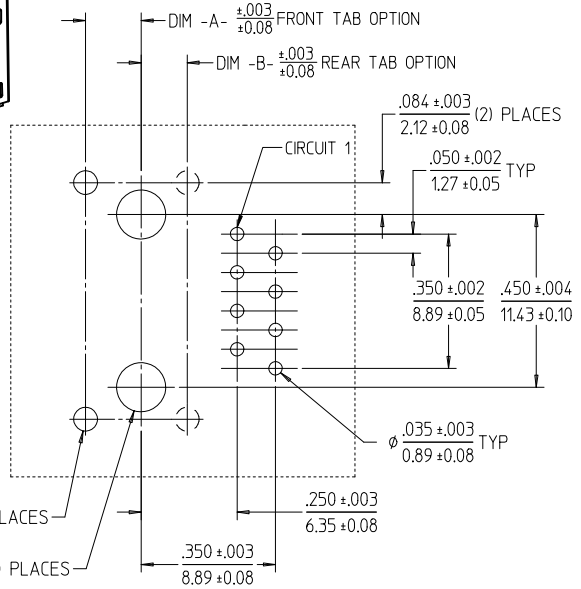


ISOMETRIC VIEW (NOT TO SCALE)



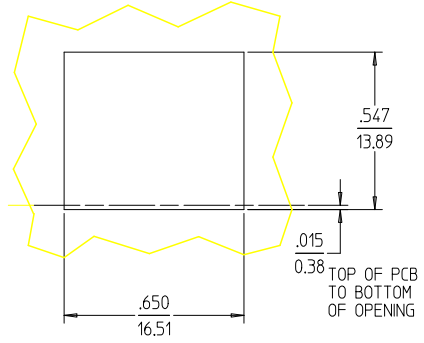
SNAP-FIT PEG SCALE: NTS

$\phi .062 \pm .003$ (2) PLACES
 1.57 ± 0.08
 $\phi .128 \pm .003$ (2) PLACES
 3.25 ± 0.08

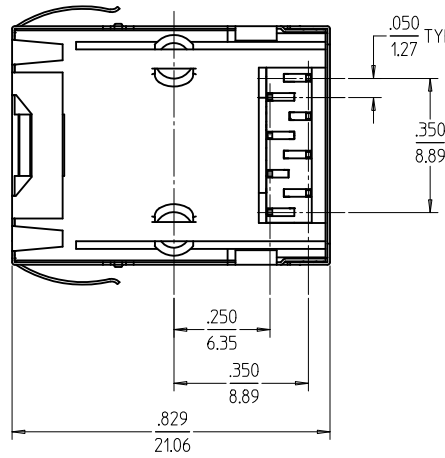


PCB LAYOUT: COMPONENT SIDE
RECOMMENDED PCB THICKNESS: .062/1.57

- NOTES:
- MATERIAL:
HOUSING: NYLON(PA), GLASS FILLED, UL94V-0, COLOR: BLACK
TERMINALS: PHOSPHOR BRONZE
SHIELD: BRASS
 - FINISH:
TERMINALS:
SELECT GOLD IN CONTACT AREA: 50 MICROINCHES / 1.27 MICROMETERS MIN., SELECT TIN IN PC TAIL AREA: 100 MICROINCHES / 2.54 MICROMETERS MIN., WITH OVERALL NICKEL UNDERPLATE: 50 MICROINCHES / 1.27 MICROMETERS MIN.
SHIELD:
100 MICROINCHES / 2.54 MICROMETERS NICKEL OVER 50 MICROINCHES / 1.27 MICROMETERS COPPER UNDERPLATE, PCB GROUND TABS DIPPED IN TIN
 - PRODUCT SPECIFICATION AND PROCESSING PARAMETERS: PS-44050-003.
 - PACKAGING SPECIFICATION:
CONNECTOR ASSEMBLIES IN THERMOFORMED TRAYS PER MOLEX PACKAGING SPECIFICATION PK-44050-004.
 - MATES WITH: MODULAR PLUGS THAT CONFORM TO FCC REGULATION PART 68.5.
 - AVAILABLE WITH THE (2) SPECIFIED PANEL GROUND TABS OMITTED FOR SIDE TO SIDE STACKABILITY, PER THE ASSEMBLY MATERIAL NUMBER TABLE.
 - TERMINAL LENGTHS MAY BE DIFFERENT FROM TERMINAL TO TERMINAL.
 - THIS PART CONFORMS TO CLASS B REQUIREMENTS OF COSMETIC SPECIFICATION PS-45499-002 WITH THE EXCEPTION OF THE SURFACE INDICATED, WHICH IS A CLASS C SURFACE.



RECOMMENDED PANEL OPENING (SHIELDED VERSIONS)



.050
1.27 TYP TOLERANCE NON-ACCUMULATIVE

ASSEMBLY MATERIAL NUM	DIM -A-	DIM -B-	PANEL GROUND TAB OPTION
440500007	.120/3.05	N/A	ALL
440500002	.145/3.68	N/A	ALL
440500006	.180/4.57	N/A	ALL
440500003	N/A	.120/3.05	ALL
440500009	.120/3.05	N/A	SEE NOTE #6
440500004	.145/3.68	N/A	SEE NOTE #6
440500008	.180/4.57	N/A	SEE NOTE #6
440500005	N/A	.120/3.05	SEE NOTE #6

SEE SHEET 1 EC NO: UCP2011-0149 DRAWN: JAGUILAR 2010/07/16 CHKD: JEBEL 2010/07/16 APPR: FSMITH 2010/07/27	QUALITY SYMBOLS 	GENERAL TOLERANCES (UNLESS SPECIFIED) <table border="1"> <tr> <th>mm</th> <th>INCH</th> </tr> <tr> <td>4 PLACES ± ---</td> <td>± ---</td> </tr> <tr> <td>3 PLACES ± ---</td> <td>± .010</td> </tr> <tr> <td>2 PLACES ± .025</td> <td>± ---</td> </tr> <tr> <td>1 PLACE ± ---</td> <td>± ---</td> </tr> </table>	mm	INCH	4 PLACES ± ---	± ---	3 PLACES ± ---	± .010	2 PLACES ± .025	± ---	1 PLACE ± ---	± ---	DIMENSION STYLE IN/MM	SCALE 4:1	DESIGN UNITS INCH	THIRD ANGLE PROJECTION
		mm	INCH													
		4 PLACES ± ---	± ---													
3 PLACES ± ---	± .010															
2 PLACES ± .025	± ---															
1 PLACE ± ---	± ---															
DRAWN BY MARANTO	DATE 98/04/06	CATEGORY 5 MODULAR JACK ASSEMBLIES, SINGLE PORT														
CHECKED BY ROBERTS	DATE 98/04/06	MOLEX INCORPORATED														
APPROVED BY ROBERTS	DATE 98/04/06	MATERIAL NO. SEE CHART	DOCUMENT NO. SD-44050-002	SHEET NO. 2 OF 2												
DRAFT WHERE APPLICABLE MUST REMAIN WITHIN DIMENSIONS						THIS DRAWING CONTAINS INFORMATION THAT IS PROPRIETARY TO MOLEX INCORPORATED AND SHOULD NOT BE USED WITHOUT WRITTEN PERMISSION										