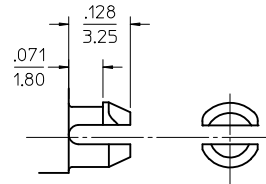
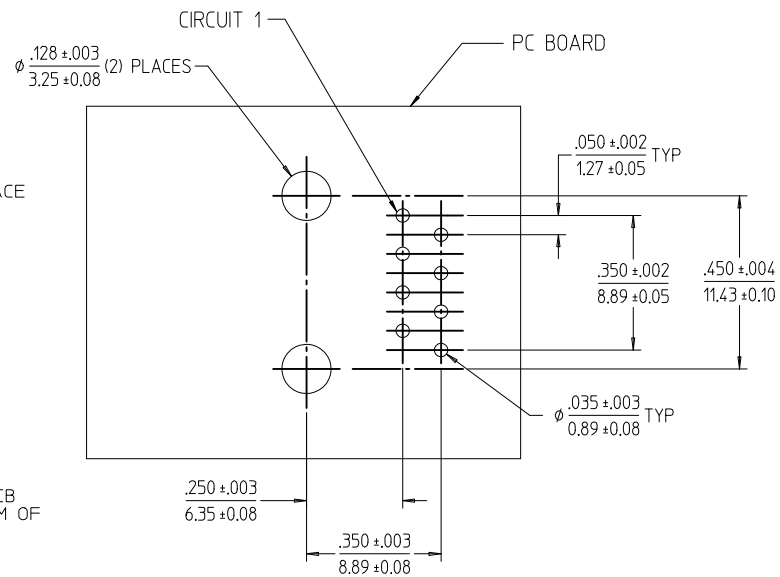
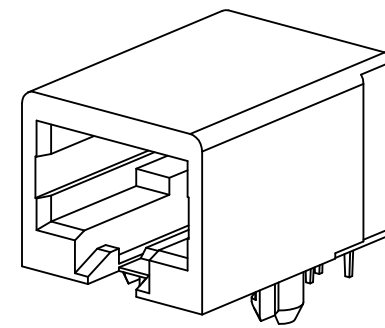


RECOMMENDED PANEL
OPENING



SNAP-FIT PEG
SCALE: NTS



PCB LAYOUT: COMPONENT SIDE
RECOMMENDED PCB THICKNESS: .062/1.57

NOTES:

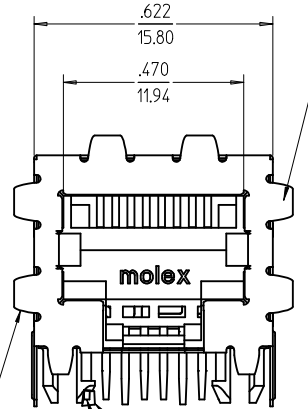
- 1) MATERIAL:
HOUSING: NYLON(PA), GLASS FILLED, UL94V-0, COLOR: BLACK
TERMINALS: PHOSPHOR BRONZE
- 2) FINISH:
TERMINALS:
SELECT GOLD IN CONTACT AREA: 50 MICROINCHES / 1.27 MICROMETERS MIN.
SELECT MATTE TIN IN PC TAIL AREA: 100 MICROINCHES / 2.54 MICROMETERS MIN.
WITH OVERALL NICKEL UNDERPLATE: 50 MICROINCHES / 1.27 MICROMETERS MIN.
- 3) PRODUCT SPECIFICATION AND PROCESSING PARAMETERS: PS-44050-003.
- 4) PACKAGING SPECIFICATION:
CONNECTOR ASSEMBLIES IN THERMOFORMED TRAYS PER MOLEX PACKAGING SPECIFICATION PK-44050-004.
- 5) MATES WITH: MODULAR PLUGS THAT CONFORM TO FCC REGULATION PART 68.5.
- 6) TERMINAL LENGTHS MAY BE DIFFERENT FROM TERMINAL TO TERMINAL.
- 7) THIS PART CONFORMS TO CLASS B REQUIREMENTS OF COSMETIC SPECIFICATION PS-45499-002 WITH THE EXCEPTION OF THE SURFACE INDICATED, WHICH IS A CLASS C SURFACE.

CHANGE TO CAT 5	EC NO: UCP2011-0149	2010/07/16	QUALITY SYMBOLS
	DRWN: JAGUILAR	2010/07/16	
	CHKD: JEBEL	2010/07/16	
	APPR: FSMITH	2010/07/17	
REV	DESCRIPTION		

GENERAL TOLERANCES (UNLESS SPECIFIED)	
mm	INCH
4 PLACES ± .010	± .010
3 PLACES ± .010	± .010
2 PLACES ± .025	± .025
1 PLACE ± .050	± .050
ANGULAR ± 1/2°	
DRAFT WHERE APPLICABLE MUST REMAIN WITHIN DIMENSIONS	

DIMENSION STYLE		SCALE	DESIGN UNITS	THIRD ANGLE PROJECTION
IN/MM		4:1	INCH	
DRAWN BY	DATE	TITLE		
MARANTO	98/04/06	CATEGORY 5 MODULAR JACK ASSEMBLIES, SINGLE PORT		
CHECKED BY	DATE	MATERIAL NO.		
ROBERTS	98/04/06	440500001		
APPROVED BY	DATE	DOCUMENT NO.		
ROBERTS	98/04/06	SD-44050-002		
SHEET NO.		1 OF 2		

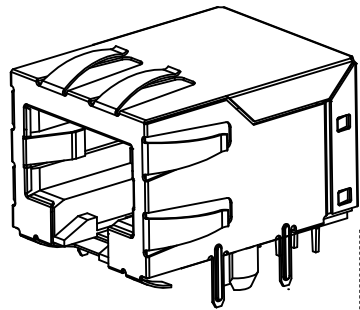
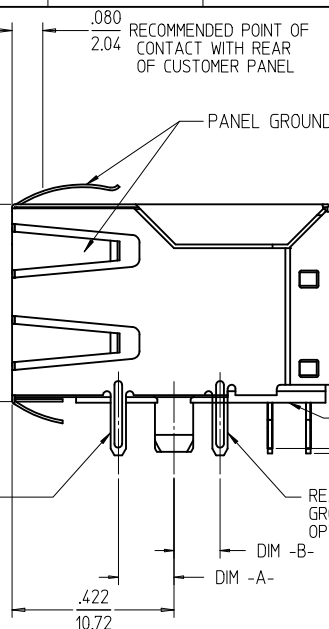
MATERIAL NO.		DOCUMENT NO.		SHEET NO.
440500001		SD-44050-002		1 OF 2
THIS DRAWING CONTAINS INFORMATION THAT IS PROPRIETARY TO MOLEX INCORPORATED AND SHOULD NOT BE USED WITHOUT WRITTEN PERMISSION				



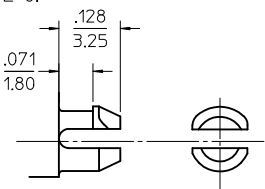
OPTIONAL PANEL GROUND TABS SEE NOTE #6

.515
13.06

FRONT PCB GROUND TAB OPTION



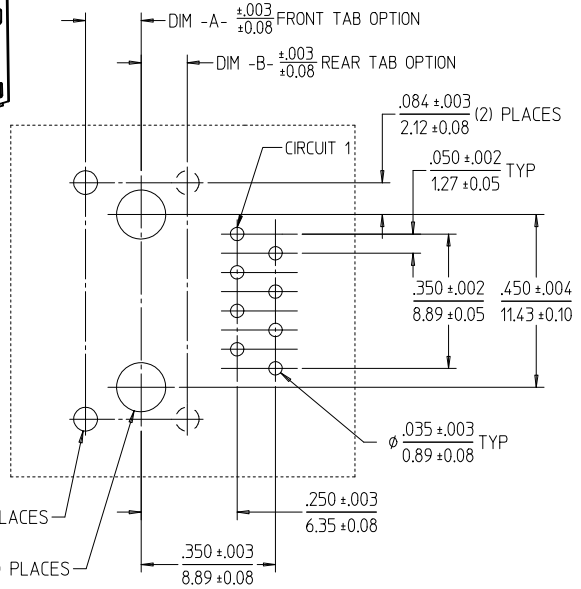
ISOMETRIC VIEW (NOT TO SCALE)



SNAP-FIT PEG SCALE: NTS

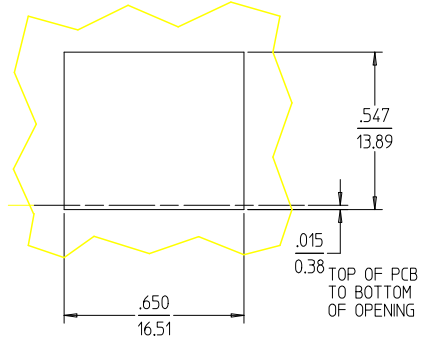
$\phi .062 \pm .003$ (2) PLACES
 1.57 ± 0.08
 $\phi .128 \pm .003$ (2) PLACES
 3.25 ± 0.08

.050 TYP TOLERANCE NON-ACCUMULATIVE
1.27

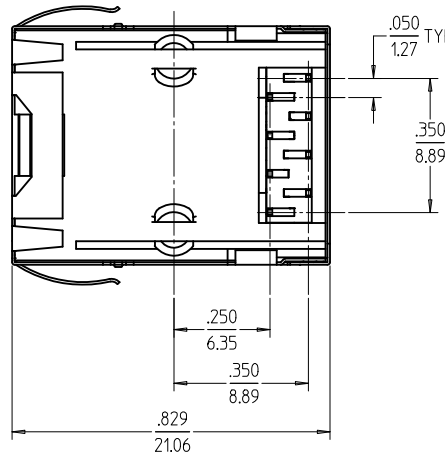


PCB LAYOUT: COMPONENT SIDE
RECOMMENDED PCB THICKNESS: .062/1.57

- NOTES:
- MATERIAL:
HOUSING: NYLON(PA), GLASS FILLED, UL94V-0, COLOR: BLACK
TERMINALS: PHOSPHOR BRONZE
SHIELD: BRASS
 - FINISH:
TERMINALS:
SELECT GOLD IN CONTACT AREA: 50 MICROINCHES / 1.27 MICROMETERS MIN., SELECT TIN IN PC TAIL AREA: 100 MICROINCHES / 2.54 MICROMETERS MIN., WITH OVERALL NICKEL UNDERPLATE: 50 MICROINCHES / 1.27 MICROMETERS MIN.
SHIELD:
100 MICROINCHES / 2.54 MICROMETERS NICKEL OVER 50 MICROINCHES / 1.27 MICROMETERS COPPER UNDERPLATE, PCB GROUND TABS DIPPED IN TIN
 - PRODUCT SPECIFICATION AND PROCESSING PARAMETERS: PS-44050-003.
 - PACKAGING SPECIFICATION:
CONNECTOR ASSEMBLIES IN THERMOFORMED TRAYS PER MOLEX PACKAGING SPECIFICATION PK-44050-004.
 - MATES WITH: MODULAR PLUGS THAT CONFORM TO FCC REGULATION PART 68.5.
 - AVAILABLE WITH THE (2) SPECIFIED PANEL GROUND TABS OMITTED FOR SIDE TO SIDE STACKABILITY, PER THE ASSEMBLY MATERIAL NUMBER TABLE.
 - TERMINAL LENGTHS MAY BE DIFFERENT FROM TERMINAL TO TERMINAL.
 - THIS PART CONFORMS TO CLASS B REQUIREMENTS OF COSMETIC SPECIFICATION PS-45499-002 WITH THE EXCEPTION OF THE SURFACE INDICATED, WHICH IS A CLASS C SURFACE.



RECOMMENDED PANEL OPENING (SHIELDED VERSIONS)



ASSEMBLY MATERIAL NUM	DIM -A-	DIM -B-	PANEL GROUND TAB OPTION
440500007	.120/3.05	N/A	ALL
440500002	.145/3.68	N/A	ALL
440500006	.180/4.57	N/A	ALL
440500003	N/A	.120/3.05	ALL
440500009	.120/3.05	N/A	SEE NOTE #6
440500004	.145/3.68	N/A	SEE NOTE #6
440500008	.180/4.57	N/A	SEE NOTE #6
440500005	N/A	.120/3.05	SEE NOTE #6

SEE SHEET 1	DESCRIPTION	QUALITY SYMBOLS
EC NO: UCP2011-0149	2010/07/16	▽=0
DRWIN: JAGUILAR	2010/07/16	▽=0
CHKD: JEBEL	2010/07/16	▽=0
APPR: FSMITH	2010/07/17	

GENERAL TOLERANCES (UNLESS SPECIFIED)	
mm	INCH
4 PLACES ± ---	± ---
3 PLACES ± ---	± .010
2 PLACES ± .025	± ---
1 PLACE ± ---	± ---
ANGULAR ± 1/2°	
DRAFT WHERE APPLICABLE MUST REMAIN WITHIN DIMENSIONS	

DIMENSION STYLE		SCALE	DESIGN UNITS	THIRD ANGLE PROJECTION
IN/MM		4:1	INCH	
DRAWN BY	DATE	TITLE		
MARANTO	98/04/06	CATEGORY 5 MODULAR JACK ASSEMBLIES, SINGLE PORT		
CHECKED BY	DATE	MATERIAL NO.		
ROBERTS	98/04/06	DOCUMENT NO.		
APPROVED BY	DATE	SHEET NO.		
ROBERTS	98/04/06	2 OF 2		

MATERIAL NO.		DOCUMENT NO.		SHEET NO.	
SEE CHART		SD-44050-002		2 OF 2	
THIS DRAWING CONTAINS INFORMATION THAT IS PROPRIETARY TO MOLEX INCORPORATED AND SHOULD NOT BE USED WITHOUT WRITTEN PERMISSION					