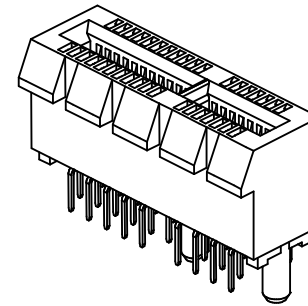
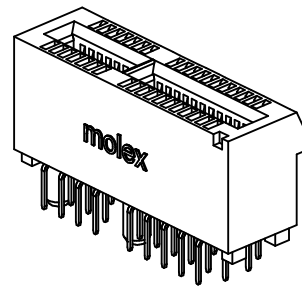
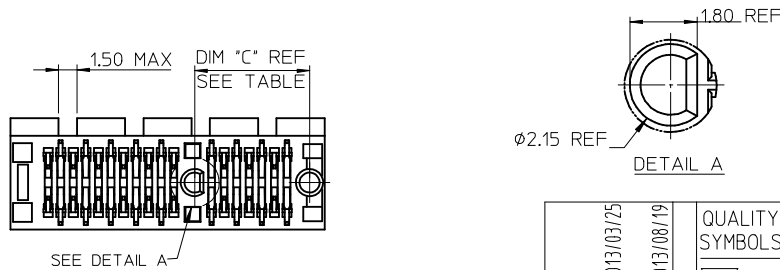


SECTION A-A



NOTES:

1.MATERIALS:

1-1.HOUSING: SEE TABLE ,GLASS FIBER FILLED UL94V-0, COLOR: SEE TABLE.

1-2.CONTACT: SEE TABLE

2.PLATING:

2-1.CONTACT AREA: GOLD, THICKNESS : SEE TABLE .

2-2.SOLDER TAIL: 100 MICRONCH MIN. TIN PLATING.

2-3.UNDER PLATING: NICKEL PLATING OVERALL.

3.DATE CODE: YY MM DD.

4.PRODUCT SPECIFICATION REFER TO PS-87715-200.

5.TEST SUMMARY:REFER TO TS-87715-207.

CONNECTOR LINK WIDTH	# POS REF	N	DIM 'A'	DIM 'B'	DIM 'C'
X1	36	6	7.65	25.00	9.15
X16	164	70	71.65	89.00	73.15

PCB THK (REF)	DIM 'D'
1.58	2.54
2.36	3.00

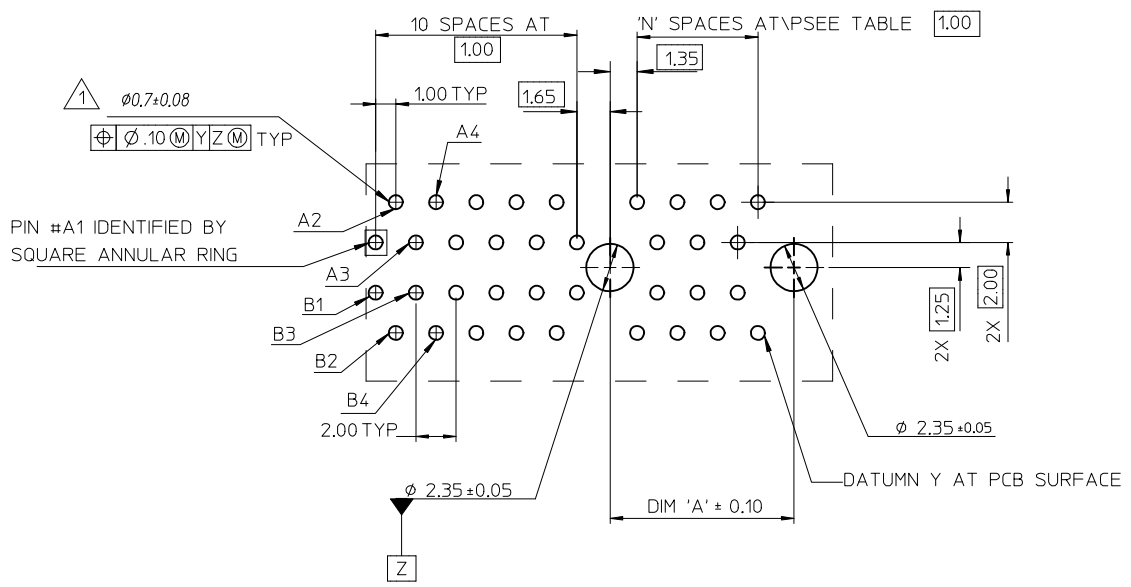
ADDED OPTION	EC NO:	DATE	DESCRIPTION	REV	QUALITY SYMBOLS
	T1DRWNR/L109	2013/03/25			F=0
	CH/KD:				E=0
	APPR:RZHANG	2013/08/19			F=0

	GENERAL TOLERANCES (UNLESS SPECIFIED)	
	mm	INCH
4 PLACES	± ---	± ---
3 PLACES	± ---	± ---
2 PLACES	± 0.25	± ---
1 PLACE	± 0.25	± ---
0 PLACE	±	±

ANGULAR ± 3 °
DRAFT WHERE APPLICABLE MUST REMAIN WITHIN DIMENSIONS

DIMENSION STYLE		SCALE	DESIGN UNITS	THIRD ANGLE PROJECTION
MM ONLY			METRIC	
DRAWN BY	DATE	TITLE		
DAVID HU	2007/05/14	PCI EXPRESS		
CHECKED BY	DATE	EDGE CARD CONNECTOR		
HARVEY	2007/05/14	(LEAD FREE VERSION)		
APPROVED BY	DATE	molex		
JENNY CHEN	2007/05/14			
MATERIAL NO.		DOCUMENT NO.	SHEET NO.	
SEE TABLE		SD-87715-901	1 OF 6	

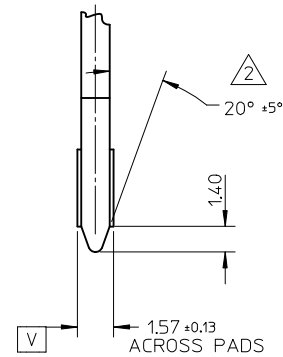
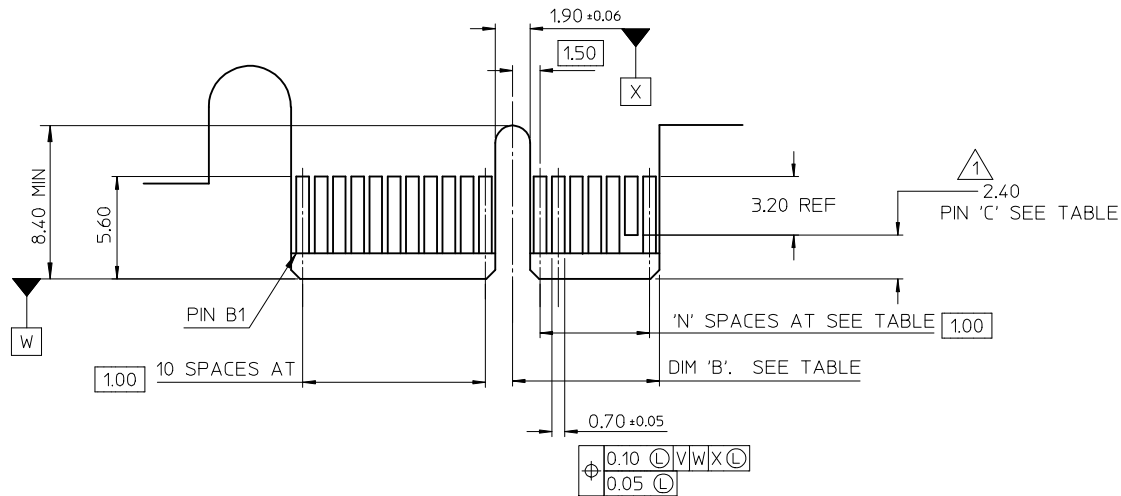
THIS DRAWING CONTAINS INFORMATION THAT IS PROPRIETARY TO MOLEX INCORPORATED AND SHOULD NOT BE USED WITHOUT WRITTEN PERMISSION



① THE HORIZONTAL AXIS FOR THE HOLE PATTERN IS ESTABLISHED BY A LINE THROUGH THE CENTER OF THE TWO $\phi 2.35$ HOLES. THE VERTICAL AXIS IS 90° TO THE HORIZONTAL AXIS, THROUGH THE CENTER OF DATUM Z

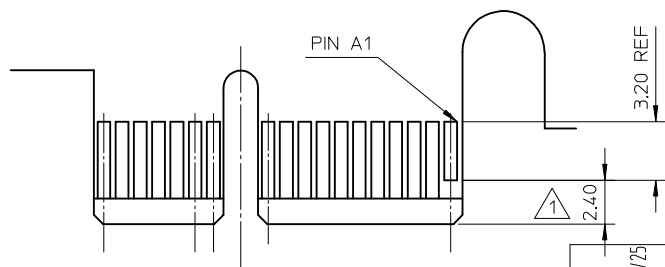
CONNECTOR LINK WIDTH	# POS REF	N	DIM 'A'
X1	36	6	9.15
X16	164	70	73.15

ADDED OPTION EC NO: SH2013-0300 TDRW:RL109 2013/03/25 CHKD: APPR:RZHANG 2013/08/19	QUALITY SYMBOLS	GENERAL TOLERANCES (UNLESS SPECIFIED)	DIMENSION STYLE	SCALE	DESIGN UNITS	THIRD ANGLE PROJECTION
	$F_A=0$ $F_G=0$ $F_P=0$	mm INCH 4 PLACES ± --- ± --- 3 PLACES ± --- ± --- 2 PLACES ± 0.25 ± --- 1 PLACE ± 0.25 ± --- 0 PLACE ± ±	MM ONLY	DRAWN BY DATE DAVID HU 2007/05/14 CHECKED BY DATE HARVEY 2007/05/14 APPROVED BY DATE JENNY CHEN 2007/05/14	TITLE	PCI EXPRESS EDGE CARD CONNECTOR (LEAD FREE VERSION) molex DOCUMENT NO. SD-87715-901 SHEET NO. 2 OF 6
	ANGULAR ± 3 ° DRAFT WHERE APPLICABLE MUST REMAIN WITHIN DIMENSIONS	SEE TABLE	THIS DRAWING CONTAINS INFORMATION THAT IS PROPRIETARY TO MOLEX INCORPORATED AND SHOULD NOT BE USED WITHOUT WRITTEN PERMISSION			
	SIZE A3					



← I/O PANEL DIRECTION

PRIMARY (COMPONENT) SIDE



I/O PANEL DIRECTION →

SECONDARY (SOLDER) SIDE

- 1 NO TIE BAR PERMITTED FROM CARD EDGE TO LEADING EDGE OF PAD FOR PINS A1 AND "C".
- 2 CHAMFER EDGES MUST BE FREE OF CUTTING BURRS.
- 3 TOLERANCE: .XX±.13

CONNECTOR LINK WIDTH	# POS REF	N	DIM 'B'	'C' 1
X1	36	6	8.15	B17
X16	164	70	72.15	B17, B31 B48,B81

ADDED OPTION EC NO: SH2013-0300 DRWNR: 109 2013/03/25 CHKD: APPR: RZHANG 2013/08/19	QUALITY SYMBOLS	GENERAL TOLERANCES (UNLESS SPECIFIED)		DIMENSION STYLE MM ONLY		SCALE	DESIGN UNITS METRIC	THIRD ANGLE PROJECTION	
	$\nabla = 0$ $\nabla = 0$ $\nabla = 0$	4 PLACES ± --- ± --- 3 PLACES ± --- ± --- 2 PLACES ± 0.25 ± --- 1 PLACE ± 0.25 ± --- 0 PLACE ± ±	mm	INCH	DRAWN BY DAVID HU	DATE 2007/05/14	TITLE PCI EXPRESS EDGE CARD CONNECTOR (LEAD FREE VERSION)		
		ANGULAR ± 3°	DRAFT WHERE APPLICABLE MUST REMAIN WITHIN DIMENSIONS		CHECKED BY HARVEY	DATE 2007/05/14	molex SD-87715-901 SHEET NO. 3 OF 6		
					APPROVED BY JENNY CHEN	DATE 2007/05/14			
				SEE TABLE		THIS DRAWING CONTAINS INFORMATION THAT IS PROPRIETARY TO MOLEX INCORPORATED AND SHOULD NOT BE USED WITHOUT WRITTEN PERMISSION			

F

E

D

C

B

A

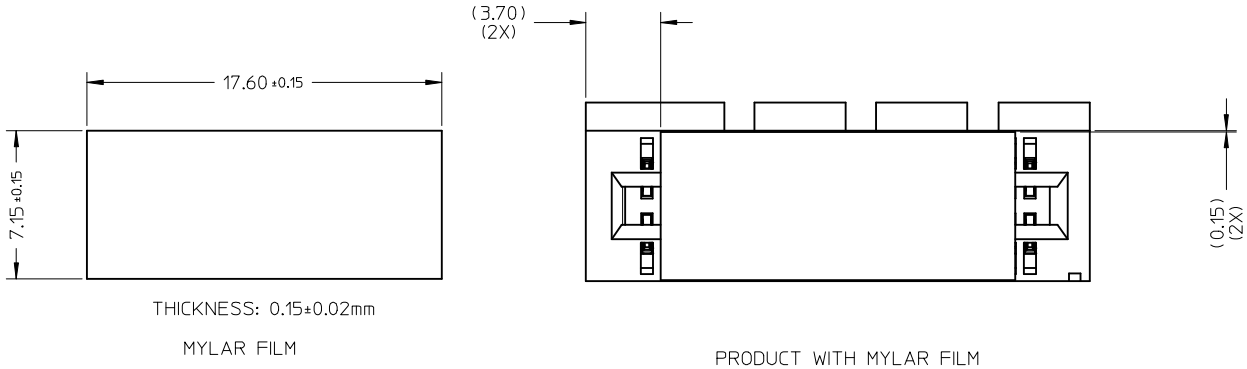
MOLEX P/N	CIRCUIT SIZE	HOUSING MATERIAL	HOUSING COLOR	TERMINAL MATERIAL	CONTACT PLATING	SOLDER TAIL "D" LENGTH	PEG 1	PEG 2	DESCRIPTION	PACKING
87715-9000	36	NYLON46	BLACK	PHOSPHOR BRONZE	GOLD FLASH	2.54	WITH	WITH	TOOLED	TRAY
87715-9002					15 MICROINCH					
87715-9005					15 MICROINCH					
87715-9006					30 MICROINCH					
87715-9009					30 MICROINCH					

MOLEX P/N	CIRCUIT SIZE	HOUSING MATERIAL	HOUSING COLOR	TERMINAL MATERIAL	CONTACT PLATING	SOLDER TAIL "D" LENGTH	PEG 1	PEG 2	DESCRIPTION	PACKING
87715-9300	164	NYLON46	BLACK	PHOSPHOR BRONZE	GOLD FLASH	2.54	WITH	WITH	TOOLED	TRAY
87715-9302					15 MICROINCH					
87715-9303					GOLD FLASH					
87715-9305					15 MICROINCH					
87715-9306					30 MICROINCH					
87715-9309	30 MICROINCH									

ADDED OPTION EC NO: SH2013-0300 2013/03/25 TDRW:RL109 CHKD: APPR:RZHANG 2013/06/19 REV	QUALITY SYMBOLS	GENERAL TOLERANCES (UNLESS SPECIFIED)	DIMENSION STYLE	SCALE	DESIGN UNITS	THIRD ANGLE PROJECTION	
	$F_A=0$	mm INCH	MM ONLY		METRIC		
	$F_G=0$	4 PLACES ± --- ± ---	DRAWN BY DATE	TITLE PCI EXPRESS EDGE CARD CONNECTOR (LEAD FREE VERSION) molex MATERIAL NO. DOCUMENT NO. SHEET NO. SEE TABLE SD-87715-901 4 OF 6			
	$F_C=0$	3 PLACES ± --- ± ---	CHECKED BY DATE				
	$F_D=0$	2 PLACES ± 0.25 ± ---	HARVEY 2007/05/14				
	1 PLACE ± 0.25 ± ---	APPROVED BY DATE					
	0 PLACE ± ±	JENNY CHEN 2007/05/14					
	ANGULAR ± 3 °	DRAFT WHERE APPLICABLE MUST REMAIN WITHIN DIMENSIONS	SIZE	THIS DRAWING CONTAINS INFORMATION THAT IS PROPRIETARY TO MOLEX INCORPORATED AND SHOULD NOT BE USED WITHOUT WRITTEN PERMISSION			
			A3				

THIS SHEET IS ONLY FOR 87715-0006

MOLEX PN	CIRCUIT SIZE	HOUSING MATERIAL	HOUSING COLOR	TERMINAL MATERIAL	CONTACT PLATING	SOLDER TAIL "D" LENGTH	PEG 1	PEG 2	DESCRIPTION	MYLAR FILM	PACKAGING
87715-0006	36	NYLON 46	BLACK	PHOSPHOR BRONZE	30 MICROINCH	2.54	WITH	WITH	TOOLED	WITH	TAPE & REEL PK-87715-006



ADDED OPTION EC NO: SH2013-0300 TDRW:RL109 2013/03/25 CHKD: APPR:RZHANG 2013/08/19	QUALITY SYMBOLS	GENERAL TOLERANCES (UNLESS SPECIFIED)	DIMENSION STYLE	SCALE	DESIGN UNITS	THIRD ANGLE PROJECTION																					
	$F_A=0$ $F_G=0$ $F_P=0$	<table border="1"> <thead> <tr> <th></th> <th>mm</th> <th>INCH</th> </tr> </thead> <tbody> <tr> <td>4 PLACES</td> <td>± ---</td> <td>± ---</td> </tr> <tr> <td>3 PLACES</td> <td>± ---</td> <td>± ---</td> </tr> <tr> <td>2 PLACES</td> <td>± 0.25</td> <td>± ---</td> </tr> <tr> <td>1 PLACE</td> <td>± 0.25</td> <td>± ---</td> </tr> <tr> <td>0 PLACE</td> <td>±</td> <td>±</td> </tr> </tbody> </table>		mm	INCH	4 PLACES	± ---	± ---	3 PLACES	± ---	± ---	2 PLACES	± 0.25	± ---	1 PLACE	± 0.25	± ---	0 PLACE	±	±	MM ONLY	1:1	METRIC				
		mm	INCH																								
	4 PLACES	± ---	± ---																								
3 PLACES	± ---	± ---																									
2 PLACES	± 0.25	± ---																									
1 PLACE	± 0.25	± ---																									
0 PLACE	±	±																									
<table border="1"> <thead> <tr> <th>REV</th> <th>DESCRIPTION</th> </tr> </thead> <tbody> <tr> <td>1</td> <td>ADDED OPTION</td> </tr> </tbody> </table>	REV	DESCRIPTION	1	ADDED OPTION	<table border="1"> <thead> <tr> <th>DRAWN BY</th> <th>DATE</th> <th>TITLE</th> </tr> </thead> <tbody> <tr> <td>DAVID HU</td> <td>2007/05/14</td> <td rowspan="3"> PCI EXPRESS EDGE CARD CONNECTOR (LEAD FREE VERSION) </td> </tr> <tr> <td>CHECKED BY</td> <td>DATE</td> </tr> <tr> <td>HARVEY</td> <td>2007/05/14</td> </tr> <tr> <td>APPROVED BY</td> <td>DATE</td> <td rowspan="2"> molex </td> </tr> <tr> <td>JENNY CHEN</td> <td>2007/05/14</td> </tr> </tbody> </table>	DRAWN BY	DATE	TITLE	DAVID HU	2007/05/14	PCI EXPRESS EDGE CARD CONNECTOR (LEAD FREE VERSION)	CHECKED BY	DATE	HARVEY	2007/05/14	APPROVED BY	DATE	molex	JENNY CHEN	2007/05/14	<table border="1"> <thead> <tr> <th>MATERIAL NO.</th> <th>DOCUMENT NO.</th> <th>SHEET NO.</th> </tr> </thead> <tbody> <tr> <td>SEE TABLE</td> <td>SD-87715-901</td> <td>5 OF 6</td> </tr> </tbody> </table>	MATERIAL NO.	DOCUMENT NO.	SHEET NO.	SEE TABLE	SD-87715-901	5 OF 6
REV	DESCRIPTION																										
1	ADDED OPTION																										
DRAWN BY	DATE	TITLE																									
DAVID HU	2007/05/14	PCI EXPRESS EDGE CARD CONNECTOR (LEAD FREE VERSION)																									
CHECKED BY	DATE																										
HARVEY	2007/05/14																										
APPROVED BY	DATE	molex																									
JENNY CHEN	2007/05/14																										
MATERIAL NO.	DOCUMENT NO.	SHEET NO.																									
SEE TABLE	SD-87715-901	5 OF 6																									
DRAFT WHERE APPLICABLE MUST REMAIN WITHIN DIMENSIONS		ANGULAR ± 3 °	THIS DRAWING CONTAINS INFORMATION THAT IS PROPRIETARY TO MOLEX INCORPORATED AND SHOULD NOT BE USED WITHOUT WRITTEN PERMISSION																								

THIS SHEET IS ONLY FOR 87715-0016

MOLEX PN	CIRCUIT SIZE	HOUSING MATERIAL	HOUSING COLOR	TERMINAL MATERIAL	CONTACT PLATING	SOLDER TAIL "D" LENGTH	PEG 1	PEG 2	DESCRIPTION	PACKAING
87715-0016	36	NYLON 46	BLACK	PHOSPHOR BRONZE	30 MICROINCH	2.54	WITH	WITH	TOOLED	TAPE & REEL PK-87715-016

ADDED OPTION EC NO: SH2013-0436 DRWNR: L109 CHKD: APPR:	2013/03/25	QUALITY SYMBOLS	GENERAL TOLERANCES (UNLESS SPECIFIED)		DIMENSION STYLE MM ONLY		SCALE 1:1	DESIGN UNITS METRIC	THIRD ANGLE PROJECTION			
		$\nabla_A = 0$ $\nabla_C = 0$ $\nabla_P = 0$		mm	INCH	DRAWN BY	DATE	TITLE PCI EXPRESS EDGE CARD CONNECTOR (LEAD FREE VERSION)				
			4 PLACES	± ---	± ---	DAVID HU	2007/05/14					
			3 PLACES	± ---	± ---	CHECKED BY	DATE	molex				
			2 PLACES	± 0.25	± ---	HARVEY	2007/05/14					
1 PLACE	± 0.25	± ---	APPROVED BY	DATE	DOCUMENT NO. SD-87715-901							
0 PLACE	±	±	JENNY CHEN	2007/05/14								
		ANGULAR ± 3°		MATERIAL NO.		SHEET NO.						
		DRAFT WHERE APPLICABLE		SEE TABLE		5 OF 6						
		MUST REMAIN WITHIN DIMENSIONS		SIZE A3		THIS DRAWING CONTAINS INFORMATION THAT IS PROPRIETARY TO MOLEX INCORPORATED AND SHOULD NOT BE USED WITHOUT WRITTEN PERMISSION						