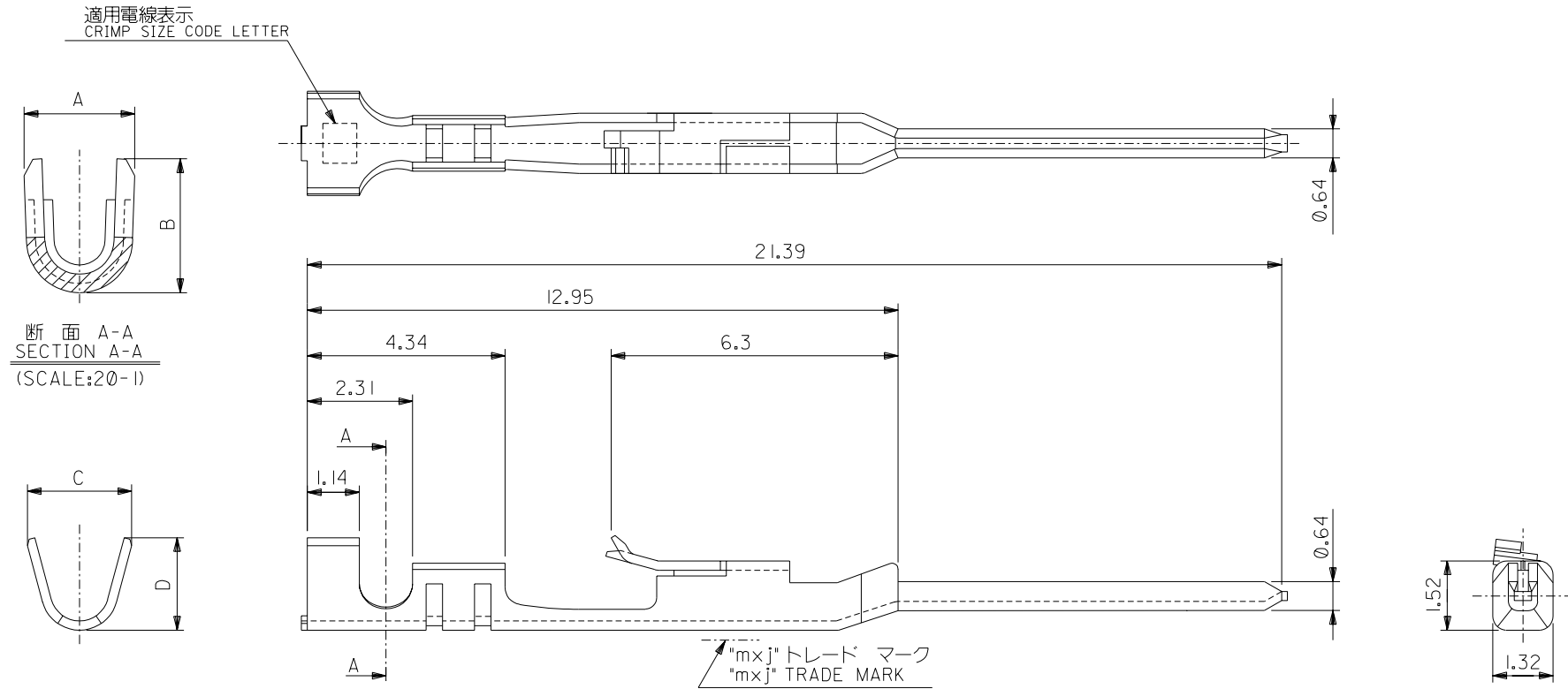


DIMENSIONS IN METRIC DO NOT SCALE DRAWING

ENG. NO. 0*04
SD-70021-0*21

EDP NO. #

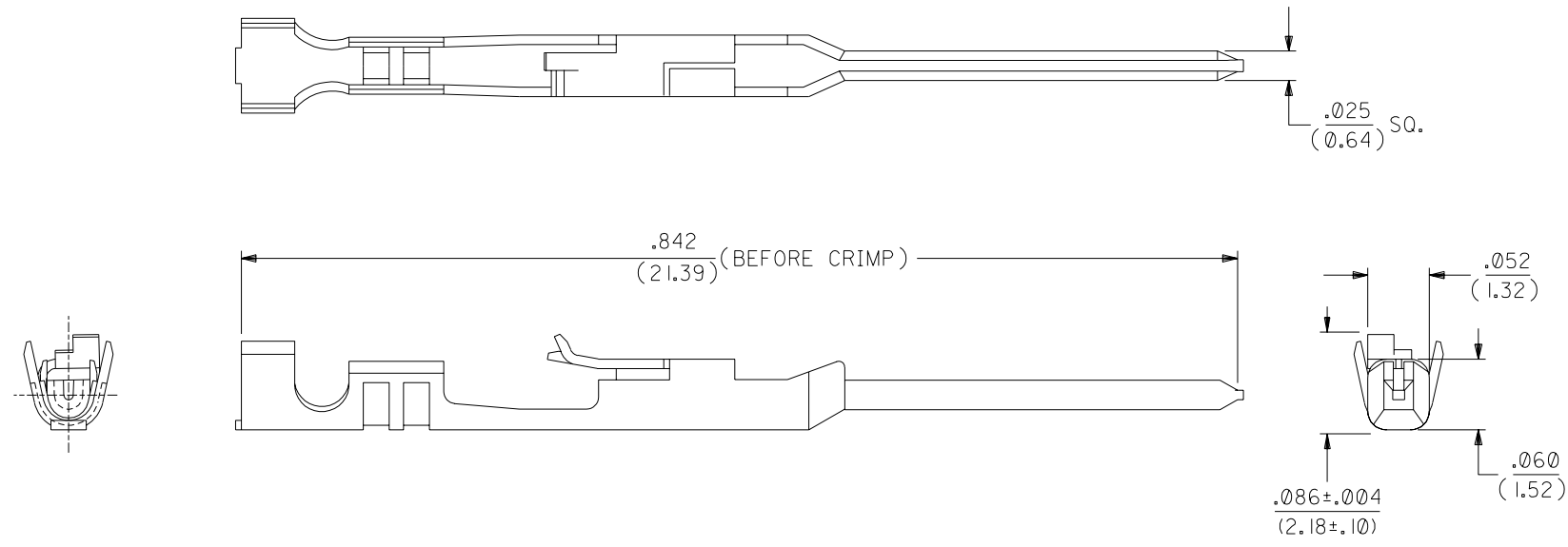


注記:
NOTES:

- 適合ハウジング: 70066-****, 70107-****
APPLICABLE HOUSING: 70066-****, 70107-****
- 仕上げ ニッケル下地、錫メッキ
FINISH TIN OVER NICKEL PLATING

1.91	2.1	1.47	1.22	A	φ 1.6 MAX.	AWG#24-#30	バラ状 LOOSE	70021-0204
1.91	2.1	1.65	1.84	C		AWG#22-#24	連鎖状 CHAIN	70021-0004
D	C	B	A	適用電線表示 CRIMP SIZE CODE LETTER	被覆外径 INS. RANGE	適用電線範囲 WIRE RANGE	端子形状 FORM	MATERIAL No.
				材料 MATERIAL	磷青銅 PHOSPHOR BRONZE	t 0.203	MOLEX-JAPAN CO.,LTD. 日本モレックス株式会社	
				仕上げ FINISH	注記参照 SEE NOTES		EDP. NO. #	
角度 ANGLE	+3°	B	変更 REVISED (J2004-4519)	Y.M.S	04/05/31	適用電線範囲 WIRE RANGE	表参照 SEE CHART	
30以上 OVER	+0.3	A	変更 REVISED (T20159)	H.I	19/5/20	被覆外径 INS. RANGE	表参照 SEE CHART	
10以上 OVER	+0.25	0	新規作成 RELEASED (T00110)	Y.M.S	19/4/6	DR. DATE	CHK'D BY A.A. M. 8/80	
10未満 UNDER	+0.2	記号 LTR	変更内容 REVISION RECORD	DR. CHK.	日付 DATE	APP'D BY S. Yamada	尺度 SCALE 10-1	
一般公差 GENERAL TOLERANCES	REVISE ONLY ON CAD SYSTEM							
TITLE 名称 SL MALE CRIMP TERMINAL -LEAD FREE-								

THIS DRAWING CONTAINS INFORMATION THAT IS PROPRIETARY TO MOLEX(JAPAN) AND SHOULD NOT BE USED WITHOUT WRITTEN PERMISSION
本図面は日本モレックス(株)の所有する情報を含むもので 当社の許可なく複製を禁止する。



NOTES:

1. TERMINAL FOR USE WITH HOUSING PART NO. 70066-**** & 70107-****.
2. MATERIAL: .008/(0.20) THK. PHOSPHOR BRONZE.
3. TERMINAL TO BE USED WITH 24-30 AWG STRANDED WIRE WITH .060 DIA. MAX. INSULATION.
4. REFER TO MOLEX OPERATIONAL AND SERVICE MANUAL FOR DETAILS.
5. REFER TO PRODUCT SPECIFICATION NO. PS-70021.
6. PARTS SUPPLIED IN REEL FORM.

PLATING:

.000150 MIN. TIN PLATE
OVER NICKEL PLATE.

*THE PRIMARY SHIPPING CARTON WILL BE LABELED "COMPLIANT TO RoHS DIRECTIVE 2002/95/EC AND ELV ANNEX II OF DIRECTIVE 2000/53/EC". CARTONS WITHOUT THIS LABEL MAY CONTAIN PRODUCT WITH LEAD.

D	LEAD FREE UCP2004-1769 RWHITE 04/03/12
C1	REVISED ECR #U80270 MCGRATH 97/07/31
C	164 PLATING WAS 102 PER ECR # U31149 08/16/93 REED
B	REDRAWN ON CAD PER E.C.R. #9509 11/10/86 WJF/MJM

MFG. SH.	REV.	LTR.	REVISIONS
----------	------	------	-----------

DIMENSIONS SHOWN (METRIC) INCH		▽ = 0 ▼ = 0		REVISE ONLY ON CAD SYSTEM	
UNLESS OTHERWISE SPECIFIED TOLERANCES: ANGULAR ± 1/2°					
		INCH		METRIC	
3 PLACE	± .010	---			
2 PLACE	± .015	± 0.25			
1 PLACE	---	± 0.35			
DRAFT WHERE APPLICABLE MUST REMAIN WITHIN DIMENSIONS					
TITLE		TERMINAL, MALE CRIMP			
MOLEX INCORPORATED LISLE, ILL. 60532 U.S.A.		SHEET NO. 1		DATE 10/30/86	
PART NO. 16-02-0105		DRWG. NO. SD-70021-0004			
DRWG. BY: WJF	CHK'D. BY: MJM	FILE NAME: S70021X3 DGN	THIS DRAWING CONTAINS INFORMATION THAT IS PROPRIETARY TO MOLEX INC. AND SHOULD NOT BE USED WITHOUT WRITTEN PERMISSION.		SIZE: DA B
APP'D. BY: WAZ	SCALE: 10:1			DIV. DA	