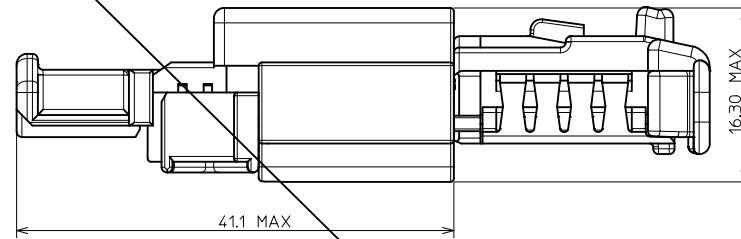
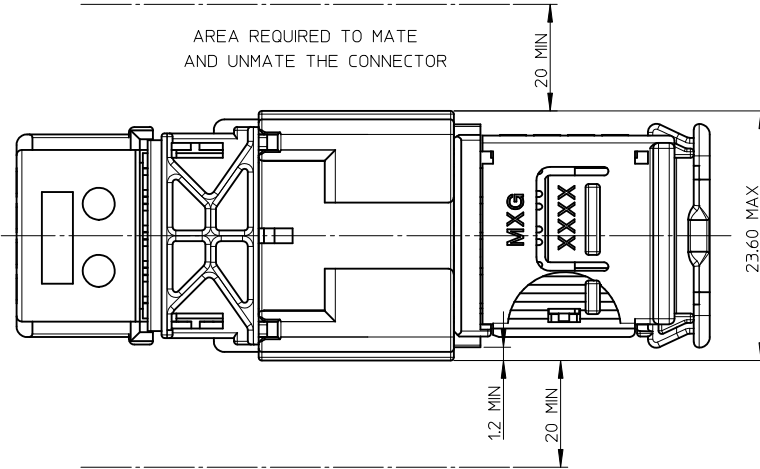


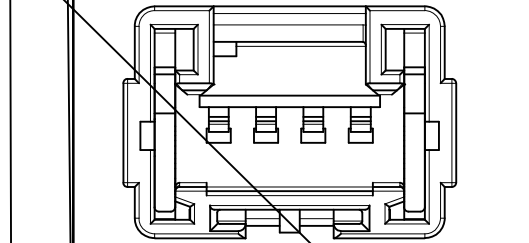
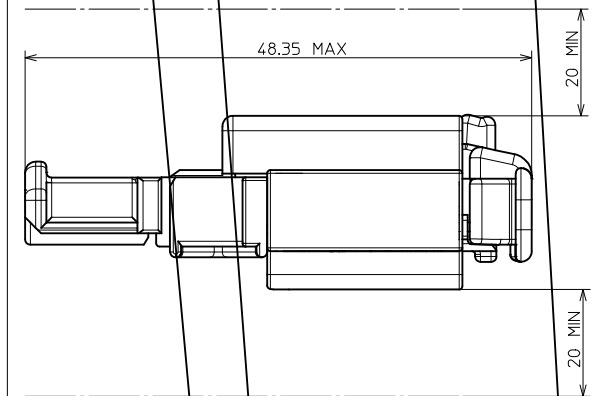
HANDLING AREA

AREA REQUIRED TO MATE
AND UNMATE THE CONNECTOR

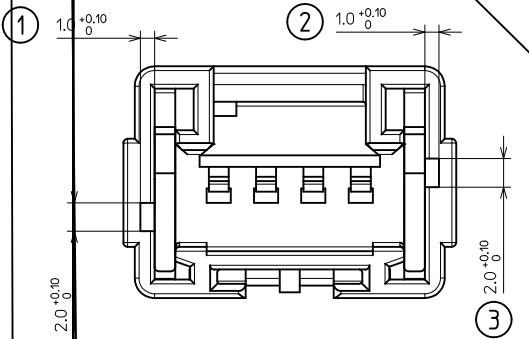


- NOTE : 1 - The using conditions are shown in the MOLEX specification n°AS-98821-001.
 2 - Male terminal used : SICMA 3 1.5mm
 3 - Male connector will mate with female connector P/N 098817104x

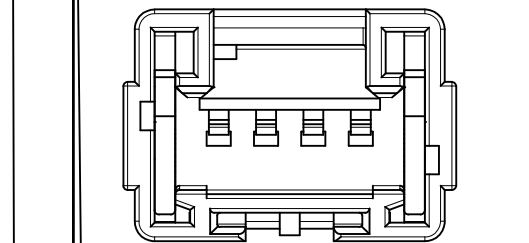
AREA REQUIRED WHEN THE CONNECTOR IS MATED



WHITE CODING
P/N 0988221040



BLACK CODING
P/N 0988221041



GREEN CODING
P/N 0988221045

CODING 4:1

QUALITY SYMBOLS	GENERAL TOLERANCES (UNLESS SPECIFIED)	
	mm	INCH
$\sqrt{\text{A}}=0$	4 PLACES ± ---	± ---
$\sqrt{\text{B}}=0$	3 PLACES ± ---	± ---
$\sqrt{\text{C}}=0$	2 PLACES ± ---	± ---
$\sqrt{\text{D}}=0$	1 PLACE ± 0.1	± ---
	ANGULAR ± 1°	

DRAFT WHERE APPLICABLE
MUST REMAIN
WITHIN DIMENSIONS

DRAWN BY	DATE	TITLE	FIRST ANGLE PROJECTION
CHECKED BY	DATE	NSSC PIN CONN 1.5 4KT	
APPROVED BY	DATE	MOLEX INCORPORATED	
MATERIAL NO.	DOCUMENT NO.		
SIZE	SHEET NO.		
A2 INCORPOR	1 OF 2		

