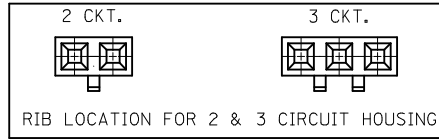
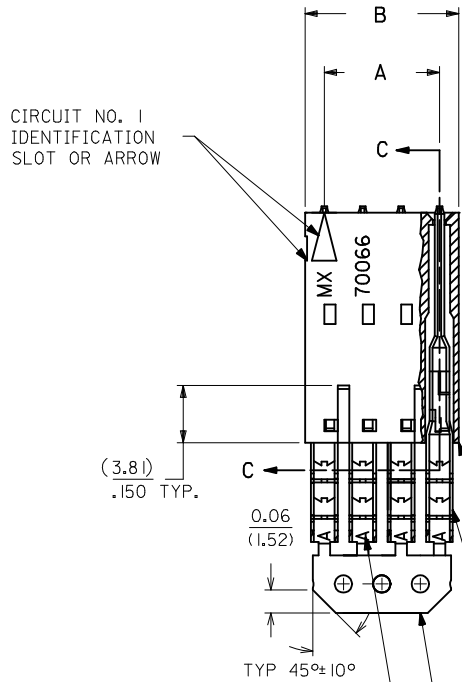
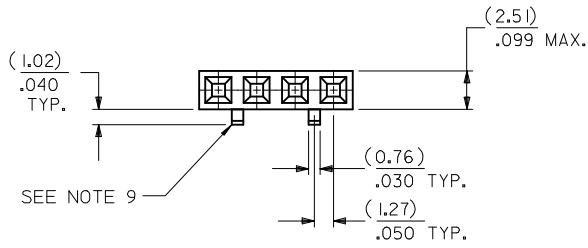
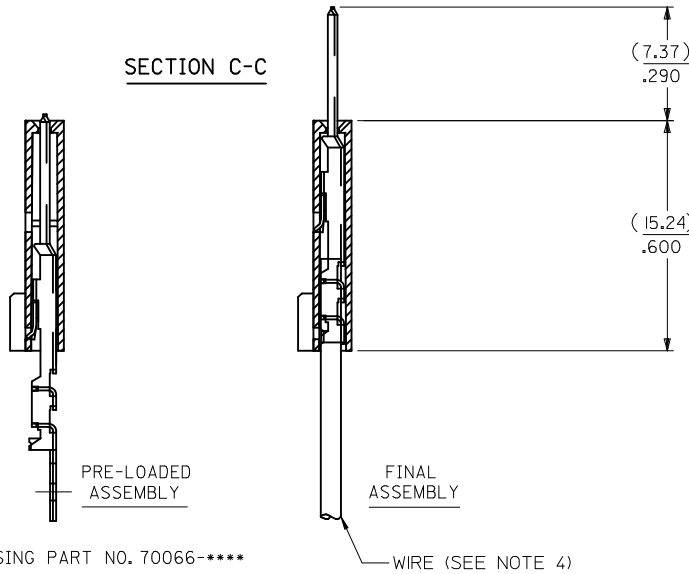


# OPTION D

- NOTES:
- MATERIAL: HOUSING - G.F. POLYESTER, 94V-0  
TERMINAL - PHOSPHOR BRONZE
  - FINISH: 3.81 MICROMETERS/150 MICROINCHES MINIMUM TIN OVER NICKEL UNDERPLATE OVER-ALL.
  - PRODUCT SPECIFICATION: PS-70400
  - TO BE USED WITH 24 AWG. STANDARD WIRE WITH 1.35/.053 DIAMETER MAXIMUM INSULATION.
  - SEE CHART FOR CIRCUIT SIZES.
  - STANDARD PACKAGING PER PK-70673-0001. OPTIONAL PACKAGING MAY BE AVAILABLE. REQUEST DRAWING PK-70475.
  - PARTS STACKABLE END TO END ON 2.54/.100 CENTERS
  - SEE DRAWING SDA-70457-\*\*\*\* (SHEET 3) FOR OPTIONAL HOUSING DETAILS.
  - 4 CIRCUIT SHOWN. 3-25 CIRCUITS HAVE 2 RIBS.
  - TO MATE WITH MOLEX PART NUMBERS: 70018-0000, 70022-\*\*\*\*, 70104-\*\*\*\*.
  - 2 CIRCUIT ASSEMBLIES SUPPLIED AS GROUPED PAIRS.



## SECTION C-C



HOUSING PART NO. 70066-\*\*\*\*  
TERMINAL PART NO. 70110-\*\*\*\*

CKT. SIZE	A	B	EDP. NO.	ENG. NO.
2	( 2.54 ) .100	( 5.05 ) .199	14-45-0202	A-70475-0071
3	( 5.08 ) .200	( 7.59 ) .299	14-45-0203	A-70475-0072
4	( 7.62 ) .300	( 10.13 ) .399	14-45-0204	A-70475-0073
5	( 10.16 ) .400	( 12.67 ) .499	14-45-0205	A-70475-0074
6	( 12.70 ) .500	( 15.21 ) .599	14-45-0206	A-70475-0075
7	( 15.24 ) .600	( 17.75 ) .699	14-45-0207	A-70475-0076
8	( 17.78 ) .700	( 20.29 ) .799	14-45-0208	A-70475-0077
9	( 20.32 ) .800	( 22.83 ) .899	14-45-0209	A-70475-0078
10	( 22.86 ) .900	( 25.37 ) .999	14-45-0210	A-70475-0079
11	( 25.54 ) 1.000	( 27.91 ) 1.099	14-45-0211	A-70475-0080
12	( 27.94 ) 1.100	( 30.45 ) 1.199	14-45-0212	A-70475-0081
13	( 30.48 ) 1.200	( 32.99 ) 1.299	14-45-0213	A-70475-0082
14	( 33.02 ) 1.300	( 35.53 ) 1.399	14-45-0214	A-70475-0083
15	( 35.56 ) 1.400	( 38.07 ) 1.499	14-45-0215	A-70475-0084
16	( 38.01 ) 1.500	( 40.61 ) 1.599	14-45-0216	A-70475-0085
17	( 40.64 ) 1.600	( 43.15 ) 1.699	14-45-0217	A-70475-0086
18	( 43.18 ) 1.700	( 45.69 ) 1.799	14-45-0218	A-70475-0087
19	( 45.72 ) 1.800	( 48.23 ) 1.899	14-45-0219	A-70475-0088
20	( 48.26 ) 1.900	( 50.77 ) 1.999	14-45-0220	A-70475-0089
21	( 50.80 ) 2.000	( 53.31 ) 2.099	14-45-0221	A-70475-0090
22	( 53.34 ) 2.100	( 55.85 ) 2.199	14-45-0222	A-70475-0091
23	( 55.88 ) 2.200	( 58.39 ) 2.299	14-45-0223	A-70475-0092
24	( 58.42 ) 2.300	( 60.93 ) 2.399	14-45-0224	A-70475-0093
25	( 60.96 ) 2.400	( 63.47 ) 2.499	14-45-0225	A-70475-0094

I.D. SLOT CODE TO WIRE GAUGE CHART	
I.D. SLOT CODE	WIRE GAUGE
A	24 AWG.

PLATING CODE (STRIPE ON CARRIER STRIP)	
PLATING	COLOR
TIN	NONE

ADD GEN TOLERANCES	EC NO:	DRWN:MSI	DATE	DESCRIPTION	REV
	UCP2011-3892	BARRA	2011/06/27		
		CHK:DMORGAN			
		APPR:SMILLER	2011/07/07		

QUALITY SYMBOLS		GENERAL TOLERANCES (UNLESS SPECIFIED)	
mm	INCH	mm	INCH
4 PLACES ± .010	± .0004	3 PLACES ± .010	± .0004
2 PLACES ± 0.25	± .010	1 PLACE ± 0.35	± .014
ANGULAR ± 1/2°			

DIMENSION STYLE		SCALE	DESIGN UNITS	THIRD ANGLE PROJECTION
MM/IN		4:1	INCH	
DRAWN BY	DATE	TITLE		
WAZ	10/13/1984	ASSEMBLY, SL CONNECTOR		
CHECKED BY	DATE	SINGLE ROW		
WAZ	10/13/1984	2.54/.100 GRID		
APPROVED BY	DATE	Molex MOLEX INCORPORATED		
RL	10/13/1984	DOCUMENT NO. SDA-70475-0071-0094		
MATERIAL NO.	SEE TABLE	SHEET NO. 1 OF 1		

DRAFT WHERE APPLICABLE MUST REMAIN WITHIN DIMENSIONS	
SIZE C	THIS DRAWING CONTAINS INFORMATION THAT IS PROPRIETARY TO MOLEX INCORPORATED AND SHOULD NOT BE USED WITHOUT WRITTEN PERMISSION