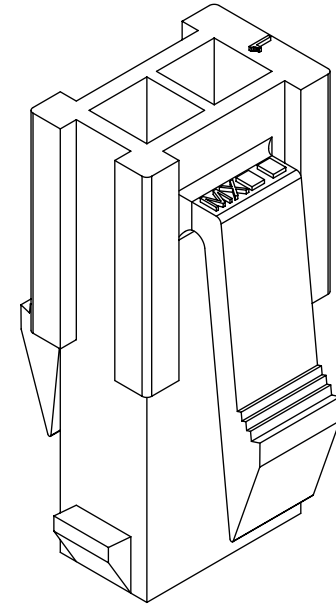
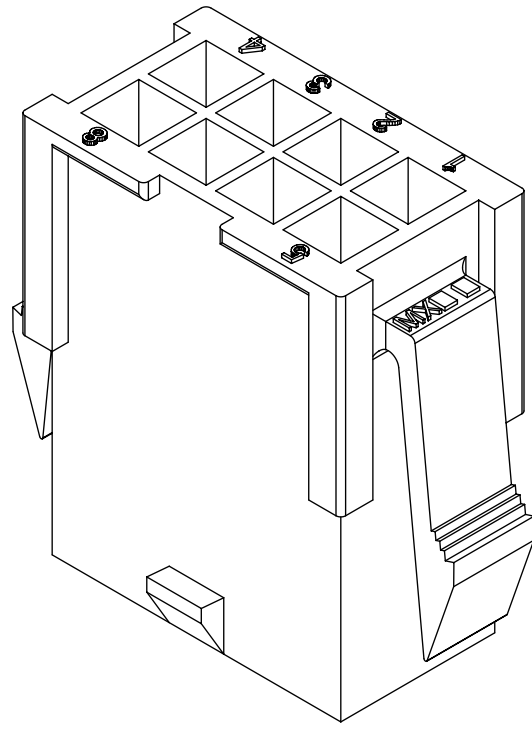
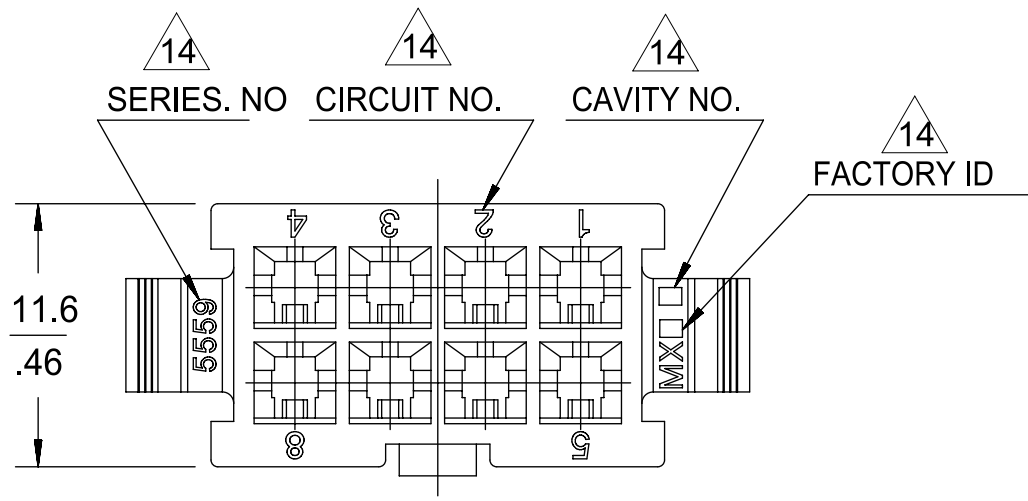
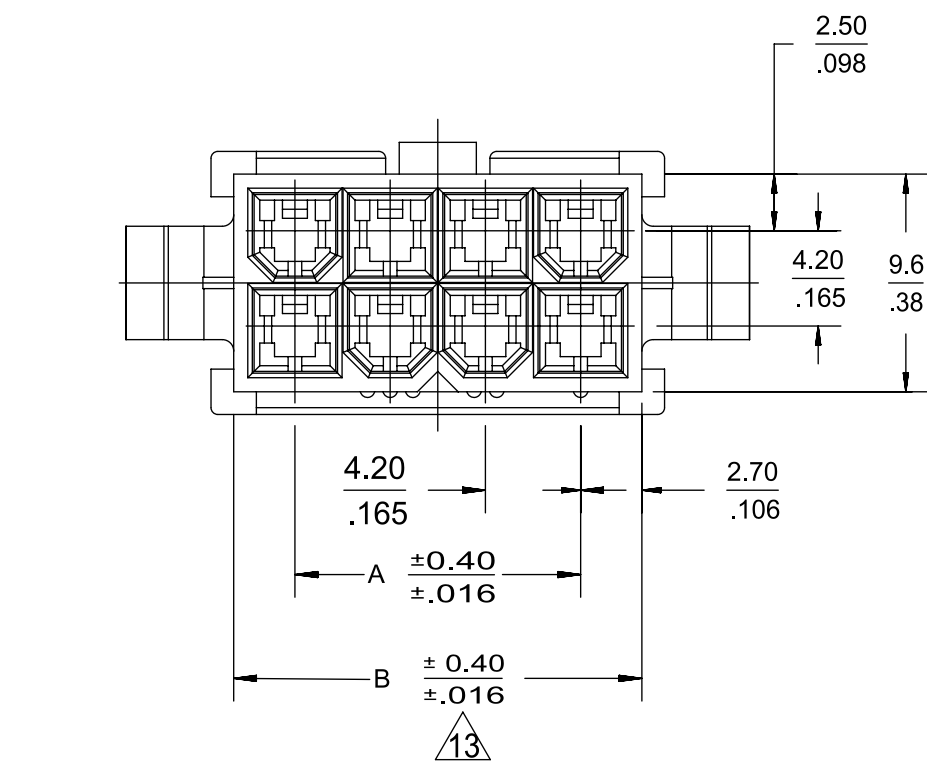
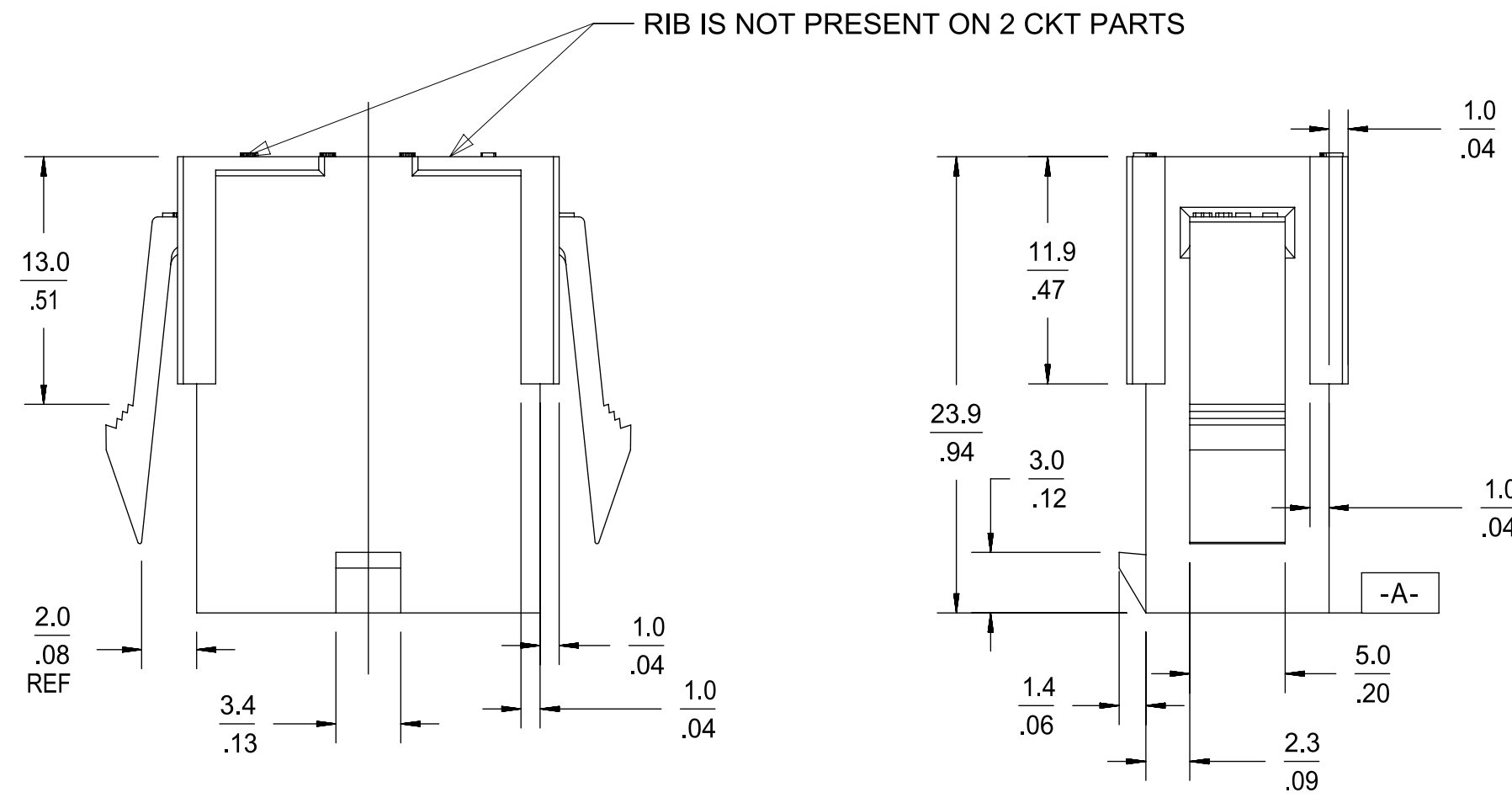


- NOTES:
- 1) MATERIAL:
 - "BLANK" = NYLON 6/6, 94V-2, COLOR: NATURAL.
 - "BL" = NYLON 6/6, 94V-2, COLOR: BLACK.
 - "BU" = NYLON 6/6, 94V-2, COLOR: BLUE.
 - "RE" = NYLON 6/6, 94V-2, COLOR: RED.
 - "210" = NYLON 6/6, 94V-0, COLOR: NATURAL.
 - "400" = NYLON 6/6, 94V-0, COLOR: BLACK.
 - 2) FINISH: NOT APPLICABLE
 - 3) PRODUCT SPECIFICATION: PS-5556-001
 - 4) PACKAGING: BULK
 - 5) PART MATES WITH MOLEX RECEPTACLE #5557.
 - 6) PART TO BE USED WITH MOLEX MALE TERMINAL #5558.
 - 7) PART IS NOT DESIGNED FOR CURRENT SHARING.
 - 8) CONNECTORS ARE NOT TO BE MATED OR UNMATED WHILE CIRCUITS ARE LIVE.
 - 9) WIRES ARE TO BE DRESSED IN SUCH A MANNER TO ALLOW THE TERMINALS TO FLOAT FREELY IN THE POCKET.
 - 10) PART CONFORMS TO CLASS "B" REQUIREMENTS OF COSMETIC SPECIFICATION PS-45499-002 WITH THE EXCEPTION OF DISCOLORATION, FLASH AND SINK MEET CLASS "C" REQUIREMENTS.
 - 11 ON 2 CIRCUITS PARTS THIS DIMENSION IS ALLOWABLE UP TO "D" DIMENSION.
 - 12 PANEL HOLE TO BE PUNCHED OUT IN THE SAME DIRECTION AS INSERTION INTO THE PANEL.
 - 13 TO BE MEASURED AT SURFACE -A-
 - 14 TEXT ON PART IS FOR REFERENCE ONLY. TEXT AND TEXT LOCATION MAY VARY DEPENDING ON PART NUMBER AND/OR TOOL.

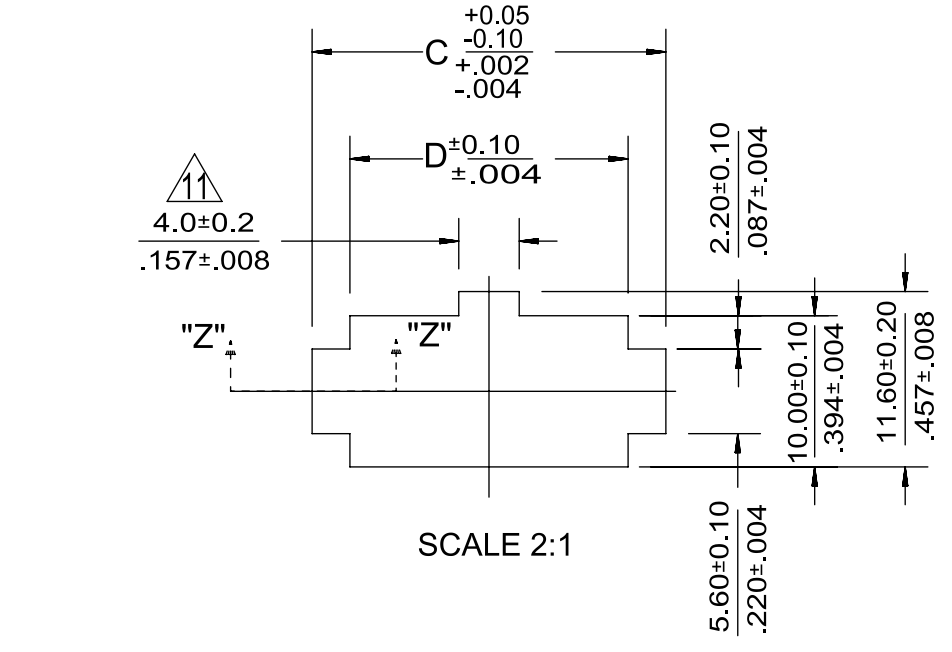
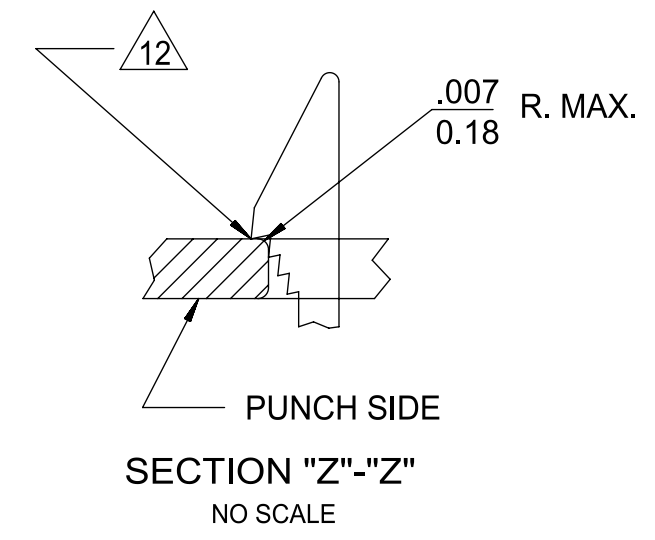
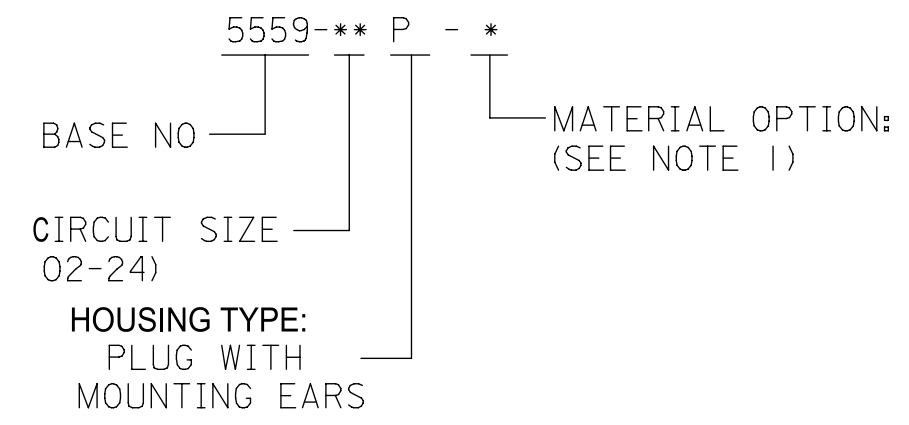


8 CKT SHOWN

2 CKT SHOWN



LEGEND



RECOMMENDED PANEL HOLE DIMENSIONS (THICKNESS : 0.8-2.0/.032-.079)

	D	C	B	A	CIRCUIT
52.1/2.051	57.0/2.244	51.6/2.031	46.2/1.819	24	
47.9/1.886	52.8/2.079	47.4/1.866	42.0/1.654	22	
43.7/1.720	48.6/1.913	43.2/1.701	37.8/1.488	20	
39.5/1.555	44.4/1.748	39.0/1.535	33.6/1.323	18	
35.3/1.390	40.2/1.583	34.8/1.370	29.4/1.158	16	
31.1/1.224	36.0/1.417	30.6/1.205	25.2/.992	14	
26.8/1.055	31.8/1.252	26.4/1.039	21.0/.827	12	
22.6/.890	27.6/1.087	22.2/.874	16.8/.661	10	
18.4/.724	23.4/.921	18.0/.709	12.6/.496	8	
14.2/.559	19.2/.756	13.8/.543	8.4/.331	6	
10.0/.394	15.0/.591	9.6/.378	4.2/.165	4	
5.8/.228	10.8/.425	5.4/.213	—	2	

QUALITY SYMBOLS ▽ = 0 ▽ = 0 ▽ = 0 ▽ = 0 ▽ = 0 ▽ = 0 ▽ = 0 ▽ = 0 ▽ = 0 ▽ = 0 ▽ = 0	THIS DRAWING CONTAINS INFORMATION THAT IS PROPRIETARY TO MOLEX ELECTRONIC TECHNOLOGIES, LLC AND SHOULD NOT BE USED WITHOUT WRITTEN PERMISSION	GENERAL TOLERANCES (UNLESS SPECIFIED) 4 PLACES ± ± 3 PLACES ± ± 0.012 2 PLACES ± 0.3 ± 0.016 1 PLACES ± 0.4 ± 0 PLACES ± ±	DIMENSION UNITS MM/IN DRWN BY: H.HIRAMOTO DATE: 1998/10/14 CHK'D BY: Y.YAMADA DATE: 1988/10/21 APPR BY: M.ENOMOTO DATE: 1988/10/24	 MINI. FIT JR DUAL ROW 2-24CKT PLUG HOUSING WITH EARS PRODUCT CUSTOMER DRAWING SERIES: 5559 MATERIAL NUMBER: SEE CHART CUSTOMER: GENERAL MARKET DOCUMENT NUMBER: SD-5559-NP DOC TYPE: PSD DOC PART: 000 SHEET NUMBER: 1 OF 2
		ANGULAR TOL ± 3.0 DRAFT WHERE APPLICABLE MUST REMAIN WITHIN DIMENSIONS	SCALE: 3:1 THIRD ANGLE PROJECTION	
		CONVERT TO NX EC NO: 106862 DRWN: CSLAFTER CHKD: JBELL REV APPR: FSMITH	DRAWING SIZE: C	
		J7		

H

H

G

G

F

F

E

E

D

D

C

C

B

B

A

A



+ V-2 BLACK +
 46999-0157 5559-24P-BL 46999-0304 5559-24P-400
 46999-0303
 46999-0301 5559-18P-400
 46999-0300
 46999-0299 5559-14P-400
 46999-0298 5559-12P-400
 46999-0297 5559-1
 5559-08P-400
 39-02-8065 5559-06P-BL 46999-0295 5559-06P-400
 39-02-8045 5559-04P-BL
 46999-0293

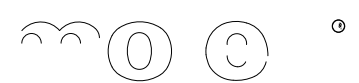
-20P-210
 -14P-210
 -10P-210
 -08P-210
 -06P-210
 -04P-210
 -02P-210

39-02-8046 5559-04P-BU

39-02-8067 5559-06P-RE

THIS DRAWING CONTAINS INFORMATION THAT IS PROPRIETARY TO MOLEX ELECTRONIC TECHNOLOGIES, LLC AND SHOULD NOT BE USED WITHOUT WRITTEN PERMISSION

QUALITY SYMBOLS	2016/06/16	2016/06/16	2016/06/27	GENERAL TOLERANCES (UNLESS SPECIFIED)	DIMENSION UNITS	SCALE	
= 0				MM INCH	MM/IN	3:1	
= 0				4 PLACES ± ±	DRWN BY	DATE	
= 0				3 PLACES ± ± 0.012	H.HIRAMOTO	1998/10/14	
= 0				2 PLACES ± 0.3 ± 0.016	CHK'D BY	DATE	
= 0				1 PLACES ± 0.4 ±	Y.YAMADA	1988/10/21	
= 0				0 PLACES ± ±	APPR BY	DATE	
= 0				ANGULAR TOL ± 3.0	M.ENOMOTO	1988/10/24	
= 0				DRAFT WHERE APPLICABLE MUST REMAIN WITHIN DIMENSIONS	DRAWING SIZE	THIRD ANGLE PROJECTION	
= 0					5559	SEE CHART	GENERAL MARKET
					DOCUMENT NUMBER	DOC TYPE	DOC PART SHEET NUMBER
					SD-5559-NP	PSD 000	2 OF 2



MINI. FIT JR DUAL ROW 2-24CKT PLUG HOUSING WITH EARS

PRODUCT CUSTOMER DRAWING

2