

CIRCUIT SIZE	DIM. "A"	DIM. "B"	DIM. "C"	DIM. "D"
6	.54 (13.8)	.33 (8.4)	.807 (20.50)	.945 (24.00)
8	.71 (18.0)	.50 (12.6)	.972 (24.70)	1.110 (28.20)
10	.87 (22.2)	.66 (16.8)	1.138 (28.90)	1.276 (32.40)
12	1.04 (26.4)	.83 (21.0)	1.303 (33.10)	1.441 (36.60)
14	1.20 (30.6)	.99 (25.2)	1.469 (37.30)	1.606 (40.80)
16	1.37 (34.8)	1.16 (29.4)	1.643 (41.50)	1.772 (45.00)
18	1.54 (39.0)	1.32 (33.6)	1.799 (45.70)	1.937 (49.20)
20	1.70 (43.2)	1.49 (37.8)	1.965 (49.90)	2.102 (53.40)
22	1.87 (47.4)	1.65 (42.0)	2.130 (54.10)	2.268 (57.60)
24	2.03 (51.6)	1.82 (46.2)	2.295 (58.30)	2.433 (61.80)

- NOTES:
- MATERIAL:
 - 1 = NYLON (PA6/6), UNFILLED, UL94 V-2, COLOR: NATURAL
 - 2 = NYLON (PA6/6), UNFILLED, UL94 V-0, COLOR: NATURAL (WHITE)
 - 3 = NYLON (PA6/6), UNFILLED, UL94 V-2, COLOR: BLACK
 - 4 = NYLON (PA6/6), UNFILLED, UL94 V-0, COLOR: BLACK
 - FINISH NOT APPLICABLE.
 - PRODUCT SPECIFICATION: PS-5556-002
 - PACKAGING SPECIFICATION: PK-42474-001
 - 6-24 CKT. PARTS MATE WITH MOLEX RECEPTACLES 5557, 42385 AND 42474. 2 AND 4 CKT. PARTS MATE WITH 42385 AND 42474 ONLY.
 - PART IS FOR USE WITH MALE TERMINAL #5558.
 - PART ALLOWS FOR UP TO .100/(2.54) MISALIGNMENT WITH MATING RECEPTACLE IN ANY DIRECTION. SEE MATING CONNECTOR DRAWINGS FOR SPECIFIC ALLOWANCES.
 - PANEL CUT-OUT TO BE PUNCHED IN THE SAME DIRECTION AS CONNECTOR INSERTION.
 - PART CONFORMS TO CLASS "B" REQUIREMENTS OF COSMETIC SPECIFICATION PS-45499-022.

- FOR MANUFACTURING EASE PARTS MAY HAVE OPTIONAL EJECTOR RIBS. SEE SHT. 3 FOR LOCATION.
- DIMENSION DOES NOT INCLUDE EJECTOR RIBS (SEE PAGE #3 FOR PARTS WITH RIBS, RIB DIMENSIONS AND LOCATION).
- IF THIS PRODUCT IS STORED IN AN ENVIRONMENT WITH A RELATIVE HUMIDITY OF LESS THAN 50%, MOISTURE MUST BE ADDED. REFER TO TECHNICAL ADVISORY AS-45499-001 FOR INSTRUCTIONS.
- INTERIOR RIB LOCATION MAY VARY.

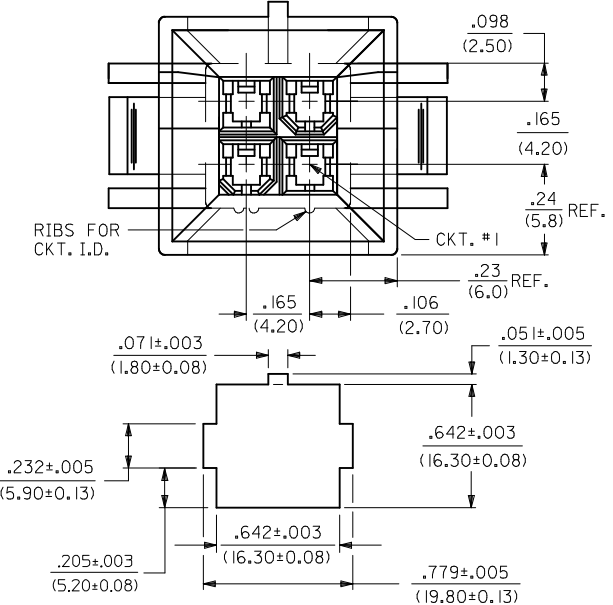
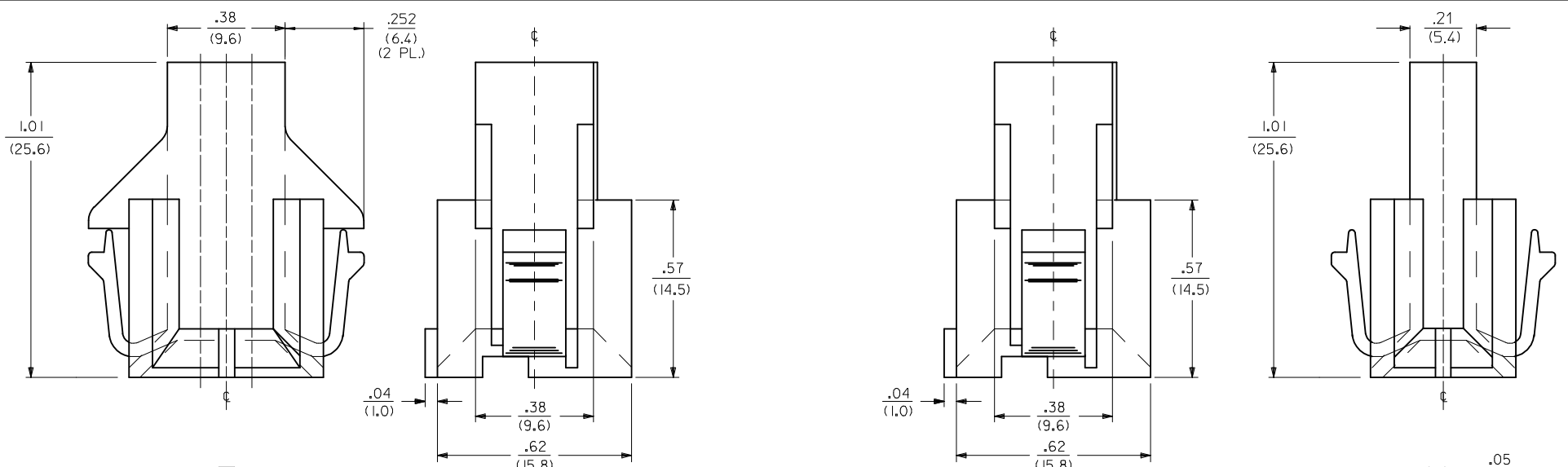
- CONNECTOR ASSEMBLIES ARE NOT TO BE MATED OR UNMATED WHILE CIRCUITS ARE LIVE.
- WIRES ARE TO BE DRESSED IN SUCH A MANNER TO ALLOW THE TERMINALS TO FLOAT FREELY IN THE POCKET.
- PARTS MAY HAVE OPTIONAL GUSSET

SECTION "A-A"
TERMINAL ORIENTATION

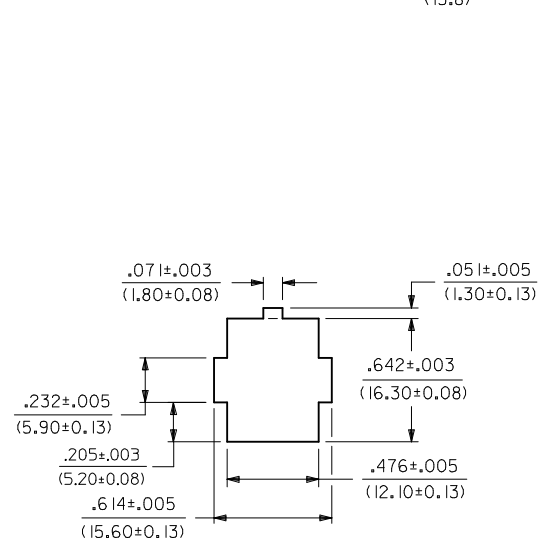
RECOMMENDED CUT-OUT FOR .063/(1.60)
MAX. THICK PANEL (6-24 CKT.'S.)
SCALE: 2X

SEE SHEET 2 FOR 2 & 4 CKT. PARTS

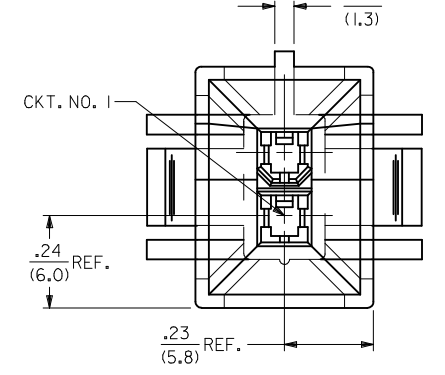
UPDATE 24CKT RIBS EC NO: UCP2016-2229 DRWN: MONT CHKD: BELL APPR: FSMITH 2015/12/03 2015/12/03 2015/12/17	QUALITY SYMBOLS ∇=0 ∇=0 ∇=0	GENERAL TOLERANCES (UNLESS SPECIFIED)		DIMENSION STYLE		SCALE	DESIGN UNITS	THIRD ANGLE PROJECTION			
				IN/MM		4:1	METRIC				
				DRAWN BY DATE		TITLE		PLUG HOUSING B.M.I. 2-24 CIRCUITS MINI-FIT SERIES MOLEX INCORPORATED			
				GEP 1989/07/18							
		CHECKED BY DATE				MATERIAL NO. DOCUMENT NO. SHEET NO. SD-42475-***1 1 OF 4					
		RJV 1989/07/18									
		APPROVED BY DATE				THIS DRAWING CONTAINS INFORMATION THAT IS PROPRIETARY TO MOLEX INCORPORATED AND SHOULD NOT BE USED WITHOUT WRITTEN PERMISSION					
		FSMITH 2011/09/02									
S13		DRAFT WHERE APPLICABLE MUST REMAIN WITHIN DIMENSIONS		SEE SHEET 4							



RECOMMENDED CUT-OUT FOR .063/(1.60)
 MAX. THICK PANEL (4 CKT'S.)
 SCALE: 2X
 4 CKT.

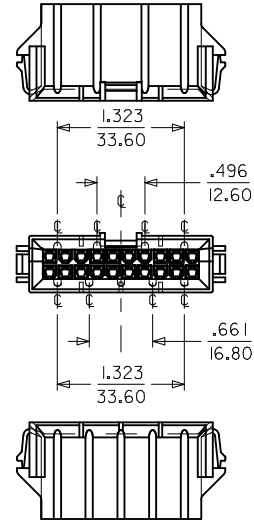


RECOMMENDED CUT-OUT FOR .063/(1.60)
 MAX. THICK PANEL #1 (2 CKT'S.)
 SCALE: 2X
 2 CKT.

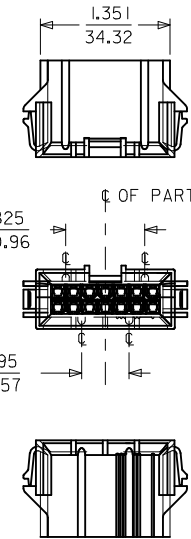


CKT. NO. 1
 .24 REF. (6.0)
 .23 REF. (5.8)

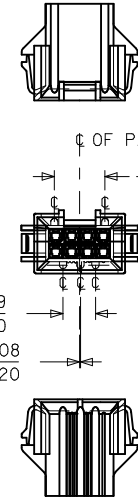
SEE SHEET 1 EC NO: UCP2016-2229 DRWN: JNONT 2015/12/03 CHKD: JBELL 2015/12/03 APPR: FSMITH 2015/12/17	QUALITY SYMBOLS	GENERAL TOLERANCES (UNLESS SPECIFIED)	DIMENSION STYLE	SCALE	DESIGN UNITS	THIRD ANGLE PROJECTION
	▽=0	mm INCH	IN/MM	4:1	METRIC	
	▽=0	4 PLACES ± --- ± ---	DRAWN BY DATE	TITLE	PLUG HOUSING B.M.I. 2-24 CIRCUITS MINI-FIT SERIES	
	▽=0	3 PLACES ± --- ± .010	CHECKED BY DATE	MOLEX INCORPORATED		
REV	DESCRIPTION	2 PLACES ± 0.25 ± .015	APPROVED BY DATE	DOCUMENT NO.	SD-42475-***1	
S13		1 PLACE ± 0.38 ± ---	FSMITH 2011/09/02	SIZE	THIS DRAWING CONTAINS INFORMATION THAT IS PROPRIETARY TO MOLEX INCORPORATED AND SHOULD NOT BE USED WITHOUT WRITTEN PERMISSION	
		ANGULAR ± 1/2°			SHEET NO.	2 OF 4
		DRAFT WHERE APPLICABLE MUST REMAIN WITHIN DIMENSIONS	SEE SHEET 4			



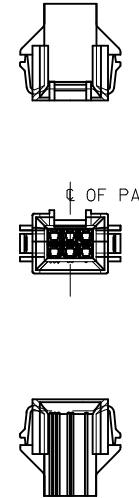
20 CIRCUIT



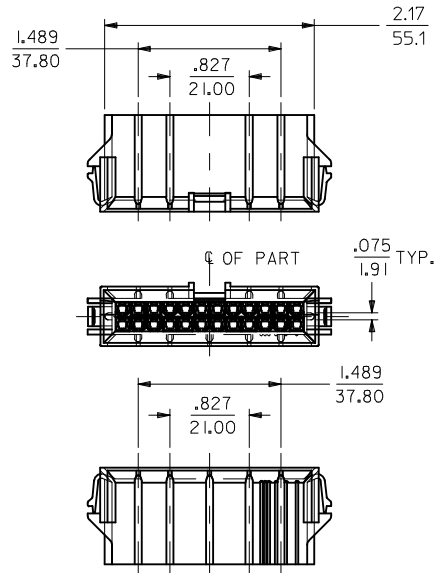
OR



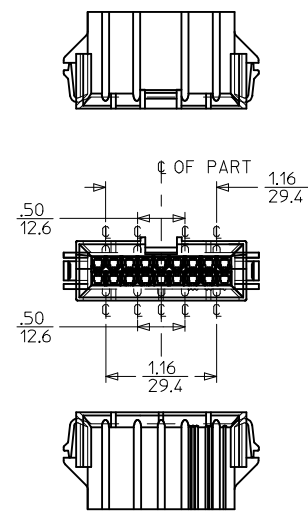
8 CIRCUIT



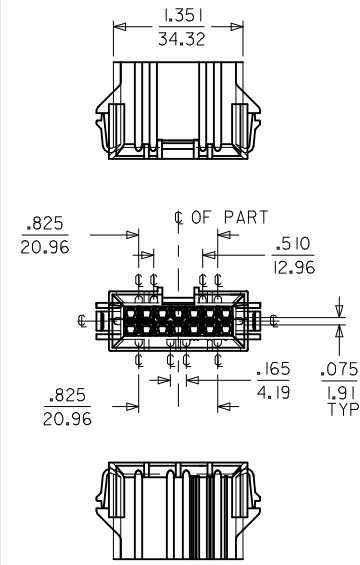
6 CIRCUIT



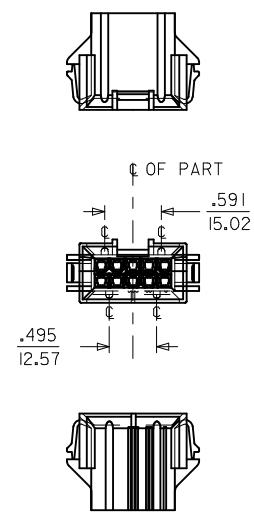
24 CIRCUIT



18 CIRCUIT



14 CIRCUIT



10 CIRCUIT

NOTES:

1) DIMENSIONS GIVEN ACROSS CENTERLINES ARE SYMMETRICAL ABOUT THOSE CENTERLINES WITHIN HALF THE TOTAL TOLERANCE.

SEE SHEET 1 EC NO: UCP2016-2229 DRWN: JNONT CHKD: JELL APPR: FSMITH	2015/12/03	QUALITY SYMBOLS ▽=0 ▽=0 ▽=0
	2015/12/03	
	2015/12/17	
	2015/12/17	

GENERAL TOLERANCES (UNLESS SPECIFIED)	
	mm INCH
4 PLACES ±	±
3 PLACES ±	±.010
2 PLACES ±	±.015
1 PLACE ±	±.038
ANGULAR ±1/2°	
DRAFT WHERE APPLICABLE MUST REMAIN WITHIN DIMENSIONS	

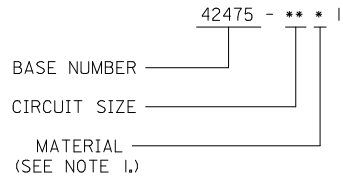
DIMENSION STYLE		SCALE		DESIGN UNITS	
IN/MM		1:1		METRIC	
DRAWN BY	DATE	TITLE	THIRD ANGLE PROJECTION		
GEP	1989/07/18	PLUG HOUSING B.M.I. 2-24 CIRCUITS MINI-FIT SERIES	MOLEX INCORPORATED		
CHECKED BY	DATE				
RJF	1989/07/18	MATERIAL NO. SD-42475-***1			
APPROVED BY	DATE	SHEET NO. 3 OF 4			
FSMITH	2011/09/02	THIS DRAWING CONTAINS INFORMATION THAT IS PROPRIETARY TO MOLEX INCORPORATED AND SHOULD NOT BE USED WITHOUT WRITTEN PERMISSION			

	13	12	11	10	9	8	7	6	5	4	3	2	1
	PART NUMBER	ENG. NUMBER	CKT. SIZE	MATERIAL (SEE NOTE 1.)		PART NUMBER	CKT. SIZE	MATERIAL (SEE NOTE 1.)					
J	NOT TOOLED	42475-0211	2	1		NOT TOOLED	2	3					
	15-06-0045	42475-0411	4	↑		42475-0431	4	↑					
	15-06-0065	42475-0611	6			42475-0631	6						
	15-06-0085	42475-0811	8			42475-0831	8						
I	15-06-0105	42475-1011	10			42475-1031	10						
	NOT TOOLED	42475-1211	12			NOT TOOLED	12						
	15-06-0145	42475-1411	14			42475-1431	14						
	NOT TOOLED	42475-1611	16			NOT TOOLED	16						
H	15-06-0185	42475-1811	18			42475-1831	18						
O	15-06-0205	42475-2011	20			O 42475-2031	20						
	NOT TOOLED	42475-2211	22	↓		NOT TOOLED	22	↓					
	15-06-0245	42475-2411	24	1		42475-2431	24	3					
G													
	NOT TOOLED	42475-0221	2	2		NOT TOOLED	2	4					
	15-06-0046	42475-0421	4	↑		42475-0441	4	↑					
	15-06-0066	42475-0621	6			42475-0641	6						
F	50-36-2323	42475-0821	8			42475-0841	8						
	15-06-0106	42475-1021	10			42475-1041	10						
	NOT TOOLED	42475-1221	12			NOT TOOLED	12						
	15-06-0146	42475-1421	14			42475-1441	14						
E	NOT TOOLED	42475-1621	16			NOT TOOLED	16						
	15-06-0186	42475-1821	18			42475-1841	18						
O	15-06-0206	42475-2021	20			O 42475-2041	20						
	NOT TOOLED	42475-2221	22	↓		NOT TOOLED	22	↓					
D	15-06-0246	42475-2421	24	2		42475-2441	24	4					

O = OBSOLETE

O = OBSOLETE

LEGEND:



SEE SHEET 1 EC NO: UCP2016-2229 DRWN: JNONT 2015/12/03 CHKD: JBEL 2015/12/03 APPR: FSMITH 2015/12/17	QUALITY SYMBOLS	GENERAL TOLERANCES (UNLESS SPECIFIED)		DIMENSION STYLE IN/MM		SCALE 1:1	DESIGN UNITS METRIC	THIRD ANGLE PROJECTION	
	▽=0	mm	INCH	DRAWN BY	DATE	TITLE PLUG HOUSING B.M.I. 2-24 CIRCUITS MINI-FIT SERIES			
	▽=0	4 PLACES ± ---	± ---	GEP	1989/07/18				
	▽=0	3 PLACES ± ---	± .010	CHECKED BY	DATE				
		2 PLACES ± 0.25	± .015	RJF	1989/07/18	APPROVED BY FSMITH 2011/09/02 MOLEX INCORPORATED			
		1 PLACE ± 0.38	± ---						
		ANGULAR ±1/2°		MATERIAL NO.		DOCUMENT NO.		SHEET NO.	
		DRAFT WHERE APPLICABLE MUST REMAIN WITHIN DIMENSIONS		SEE CHART		SD-42475-***1		4 OF 4	
		THIS DRAWING CONTAINS INFORMATION THAT IS PROPRIETARY TO MOLEX INCORPORATED AND SHOULD NOT BE USED WITHOUT WRITTEN PERMISSION							