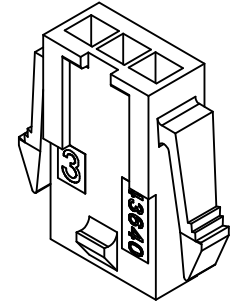


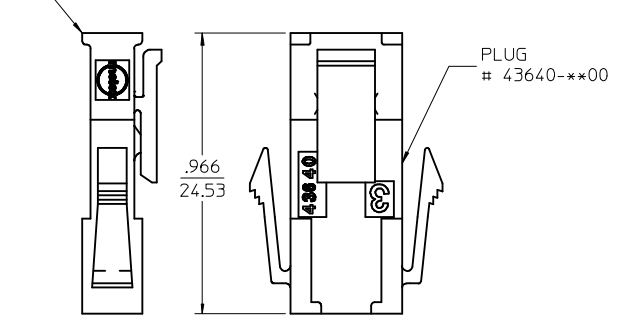
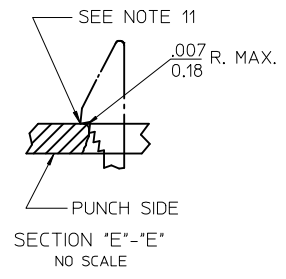
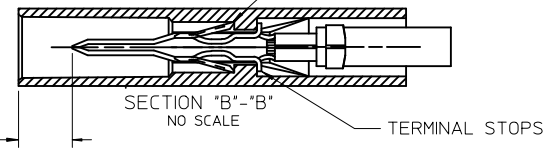
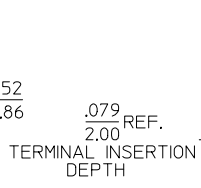
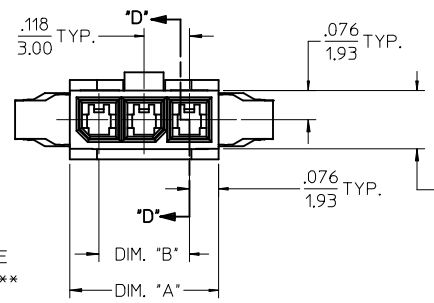
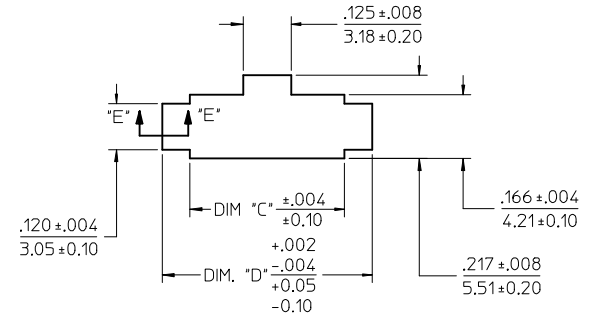
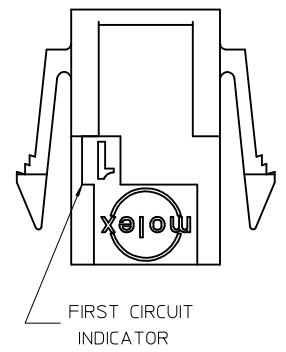
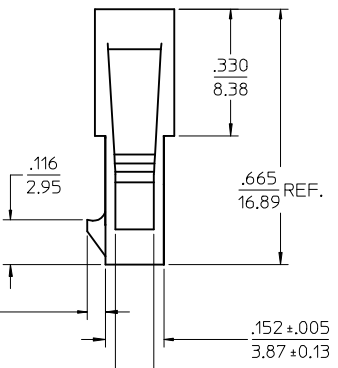
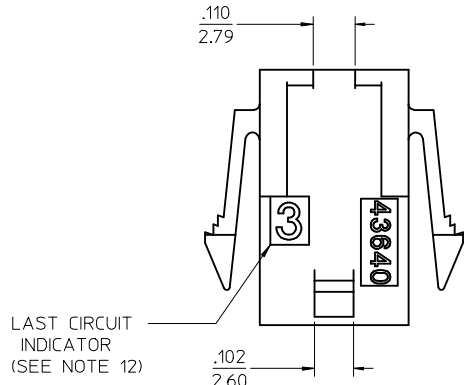
ASSEMBLY ITEM NUMBER	PART CHARACTERISTICS NUMBER OF POSITION
43640-0200	02
43640-0300	03
43640-0400	04
43640-0500	05
43640-0600	06
43640-0700	07
43640-0800	08
43640-0900	09
43640-1000	10
43640-1100	11
43640-1200	12

CKT. NO.	DIM. "A"	DIM. "B"	DIM. "C"	DIM. "D"
2	.270/6.85	.118/3.00	.284/7.21	.429/10.90
3	.388/9.85	.236/6.00	.402/10.21	.547/13.89
4	.506/12.85	.354/9.00	.520/13.21	.665/16.89
5	.624/15.85	.472/12.00	.638/16.21	.783/19.89
6	.742/18.85	.591/15.00	.756/19.21	.901/22.89
7	.860/21.85	.709/18.00	.874/22.20	1.019/25.88
8	.978/24.85	.827/21.00	.992/25.20	1.137/28.88
9	1.096/27.85	.945/24.00	1.110/28.20	1.255/31.88
10	1.215/30.85	1.063/27.00	1.229/31.22	1.373/34.87
11	1.333/33.85	1.181/30.00	1.347/34.22	1.491/37.87
12	1.451/36.85	1.299/33.00	1.465/37.22	1.609/40.87

- NOTES:
- HOUSING MATERIAL: UNFILLED NYLON, RATED UL94V-0 COLOR IS BLACK, (HALOGEN-FREE)
  - FINISH: NONE
  - PRODUCT SPECIFICATION: PS-43650
  - PACKAGING SPECIFICATION: PK-43640-003
  - THIS HOUSING MATES WITH MICRO-FIT RECEPTACLE #43645-\*\*\*\*.
  - THIS HOUSING IS DESIGNED IN METRIC
  - THIS HOUSING TO BE USED WITH MOLEX MALE TERMINAL #43031-\*\*\*\*.
  - PLUG DESIGNED FOR .062/1.57 TO .090/2.30 THICK STAMPED PANEL OR PRINTED CIRCUIT BOARD.
  - SEE SECTION "D"- "D" FOR TERMINAL ORIENTATION IN HOUSING.
  - SEE SHEET 2 FOR PLUG WITHOUT PANEL MOUNTS.
  - PANEL MOUNT FEATURES MUST LOCK ON SIDE OPPOSITE PUNCH SIDE FOR OPTIMUM RETENTION.
  - LAST CIRCUIT INDICATOR IS NOT PRESENT ON 2 CIRCUIT HOUSING.
  - THIS PART CONFORMS TO CLASS B REQUIREMENTS OF COSMETIC SPECIFICATION PS-45499-002.



PLUG WITH PANEL MOUNTS



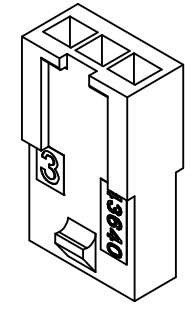
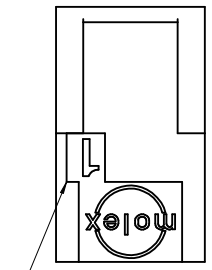
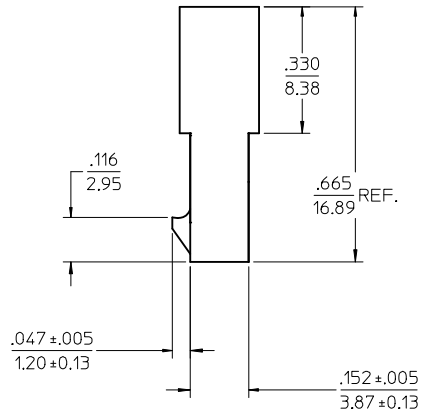
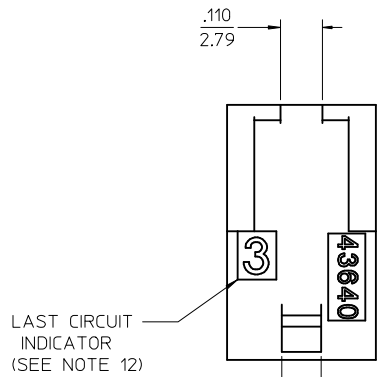
<b>TERMINAL GEOMETRY</b> EC NO: UCP2015-4271 DRWIN: DFOX 2015/04/15 CHKD: SSOUSEK 2015/04/15 APPR: FSM/TH 2015/05/08	<b>QUALITY SYMBOLS</b> ▽=0 ▽=0 ▽=0	<b>GENERAL TOLERANCES (UNLESS SPECIFIED)</b> <table border="1"> <thead> <tr> <th></th> <th>mm</th> <th>INCH</th> </tr> </thead> <tbody> <tr><td>4 PLACES</td><td>± .10</td><td>± .004</td></tr> <tr><td>3 PLACES</td><td>± .15</td><td>± .005</td></tr> <tr><td>2 PLACES</td><td>± .25</td><td>± .010</td></tr> <tr><td>1 PLACE</td><td>± .35</td><td>± .015</td></tr> <tr><td>0 PLACE</td><td>±</td><td>±</td></tr> </tbody> </table>		mm	INCH	4 PLACES	± .10	± .004	3 PLACES	± .15	± .005	2 PLACES	± .25	± .010	1 PLACE	± .35	± .015	0 PLACE	±	±	DIMENSION STYLE <b>IN/MM</b>	SCALE <b>4:1</b>	DESIGN UNITS <b>METRIC</b>	THIRD ANGLE PROJECTION
				mm	INCH																			
4 PLACES	± .10	± .004																						
3 PLACES	± .15	± .005																						
2 PLACES	± .25	± .010																						
1 PLACE	± .35	± .015																						
0 PLACE	±	±																						
MATERIAL NO. <b>SEE CHART</b>	DOCUMENT NO. <b>SD-43640-****</b>	SHEET NO. <b>1 OF 2</b>																						

ANGULAR ± 5 °

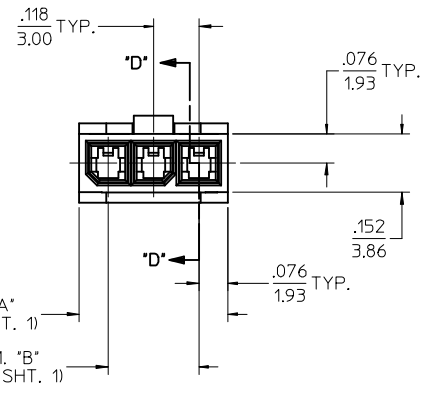
DRAFT WHERE APPLICABLE MUST REMAIN WITHIN DIMENSIONS

THIS DRAWING CONTAINS INFORMATION THAT IS PROPRIETARY TO MOLEX INCORPORATED AND SHOULD NOT BE USED WITHOUT WRITTEN PERMISSION

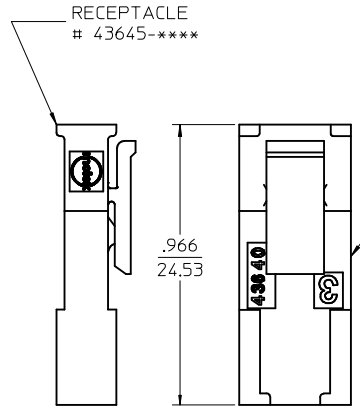
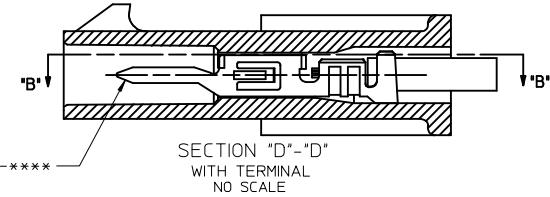
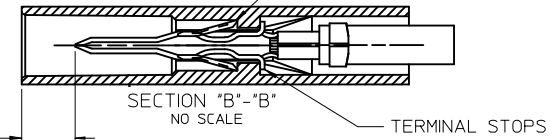
ASSEMBLY ITEM NUMBER	PART CHARACTERISTICS NUMBER OF POSITION
43640-0201	02
43640-0301	03
43640-0401	04
43640-0501	05
43640-0601	06
43640-0701	07
43640-0801	08
43640-0901	09
43640-1001	10
43640-1101	11
43640-1201	12



PLUG WITHOUT PANEL MOUNTS



TERMINAL LOCKING TABS MUST BE FULLY SEATED TO HOUSING BEFORE MATING WITH OTHER HALF OF CONNECTOR SYSTEM.



MATED MICRO-FIT CONNECTOR

REV	DESCRIPTION	QUALITY SYMBOLS	GENERAL TOLERANCES (UNLESS SPECIFIED)		DIMENSION STYLE IN/MM	SCALE 4:1	DESIGN UNITS METRIC	THIRD ANGLE PROJECTION
			mm	INCH				
F5	TERMINAL GEOMETRY EC NO: UCP2015-4271 DRWN: DFOX 2015/04/15 CHKD: SSOUSEK 2015/04/15 APPR: FSMITH 2015/05/08	▽=0 ▽=0 ▽=0	4 PLACES ± .010	± .010	DRAWN BY AFG	DATE 1996/01/19	MICRO-FIT (3.0) IN-LINE 2 THRU 12 CIRCUIT PLUG W/ OPTIONAL PANEL MOUNTS <b>molex</b> DOCUMENT NO. SD-43640-**** SHEET NO. 2 OF 2	
			3 PLACES ± .010	± .010	CHECKED BY BAP	DATE 1996/01/19		
			2 PLACES ± 0.25	± .014	APPROVED BY RJF	DATE 1996/01/19		
			1 PLACE ± 0.35	± .014	MATERIAL NO. SEE CHART			
			0 PLACE ±	±	ANGULAR ± 5 °		THIS DRAWING CONTAINS INFORMATION THAT IS PROPRIETARY TO MOLEX INCORPORATED AND SHOULD NOT BE USED WITHOUT WRITTEN PERMISSION	