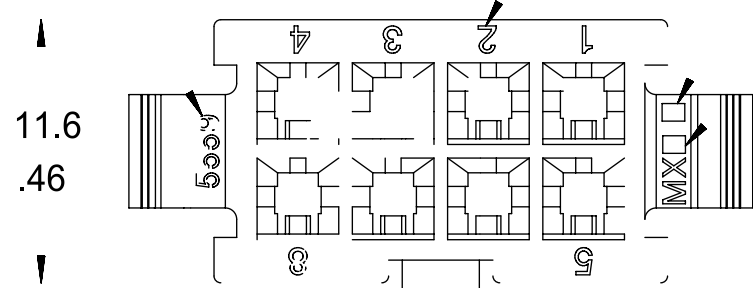
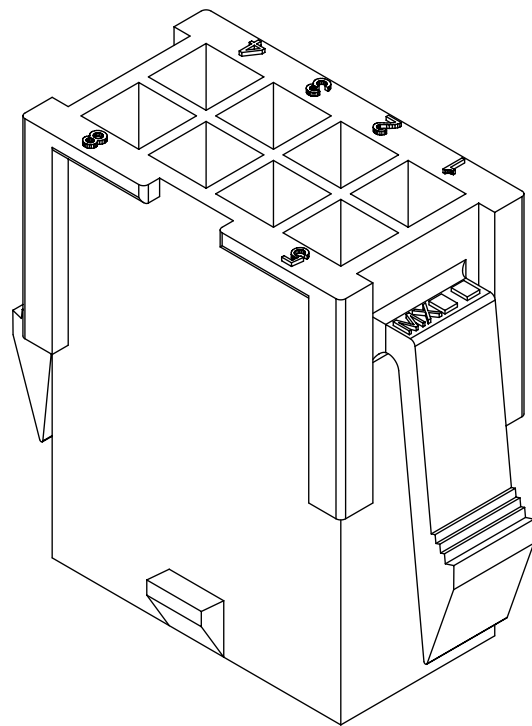


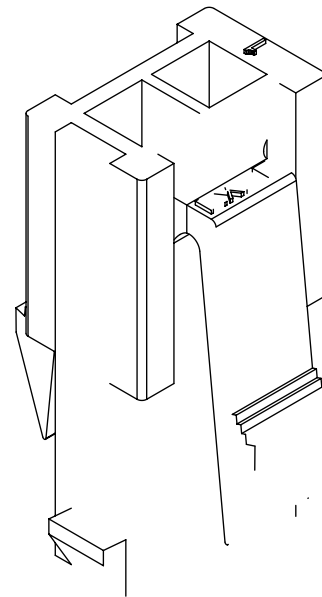
14 14 14
 SERIES. NO CIRCUIT NO. CAVITY NO.



14
 FACTORY ID



8 CKT SHOWN



2 CKT SHOWN

NOTES:

1) MATERIAL:

- "BLANK" = NYLON 6/6, 94V-2, COLOR: NATURAL.
- "BL" = NYLON 6/6, 94V-2, COLOR: BLACK.
- "BU" = NYLON 6/6, 94V-2, COLOR: BLUE.
- "RE" = NYLON 6/6, 94V-2, COLOR: RED.
- "210" = NYLON 6/6, 94V-0, COLOR: NATURAL.
- "400" = NYLON 6/6, 94V-0, COLOR: BLACK.

2) FINISH: NOT APPLICABLE

3) PRODUCT SPECIFICATION: PS-5556-001

4) PACKAGING: BULK

5) PART MATES WITH MOLEX RECEPTACLE #5557.

6) PART TO BE USED WITH MOLEX MALE TERMINAL #5558.

7) PART IS NOT DESIGNED FOR CURRENT SHARING.

8) CONNECTORS ARE NOT TO BE MATED OR UNMATED WHILE CIRCUITS ARE LIVE.

9) WIRES ARE TO BE DRESSED IN SUCH A MANNER TO ALLOW THE TERMINALS TO FLOAT FREELY IN THE POCKET.

10) PART CONFORMS TO CLASS "B" REQUIREMENTS OF COSMETIC SPECIFICATION PS-45499-002 WITH THE EXCEPTION OF DISCOLORATION, FLASH AND SINK MEET CLASS "C" REQUIREMENTS.

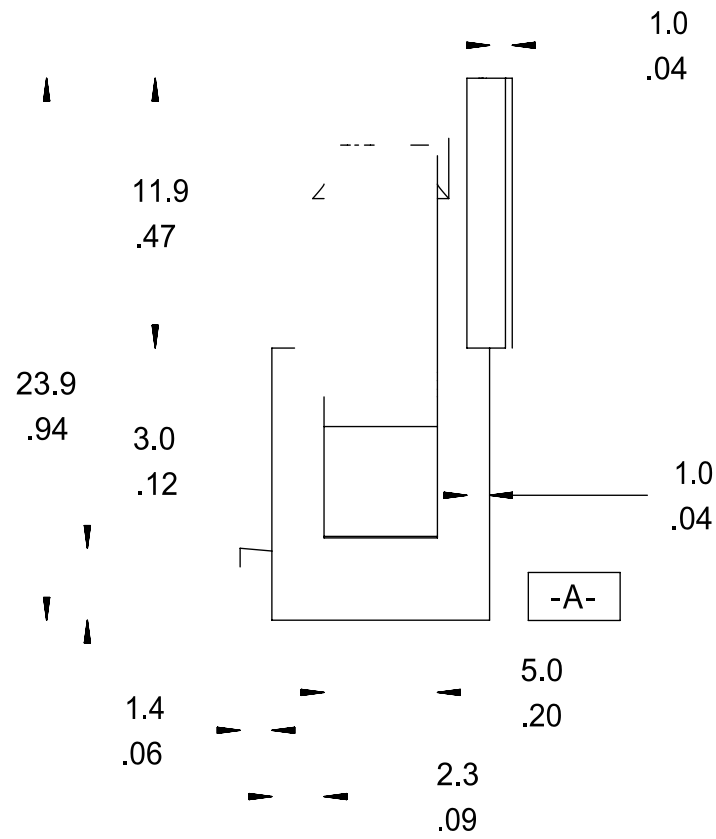
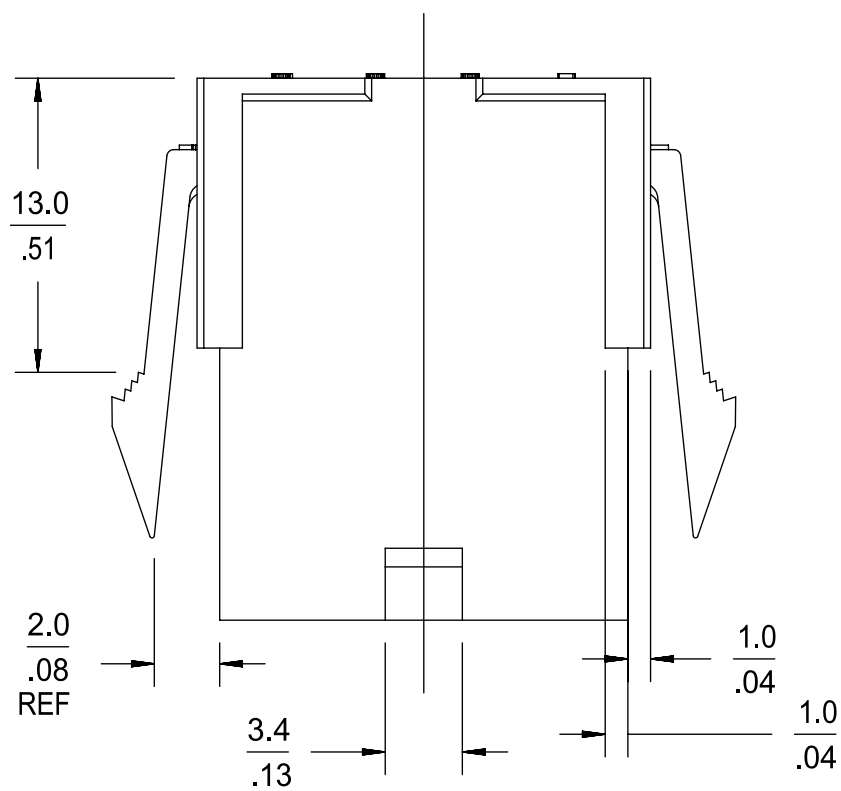
11) ON 2 CIRCUITS PARTS THIS DIMENSION IS ALLOWABLE UP TO "D" DIMENSION.

12) PANEL HOLE TO BE PUNCHED OUT IN THE SAME DIRECTION AS INSERTION INTO THE PANEL.

13) TO BE MEASURED AT SURFACE -A-

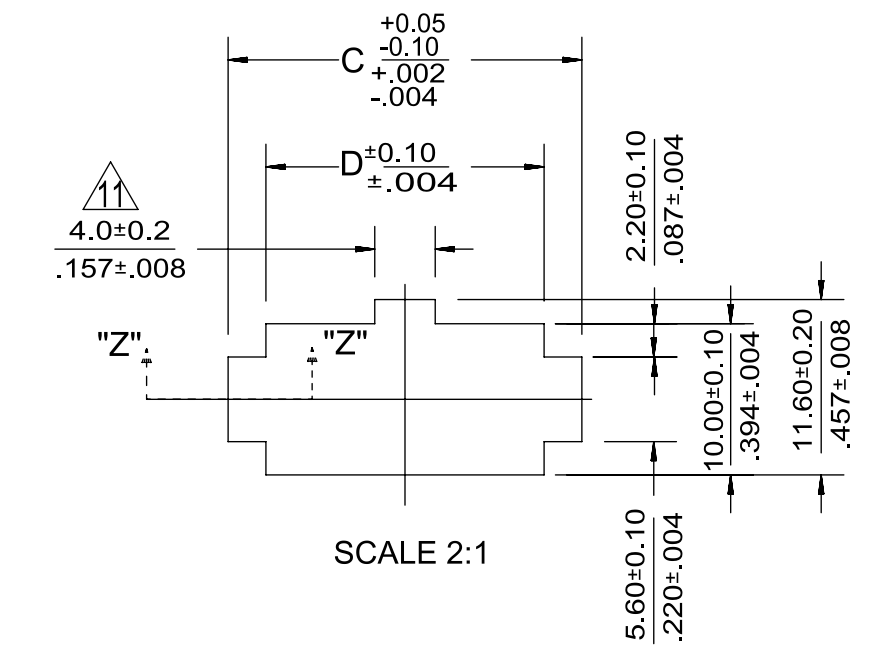
14) TEXT ON PART IS FOR REFERENCE ONLY. TEXT AND TEXT LOCATION MAY VARY DEPENDING ON PART NUMBER AND/OR TOOL.

RIB IS NOT PRESENT ON 2 CKT PARTS



LEGEND

5559-*** P - *
 BASE NO MATERIAL (SEE NOTE 1)
 CIRCUIT SIZE (-24)
 HOUSING TYPE:
 ITH
 CLUTTING EARS



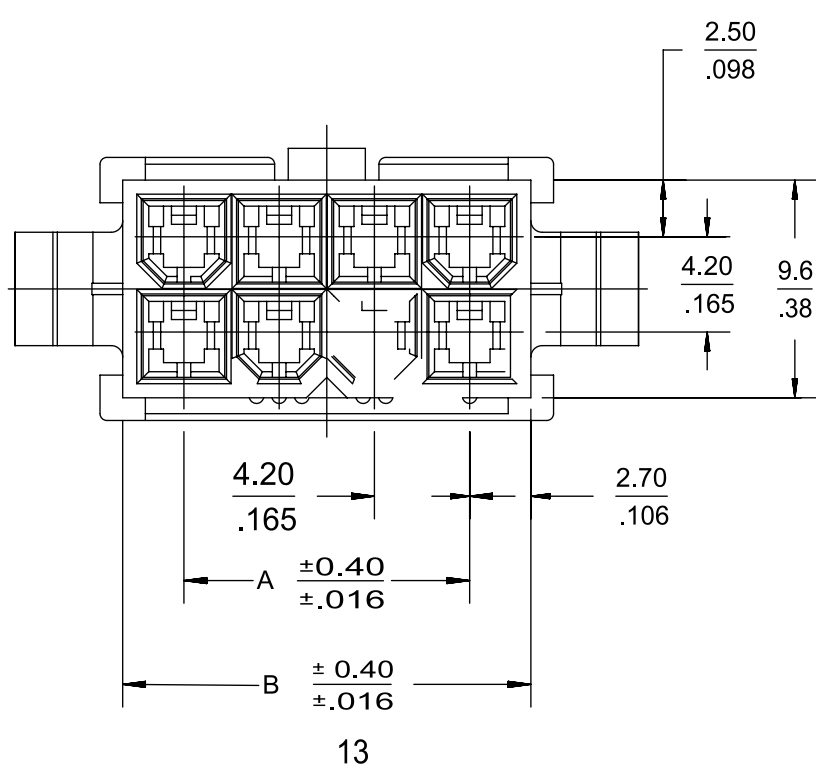
SCALE 2:1

RECOMMENDED PANEL HOLE DIMENSIONS
 (THICKNESS : 0.8-2.0/.032-.079)

12
 .007 R. MAX.
 0.18

PUNCH SIDE
 SECTION "Z"- "Z"
 NO SCALE

52.1/2.051	/2.244	5.6	2.03	46.2	.8	9	24
47.9/1.886	52.9/2.079	47.4	.866	42.0	.654		22
43.7/1.720	~ /1.913	43.2	.70	37.8	.8		20
39.5/1.555	44 /1.748	39.0	.535	33.6	.3		18
35.3/1.390	40.2/1.583	34.8	.370	29.4	.58		16
31.1/1.224	36.0/1.417	30.6	.205		.992		14
26.8/1.055	3.8/1.252	26.4	.039		.827		12
22.6/.890	7.6/1.087	2.7	.874	6	.66		10
8.4/.724	/ .921		.709	2.6	.496		8
4.2/.559	9. / .756	3.8	.543	8.4	.53		6
0/.394	5.0/.591	9.6	.378	4.2			4
5.8	.228	0.8	.425	5.4	.2	3	2



13

THIS DRAWING CONTAINS INFORMATION THAT IS PROPRIETARY TO MOLEX ELECTRONIC TECHNOLOGIES, LLC AND SHOULD NOT BE USED WITHOUT WRITTEN PERMISSION

QUALITY SYMBOLS	DIMENSION UNITS	SCALE
= 0	MM/IN	3:1
= 0	MM INCH	
= 0	DRWN BY	DATE
= 0	4 PLACES ± ±	H.HIRAMOTO 1998/10/14
= 0	3 PLACES ± ± 0.012	CHK'D BY DATE
= 0	2 PLACES ± 0.3 ± 0.016	Y.YAMADA 1988/10/21
= 0	1 PLACES ± 0.4 ±	APPR BY DATE
= 0	0 PLACES ± ±	M.ENOMOTO 1988/10/24
= 0	ANGULAR TOL ± 3.0	DRAWING SIZE THIRD ANGLE PROJECTION
= 0	DRAFT WHERE APPLICABLE MUST REMAIN WITHIN DIMENSIONS	

CONVERT TO NX
 EC NO: 106862
 DRWN: CSLAFTER
 CHK'D: JBELL
 APPR: FSMITH

5559 SEE CHART GENERAL MARKET

DOCUMENT NUMBER SD-5559-NP DOC TYPE PSD DOC PART 000 SHEET NUMBER 1 OF 2