

注記 NOTES

1. 使用材料 MATERIAL

ハウジング : 液晶ポリマー (LCP) UL94V-0 (黒)
 HOUSING: LIQUID CRYSTAL POLYMER UL94V-0 (COLOR:BLACK)
 ターミナル : 銅合金
 TERMINAL : COPPER ALLOY
 金具 : 銅合金
 FITTING NAIL : COPPER ALLOY

2. メッキ仕様 PLATING

ターミナル TERMINAL

金メッキ
 GOLD

下地メッキ : ニッケルメッキ
 UNDER PLATING : NICKEL

※コンタクト部とテール部はニッケルメッキによって分断されている金メッキです。
 DIVIDE INTO PARTS THE GOLD PLATING OF THE CONTACT AND THE TAIL PART BY THE NICKEL PLATING.

金具 FITTING NAIL

金メッキ (テール部のみ)
 GOLD (ONLY TAIL PART)

下地メッキ : ニッケルメッキ
 UNDER PLATING : NICKEL

△ (全極数 / 2) = 偶数の場合に適用。
 APPLY FOR (CIRCUIT/2) = EVEN.

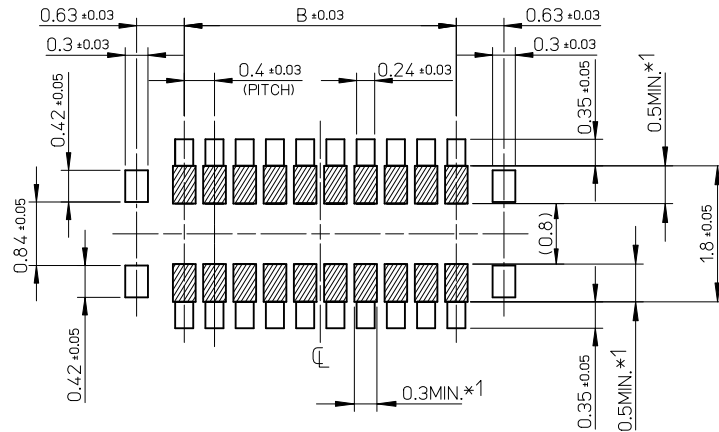
4. 嵌合相手 : 503548 シリーズ
 MATE WITH : 503548 SERIES.

5. テール平坦度は、0.08 以下

テール及び金具の平坦度は、0.1 以下
 TAIL COPLANARITY TO BE 0.08 MAXIMUM.
 TAIL AND FITTING NAIL COPLANARITY TO BE 0.1 MAXIMUM.

3.2	5.06	503552-1880	18
2.8	4.66	503552-1680	16
2.4	4.26	503552-1480	14
2.0	3.86	503552-1280	12
0.8	2.66	503552-0680	6
B	A	EMBOSSED PACKAGE	極数
		オーダー番号 ORDER No.	CIRCUITS
		CONNECTOR SERIES No. : 503552-**89	

RELEASED EC NO. : J2011-0380 DRWN: NAITO 2010/09/10 CHKD: RTAKEUCHI 2010/09/10 APPR: MSASAO	DESCRIPTION REV O	GENERAL TOLERANCES (UNLESS SPECIFIED)		DIMENSION STYLE	SCALE	DESIGN UNITS	THIRD ANGLE PROJECTION	
				MM ONLY	15:1	METRIC	◎ □	
		10 UNDER	±0.2	DRAWN BY	DATE	TITLE		
		10 OVER 30 UNDER	±0.25	NAITO	2010/09/10	0.4 B-T-O-B CONN HGT=0.7 W=2.6 HI-RETENTION PLUG ASSY CHECKER TYPE		
		30 OVER	±0.3	CHECKED BY	DATE			
ANGULAR ±1 °		APPROVED BY	DATE	MOLEX MOLEX INCORPORATED				
DRAFT WHERE APPLICABLE MUST REMAIN WITHIN DIMENSIONS		MSASAO	2010/09/15	MATERIAL NO.	DOCUMENT NO.	SHEET NO.		
		SEE CHART		SD-503552-007		1 OF 2		
		THIS DRAWING CONTAINS INFORMATION THAT IS PROPRIETARY TO MOLEX INCORPORATED AND SHOULD NOT BE USED WITHOUT WRITTEN PERMISSION						



RECOMMENDED P.W. BOARD
PATTERN LAYOUT

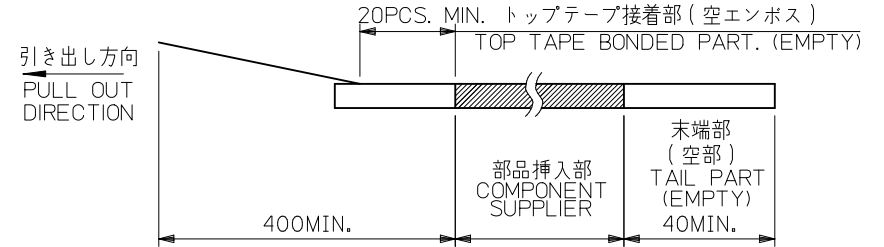
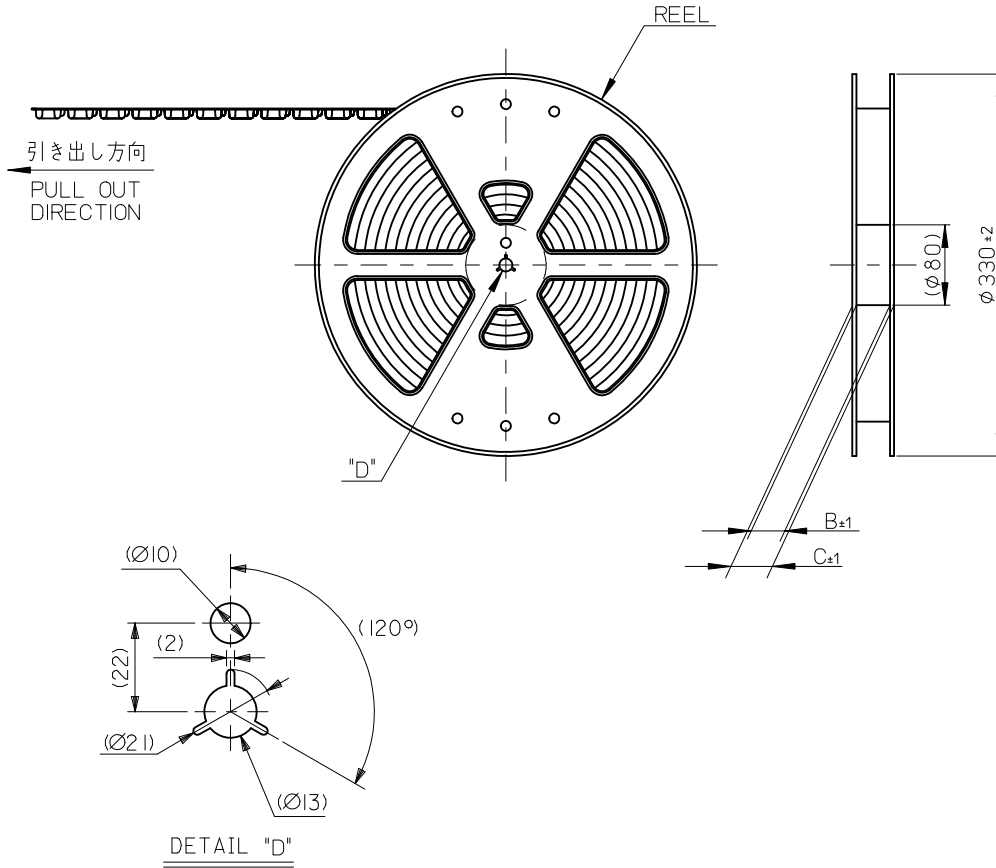
*1 パターン引き回し、および半田禁止エリア
(当該箇所においては、これと接する回路以外の配線を禁止する。
また、接する回路を配線する場合はレジストを施し、この部分に
半田は無きこととする。)

*1 PROHIBITED AREA OF PATTERN WIRING AND SOLDER.
(FOR EACH AREA, THE WIRING THAT TOUCHES ON THE SOLDER
CAN BE ATTACHED, THEN COVERED WITH A FILM TO KEEP SOLDER OUT.)

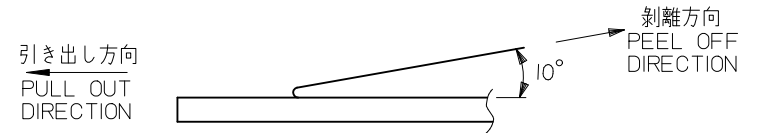
RELEASED EC NO.: J2011-0380 DRWN: NNAITO 2010/09/10 CHK'D: RTAKEUCHI 2010/09/10 APPR: MSASAO	GENERAL TOLERANCES (UNLESS SPECIFIED)		DIMENSION STYLE MM ONLY		SCALE 15:1	DESIGN UNITS METRIC	THIRD ANGLE PROJECTION	
	10 UNDER	± 0.2	DRAWN BY NNAITO	DATE 2010/09/10	TITLE 0.4 B-T0-B CONN HGT=0.7 W=2.6 HI-RETENTION PLUG ASSY CHECKER TYPE			
	10 OVER 30 UNDER	± 0.25	CHECKED BY RTAKEUCHI	DATE 2010/09/10	MOLEX INCORPORATED			
	30 OVER	± 0.3	APPROVED BY MSASAO	DATE 2010/09/15	MATERIAL NO. SEE SHEET 1		DOCUMENT NO. SD-503552-007	SHEET NO. 2 OF 2
	ANGULAR ± 1 °		THIS DRAWING CONTAINS INFORMATION THAT IS PROPRIETARY TO MOLEX INCORPORATED AND SHOULD NOT BE USED WITHOUT WRITTEN PERMISSION					
DRAFT WHERE APPLICABLE MUST REMAIN WITHIN DIMENSIONS								

注記 NOTES

- 製品詳細寸法については製品単体図面を参照下さい。
RE DETAILED DIMENSION, SEE PRODUCT DRAWING.
- 梱包数量：3000 個/リール
NUMBER OF CONNECTORS : 3000PCS/REEL
- リードテープ長さ LEAD TAPE LENGTH

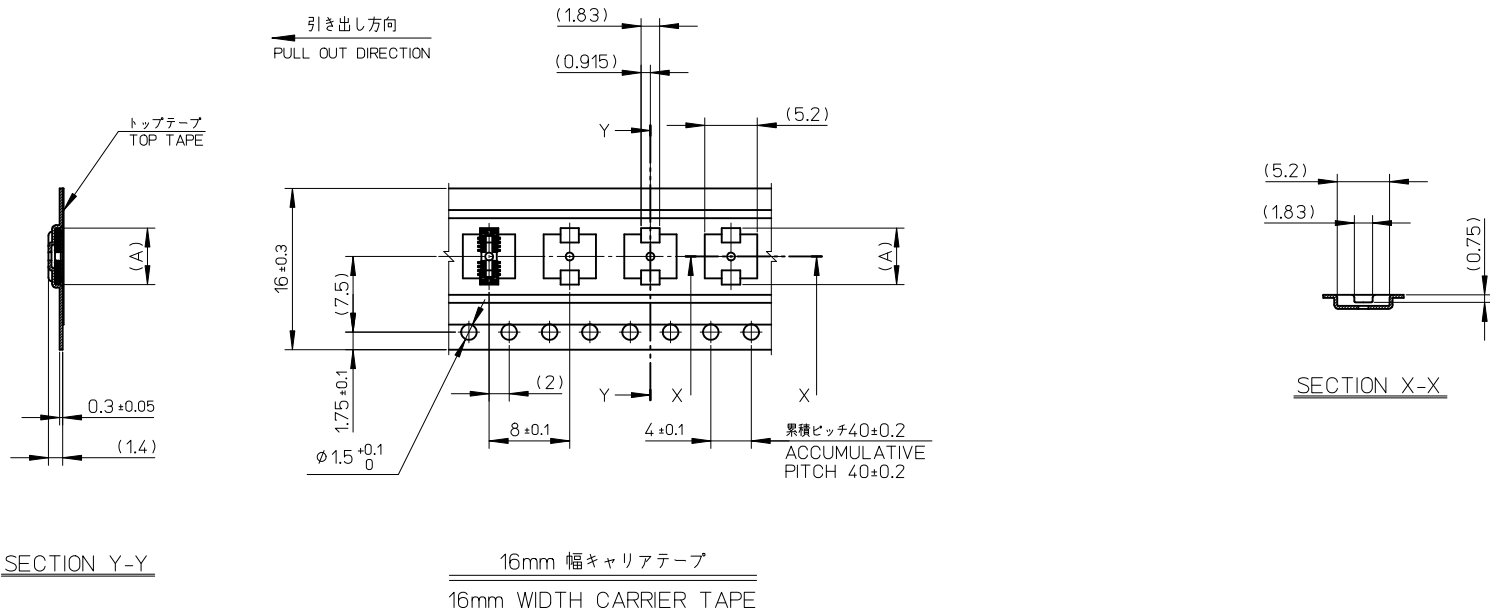


- トップテープの剥離強度：0.1N~1.3N(10gf~130gf)
(剥離方向は下図参照)
尚、本規格値は出荷時に適用。(但し、輸送時に剥離が発生しないこと。)
PEELING OFF FORCE OF TOP TAPE : 0.1N~1.3N(10gf~130gf)
(PEELING DIRECTION AS SHOWN IN FOLLOWING FIG.)
THIS REQUIREMENT SHOULD BE APPLIED AT SHIPMENT.
PEEL OFF SHOULD NOT BE ALLOWED, DURING TRANSPORTION.



- 材料 MATERIAL
キャリアテープ (CARRIER TAPE) : ポリスチレン (POLYSTYRENE)
トップテープ (TOP TAPE) : PET , OTHER
リール (REEL) : ポリスチレン (PS) <リサイクル材を含む>
POLYSTYRENE (PS) <RECYCLE MATERIAL CONTAINED>
- ELV 及び RoHS適合品
ELV AND RoHS COMPLIANT

RELEASED EC NO: J2011-0380 DRWN:NAITO 2010/09/10 CHKD:RTAKEUCHI 2010/09/10 APPR:MSASAO	GENERAL TOLERANCES (UNLESS SPECIFIED)		DIMENSION STYLE MM ONLY		SCALE	DESIGN UNITS METRIC	MODEL NO. 503552-**20
	10 UNDER ± ---		DRAWN BY RTAKEUCHI DATE 2010/02/08		TITLE		
	10 OVER 30 UNDER ± ---		CHECKED BY THIRATA DATE 2010/02/08		0.4 B-TO-B CONN. HGT=0.7 HI-RETENTION PLUG ASSY CHECKER TYPE EMBSTP PKG		
	30 OVER ± ---		APPROVED BY MSASAO DATE 2010/02/08		MOLEX MOLEX INCORPORATED		
ANGULAR ± --- °		MATERIAL NO. SEE CHART		DOCUMENT NO. SD-503552-008		SHEET NO. 1 OF 2	
DRAFT WHERE APPLICABLE MUST REMAIN WITHIN DIMENSIONS		THIS DRAWING CONTAINS INFORMATION THAT IS PROPRIETARY TO MOLEX INCORPORATED AND SHOULD NOT BE USED WITHOUT WRITTEN PERMISSION					



16	21.4	17.4	5.21	503552-1880	18
			4.81	503552-1680	16
			4.41	503552-1480	14
			4.01	503552-1280	12
			2.81	503552-0680	6
キャリアテープ幅 CARRIER TAPE WIDTH			C	B	(A)
			MATERIAL No.		CKT.
			MODEL No.		503552-***80

RELEASED EC NO: J2011-0380 DRW: NAITO 2010/09/10 CHK: RTAKEUCHI 2010/09/10 APPR: MSASAO	GENERAL TOLERANCES (UNLESS SPECIFIED)		DIMENSION STYLE MM ONLY		SCALE	DESIGN UNITS METRIC	THIRD ANGLE PROJECTION	
	10 UNDER	± ---	DRAWN BY	DATE	TITLE			
	10 OVER 30 UNDER	± ---	RTAKEUCHI	2010/02/08	0.4 B-TO-B CONN. HGT=0.7 HI-RETENTION PLUG ASSY CHECKER TYPE EMBSTP PKG			
	30 OVER	± ---	CHECKED BY	DATE	MOLEX INCORPORATED			
	ANGULAR	± --- °	THIRATA	2010/02/08	DOCUMENT NO.			
DRAFT WHERE APPLICABLE MUST REMAIN WITHIN DIMENSIONS		APPROVED BY	DATE	SEE CHART		SD-503552-008		SHEET NO. 2 OF 2
0		MSASAO	2010/02/08	MATERIAL NO.		THIS DRAWING CONTAINS INFORMATION THAT IS PROPRIETARY TO MOLEX INCORPORATED AND SHOULD NOT BE USED WITHOUT WRITTEN PERMISSION		