

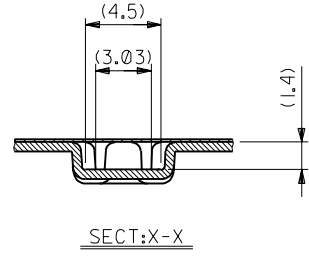
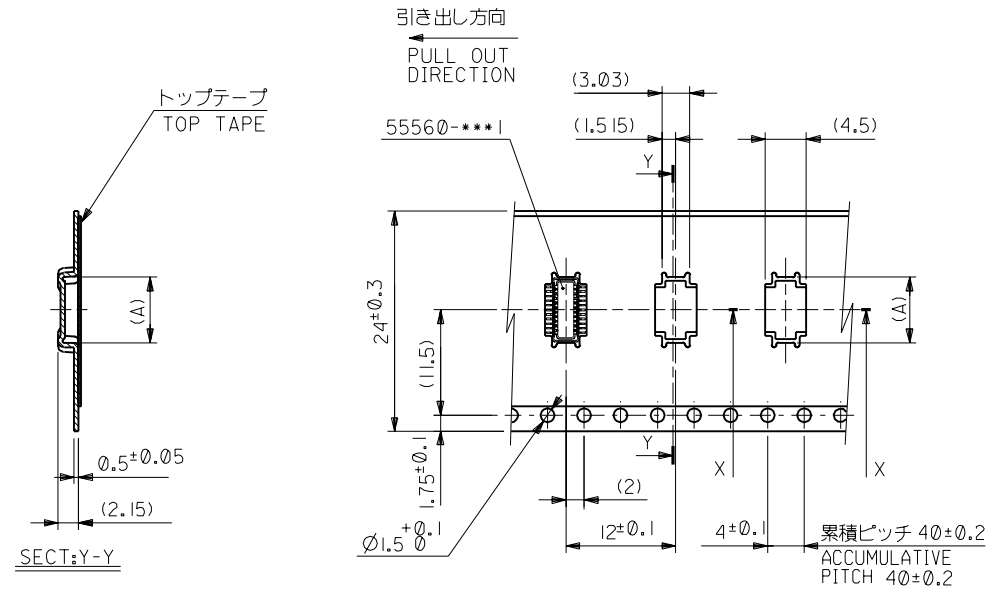
嵌合断面図 (参考)  
MATED DRAWING (REF.)

注記 NOTES:

1. 使用材料 MATERIAL  
 ウェハー : 液晶ポリマー ガラス充填 ,UL94V-0(黒)  
 WAFER : LIQUID CRYSTAL POLYMER  
 (GLASS FILLED), UL94V-0 (COLOR:BLACK)  
 ピン : 黄銅 (t=0.15)  
 PIN : BRASS(t=0.15)
2. メッキ仕様 PLATING  
 金メッキ 0.25 MICROMETER MINIMUM (コンタクト部)  
 GOLD 0.25 MICROMETER MINIMUM (CONTACT AREA).  
 金メッキ 0.4 MICROMETER MAXIMUM (テール部)  
 GOLD 0.4 MICROMETER MAXIMUM (TAIL AREA).  
 下地メッキ : ニッケルメッキ 1.5 MICROMETER MINIMUM  
 UNDER PLATING : NICKEL 1.5 MICROMETER MINIMUM.
3. (全極数/2) = 偶数の場合に適用。  
 APPLY FOR (CIRCUIT/2)=EVEN.
4. 嵌合相手 : 54722 シリーズ, 54037 シリーズ  
 MATE WITH : 54722 SERIES, 54037 SERIES.
5. テール平坦度は、0.1 MAXIMUM  
 TAIL COPLANARITY TO BE 0.1 MAXIMUM.

有効嵌合長  
MATING  
LENGTH

REVISED EC NO: J2012-0135 DRWN: YON002 CHKD: TASAKAWA APPR: MSASAO	DESCRIPTION 2011/07/01 2011/07/01 2011/07/29	GENERAL TOLERANCES (UNLESS SPECIFIED)		DIMENSION STYLE MM ONLY	SCALE ---	DESIGN UNITS METRIC	THIRD ANGLE PROJECTION	
		10 UNDER	± 0.20	DRAWN BY SAIHARA	DATE 2000/10/05	TITLE 0.5 B-T-O-B CONN PLUG ASSY (HGT=1.5)		
		10 OVER 30 UNDER	± 0.25	CHECKED BY MSASAO	DATE 2003/03/31	MOLEX INCORPORATED		
		30 OVER	± 0.30	APPROVED BY MSASAO	DATE 2003/03/31	MATERIAL NO. SEE SHEET 1	DOCUMENT NO. SD-55560-006	SHEET NO. 2 OF 2
REV	DESCRIPTION	ANGULAR ±3 ° DRAFT WHERE APPLICABLE MUST REMAIN WITHIN DIMENSIONS		THIS DRAWING CONTAINS INFORMATION THAT IS PROPRIETARY TO MOLEX INCORPORATED AND SHOULD NOT BE USED WITHOUT WRITTEN PERMISSION				



24mm幅キャリアテープ  
24mm WIDTH CARRIER TAPE

24	25.5	7.15	55560-0228	22
キャリアテープ幅 CARRIER TAPE WIDTH		B	(A)	種数 CIRCUIT
MODEL NO.	55560-***8		DIMENSIONS:	SHT REV

④4NO. DRWN: CHK: APPR:	④3NO. DRWN: CHK: APPR:	④2NO. DRWN: CHK: APPR:	④1NO. JC2001-0604 DRWN: R.SHINA '01/01/30 CHK: T.IITO APPR: M.FUKUSHIMA	④0NO. JC2001-0402 DRWN: S.AIHARA '00/11/28 CHK: T.IITO APPR: M.FUKUSHIMA	MATERIAL 材料 SHEET 1 OF 2 参照 REFER TO SHEET 1 OF 2
④3NO. DRWN: CHK: APPR:	④2NO. DRWN: CHK: APPR:	④1NO. JC2001-0604 DRWN: R.SHINA '01/01/30 CHK: T.IITO APPR: M.FUKUSHIMA	④0NO. JC2001-0402 DRWN: S.AIHARA '00/11/28 CHK: T.IITO APPR: M.FUKUSHIMA	FINISH 仕上げ //	GENERAL TOLERANCES: (UNLESS SPECIFIED) 一般公差
④2NO. DRWN: CHK: APPR:	④1NO. JC2001-0604 DRWN: R.SHINA '01/01/30 CHK: T.IITO APPR: M.FUKUSHIMA	④0NO. JC2001-0402 DRWN: S.AIHARA '00/11/28 CHK: T.IITO APPR: M.FUKUSHIMA	WIRE RANGE 適用線径範囲 //	INS. RANGE 被覆外径 //	SCALE 1:1 DESIGN UNITS <input checked="" type="checkbox"/> mm <input type="checkbox"/> INCH PROJECTION <input checked="" type="checkbox"/> FIRST ANGLE <input type="checkbox"/> THIRD ANGLE DIMENSIONS: <input type="checkbox"/> mm <input type="checkbox"/> INCH <input checked="" type="checkbox"/> mm ONLY REVISION ON CAD ONLY

④1NO. JC2001-0604 DRWN: R.SHINA '01/01/30 CHK: T.IITO APPR: M.FUKUSHIMA	④0NO. JC2001-0402 DRWN: S.AIHARA '00/11/28 CHK: T.IITO APPR: M.FUKUSHIMA	FINISH 仕上げ //	WIRE RANGE 適用線径範囲 //	INS. RANGE 被覆外径 //	SCALE 1:1 DESIGN UNITS <input checked="" type="checkbox"/> mm <input type="checkbox"/> INCH PROJECTION <input checked="" type="checkbox"/> FIRST ANGLE <input type="checkbox"/> THIRD ANGLE DIMENSIONS: <input type="checkbox"/> mm <input type="checkbox"/> INCH <input checked="" type="checkbox"/> mm ONLY REVISION ON CAD ONLY
④0NO. JC2001-0402 DRWN: S.AIHARA '00/11/28 CHK: T.IITO APPR: M.FUKUSHIMA	FINISH 仕上げ //	WIRE RANGE 適用線径範囲 //	INS. RANGE 被覆外径 //	SCALE 1:1 DESIGN UNITS <input checked="" type="checkbox"/> mm <input type="checkbox"/> INCH PROJECTION <input checked="" type="checkbox"/> FIRST ANGLE <input type="checkbox"/> THIRD ANGLE DIMENSIONS: <input type="checkbox"/> mm <input type="checkbox"/> INCH <input checked="" type="checkbox"/> mm ONLY REVISION ON CAD ONLY	
④0NO. JC2001-0402 DRWN: S.AIHARA '00/11/28 CHK: T.IITO APPR: M.FUKUSHIMA	FINISH 仕上げ //	WIRE RANGE 適用線径範囲 //	INS. RANGE 被覆外径 //	SCALE 1:1 DESIGN UNITS <input checked="" type="checkbox"/> mm <input type="checkbox"/> INCH PROJECTION <input checked="" type="checkbox"/> FIRST ANGLE <input type="checkbox"/> THIRD ANGLE DIMENSIONS: <input type="checkbox"/> mm <input type="checkbox"/> INCH <input checked="" type="checkbox"/> mm ONLY REVISION ON CAD ONLY	

DRAWN BY & DATE S.AIHARA '00/11/28 CHECKED BY & DATE T.IITO '01/01/30 APPROVED BY & DATE M.FUKUSHIMA '01/01/30 CAD FILENAME 55560008.S03	TITLE: 0.5 B-To-B Conn PLUG Assy (Hgt=1.5) Embstp Pkg	MOLEX INCORPORATED MATERIAL NO. SEE CHART DRAWING NO. SD-55560-008 SHEET NO. 3 OF 3 SIZE B
THIS DRAWING CONTAINS INFORMATION THAT IS PROPRIETARY TO MOLEX INCORPORATED AND SHOULD NOT BE USED WITHOUT WRITTEN PERMISSION.		

DO NOT SCALE DRAWING