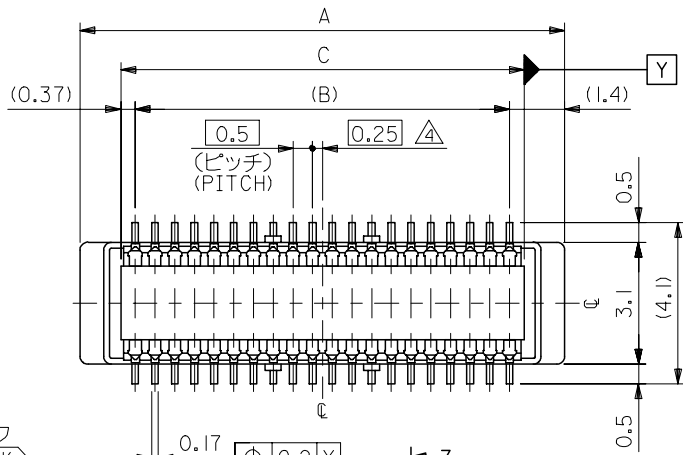
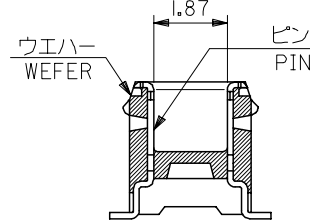
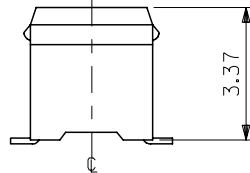
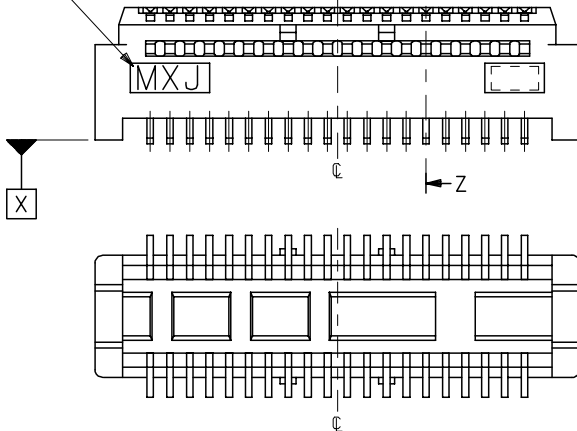


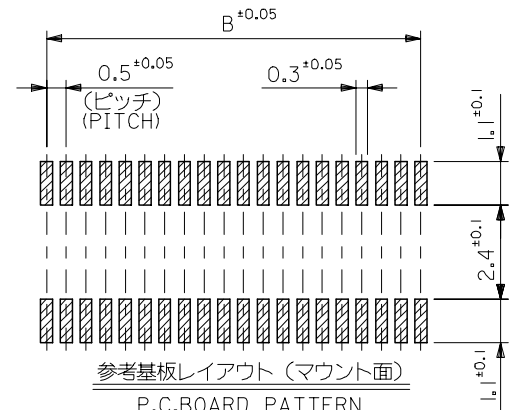
10 9 8 7 6 5 4 3 2 1



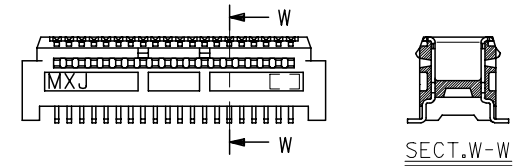
トレードマーク
TRADE MARK



SECT.Z-Z



参考基板レイアウト (マウント面)
P.C. BOARD PATTERN
DIMENSION (REF.)
(MOUNTING AREA)



60極品以上形状図
SHAPE OF OVER 60CKT.

注記 NOTES:

- 使用材料 MATERIAL
ウエハー: LCPガラス入り (黒), UL94V-0
WAFER: LCP(G.F.) (COLOR :BLACK),
UL94V-0
ピン: 黄銅 (t=0.15)
PIN: BRASS (t=0.15)
- メッキ仕様 PLATING
全体仕上げ: 金メッキ 0.1 MICROMETER MIN.
ALL OVER: GOLD 0.1 MICROMETER MIN.
下地メッキ: ニッケルメッキ 1.5 MICROMETER MIN.
UNDER PLATING: NICKEL 1.5 MICROMETER MIN.
- 5 嵌合相手: 54167 シリーズ
52991 シリーズ
MATE WITH: 54167 SERIES,
52991 SERIES.
6 テール平坦度は、0.1MAX.
TAIL COPLANARITY TO BE 0.1MAX.

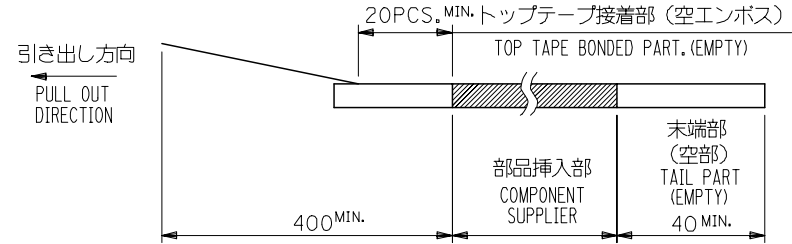
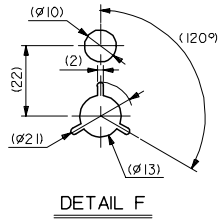
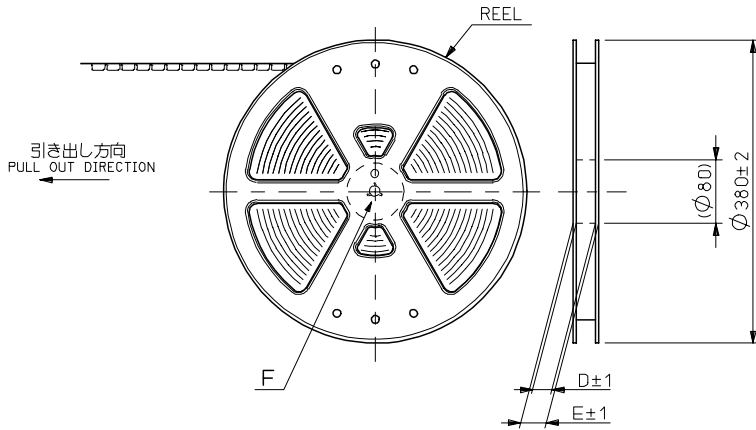
- 基準面 [X] からのソルダーテールの半田付け面のズレ量は、上方向 0、
下方向 0.15MAX. とする。
MISALIGNMENT OF SOLDER TAIL FROM [X]
: UPPER DIRECTION 0, LOWER DIRECTION 0.15 MAX.
△ (全極数/2) = 偶数の場合に適用。
APPLY FOR (CIRCUIT/2)=EVEN.

| | | | | |
|-------|------|------|--------------|---------------|
| 20.24 | 19.5 | 22.3 | 53916-0801 | 80 |
| 17.74 | 17.0 | 19.8 | -0701 | 70 |
| 15.24 | 14.5 | 17.3 | -0601 | 60 |
| 12.74 | 12.0 | 14.8 | -0501 | 50 |
| 10.24 | 9.5 | 12.3 | -0401 | 40 |
| 7.74 | 7.0 | 9.8 | -0301 | 30 |
| 5.24 | 4.5 | 7.3 | 53916-0201 | 20 |
| C | B | A | MATERIAL NO. | 極数 CIRCUIT |

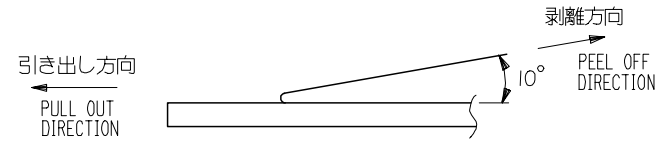
| | | | | | | | | | |
|---|---|--|-------|----------------------------|-------------------|--|------------------------|---------------------------|--|
| REVISED EC NO: J2006-0604 DR: WNAIDA CHK: KYOYODA APP: NUKITA | DESCRIPTION 2005/08/31 2005/09/01 2005/09/09 | GENERAL TOLERANCES (UNLESS SPECIFIED) | | DIMENSION STYLE MM ONLY | | SCALE --- | DESIGN UNITS METRIC | THIRD ANGLE PROJECTION | |
| | | 10 UNDER | ±0.2 | DRAWN BY S. AIHARA | DATE '96/11/28 | TITLE 0.5 B/B CONN PLUG ASSY (W/O BOSS, W/O NAIL) -LEAD FREE- | | | |
| | | 10 OVER 30 UNDER | ±0.25 | CHECKED BY M. SASAO | DATE '01/12/26 | | | | |
| | | 30 OVER | ±0.3 | APPROVED BY M. SASAO | DATE '01/12/26 | | | | |
| ANGULAR ±3 ° | | DRAFT WHERE APPLICABLE MUST REMAIN WITHIN DIMENSIONS | | MATERIAL NO. SEE CHART | | DOCUMENT NO. SD-53916-001 | | SHEET NO. 1 OF 2 | |
| SIZE A3 THIS DRAWING CONTAINS INFORMATION THAT IS PROPRIETARY TO MOLEX INCORPORATED AND SHOULD NOT BE USED WITHOUT WRITTEN PERMISSION | | | | | | | | | |

NOTES

- 製品詳細寸法については図面 SD-53916-001 を参照下さい。
RE DETAILED DIMENSION, SEE SD-53916-001
- 梱包数量：1500個/リール
NUMBER OF CONNECTORS：1500PCS/REEL
- リードテープ長さ LEAD TAPE LENGTH



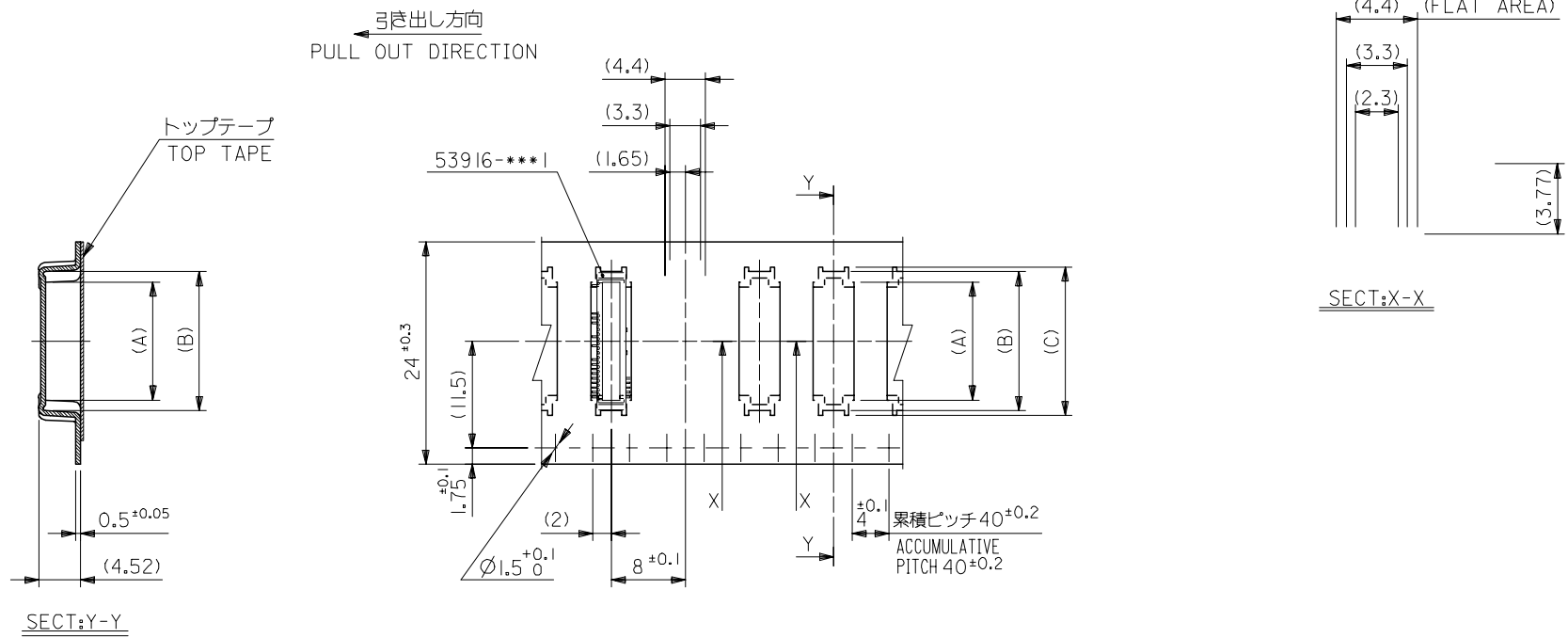
- トップテープの剥離強度：0.1N~1.3N (10gf~130gf) (剥離方向は下図参照) 尚、本規格値は出荷時に適用。(但し、輸送時に剥離が発生しないこと。)
PEELING OFF FORCE OF TOP TAPE：0.1N~1.3N (10gf~130gf) (PEELING DIRECTION AS SHOWN IN FOLLOWING FIG.) THIS REQUIREMENT SHOULD BE APPLIED AT SHIPMENT. PEEL OFF SHOULD NOT BE ALLOWED, DURING TRANSPORTATION.



- 材料(MATERIAL)
キャリアテープ(CARRIER TAPE)：ポリプロピレン(POLYPROPYLENE)
トップテープ(TOPTAPE)：PET, PE, PEF
リール(REEL)：ポリスチレン(P.S) <リサイクル材を含む>
POLYSTYREN(PS) <RECYCLE MATERIAL CONTAINED>

53916-***8 MODEL NO.

| | | | | | | |
|--|---------------------------------------|--------|-----------------------------|---|--|------------------------|
| REVISED EC NO: J2006-0604 DRW:NNAIDA 2005/08/31 CHKD:KTOYODA 2005/09/01 APPR:NUKITA 2005/09/09 | GENERAL TOLERANCES (UNLESS SPECIFIED) | | DIMENSION STYLE MM ONLY | SCALE --- | DESIGN UNITS METRIC | THIRD ANGLE PROJECTION |
| | 10 UNDER | ± 0.2 | DRAWN BY S. AIHARA | DATE '96/11/27 | TITLE 0.5 B/B CONN PLUG ASSY EMBSTP PKG -LEAD FREE- | |
| | 10 OVER 30 UNDER | ± 0.25 | CHECKED BY T. ITO | DATE '01/01/26 | MOLEX INCORPORATED | |
| | 30 OVER | ± 0.3 | APPROVED BY M. FUKUSHIMA | DATE '01/01/26 | DOCUMENT NO. SD-53916-002 | SHEET NO. 1 OF 4 |
| G | ANGULAR | ± 3 ° | MATERIAL NO. SEE CHART | THIS DRAWING CONTAINS INFORMATION THAT IS PROPRIETARY TO MOLEX INCORPORATED AND SHOULD NOT BE USED WITHOUT WRITTEN PERMISSION | | |
| DRAFT WHERE APPLICABLE MUST REMAIN WITHIN DIMENSIONS | | | | | | |



24mm幅キャリアテープ
24mm WIDTH CARRIER TAPE

| | | | | | | | | | |
|------------|-----------|--------------------------------|------|------|-------|------------|-----|--------------|---------------|
| 24 | 29.4 | 25.4 | 16 | 15 | 12.67 | 53916-0508 | 50 | | |
| | | | 13.5 | 12.5 | 10.17 | 53916-0408 | 40 | | |
| | | | 11 | 10 | 7.67 | 53916-0308 | 30 | | |
| | | | 8.5 | 7.5 | 5.17 | 53916-0208 | 20 | | |
| 53916-***8 | MODEL NO. | キャリアテープ幅 CARRIER TAPE WIDTH | E | D | (C) | (B) | (A) | MATERIAL NO. | 極数 CIRCUIT |

REVISED

SEE CHART

10 9 8 7 6 5 4 3 2 1

F

E

D

C

B

A

F

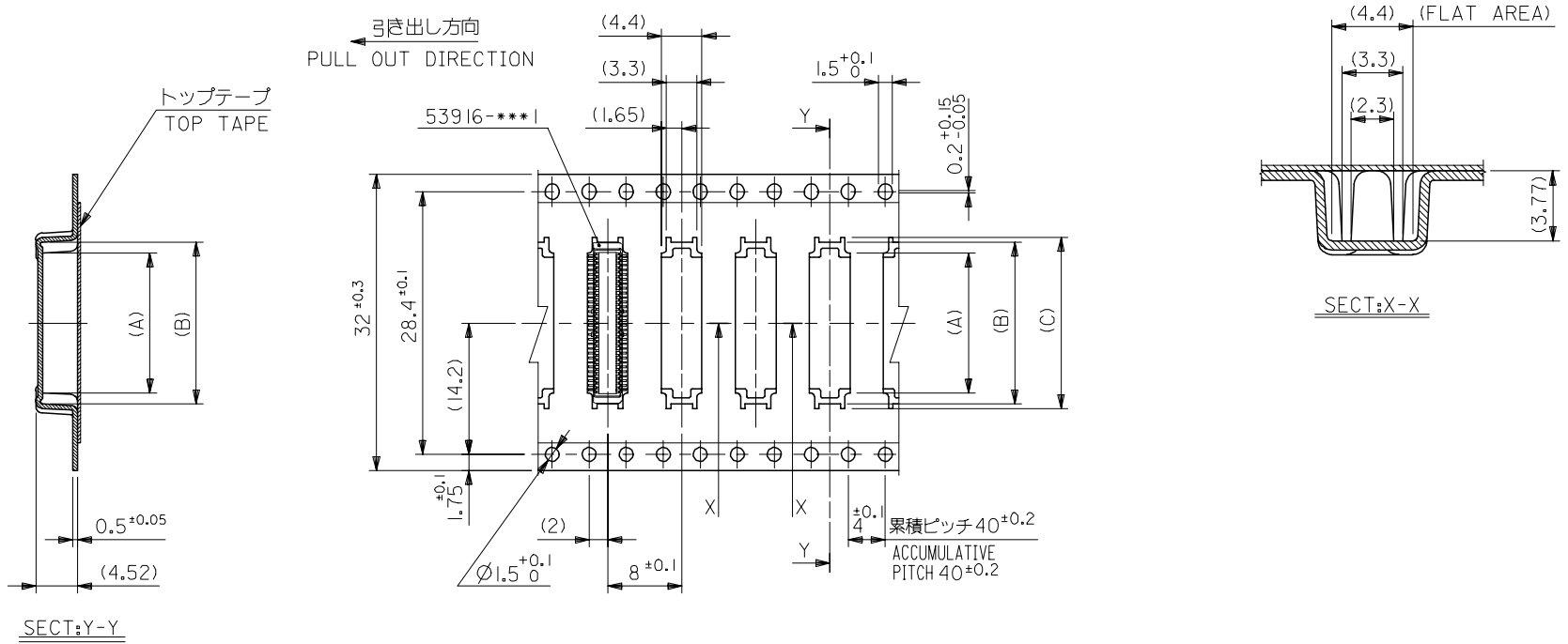
E

D

C

B

A



32mm幅キャリアテープ
32mm WIDTH CARRIER TAPE

| | | | | | | | | | | | | | | | | | | |
|--|---------------------------------------|------------|-----------|--------------|-------------|------------|------------|---|-----------------|-----------|-------|--------------|--------------|------------------------|------------------------|-----------|------------|----|
| REVISED | EC NO: J2006-0604 | 2005/08/31 | DRW:NAIDA | 2005/09/01 | CHK:KTOYODA | 2005/09/09 | APP:NUKITA | DESCRIPTION | 53916-***8 | MODEL NO. | 32 | 37.4 | 33.4 | 18.5 | 17.5 | 15.17 | 53916-0608 | 60 |
| G | GENERAL TOLERANCES (UNLESS SPECIFIED) | | | | | | | | DIMENSION STYLE | | SCALE | | DESIGN UNITS | | THIRD ANGLE PROJECTION | | | |
| 10 UNDER | | ± --- | | DRAWN BY | | DATE | | TITLE | | --- | | METRIC | | 0.5 B/B CONN PLUG ASSY | | | | |
| 10 OVER 30 UNDER | | ± --- | | T. YASUI | | '97/05/14 | | EMBSTP PKG | | | | | | -LEAD FREE- | | | | |
| 30 OVER | | ± --- | | T. ITO | | '01/01/26 | | ANGULAR | | ± --- ° | | | | MOLEX INCORPORATED | | | | |
| DRAFT WHERE APPLICABLE MUST REMAIN WITHIN DIMENSIONS | | | | APPROVED BY | | DATE | | MATERIAL NO. | | SEE CHART | | DOCUMENT NO. | | SD-53916-002 | | SHEET NO. | | |
| | | | | M. FUKUSHIMA | | '01/01/26 | | | | | | | | | | 3 OF 4 | | |
| | | | | SIZE | | A3 | | THIS DRAWING CONTAINS INFORMATION THAT IS PROPRIETARY TO MOLEX INCORPORATED AND SHOULD NOT BE USED WITHOUT WRITTEN PERMISSION | | | | | | | | | | |

10 9 8 7 6 5 4 3 2 1

F

E

D

C

B

A

F

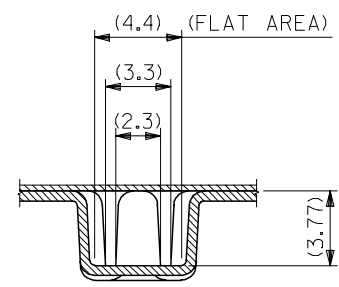
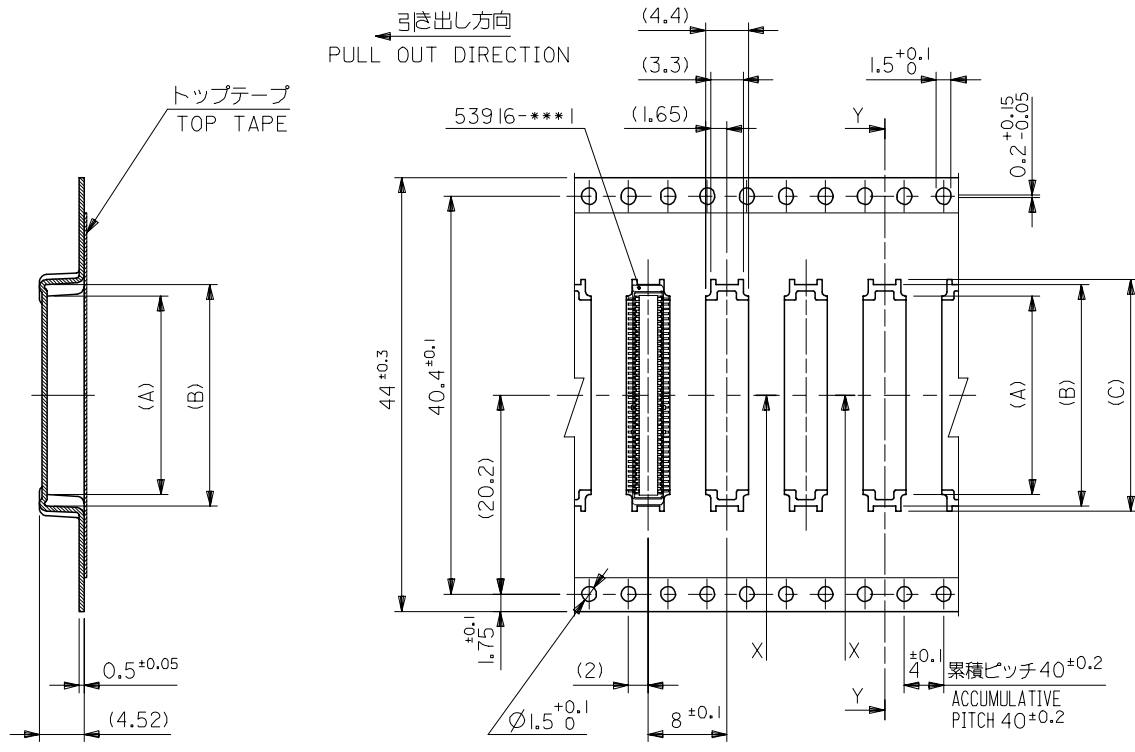
E

D

C

B

A



SECT:Y-Y

44mm幅キャリアテープ
44mm WIDTH CARRIER TAPE

| | | | | | | | | | | | | | | |
|-------------------|--|------------------------|--|--|--|--------------------------------|------|-----------|------|--|-------|---|--------------|---------------|
| REVISED | | 53916-***8 | | MODEL NO. | | 44 | 49.4 | 45.4 | 23.5 | 22.5 | 20.17 | 53916-0808 | 80 | |
| EC NO: J2006-0604 | | DRWN:NAIDA | | 2005/08/31 | | キャリアテープ幅 CARRIER TAPE WIDTH | | E | D | (C) | (B) | (A) | MATERIAL NO. | 極数 CIRCUIT |
| CHKD:KTOYODA | | 2005/09/01 | | 2005/09/01 | | DIMENSION STYLE | | SCALE | | DESIGN UNITS | | THIRD ANGLE PROJECTION | | |
| APPR:NUKITA | | 2005/09/09 | | GENERAL TOLERANCES (UNLESS SPECIFIED) | | MM ONLY | | --- | | METRIC | | ⊙ □ | | |
| REV | | DESCRIPTION | | 10 UNDER ± --- | | DRAWN BY | | DATE | | TITLE | | 0.5 B/B CONN PLUG ASSY EMBSTP PKG -LEAD FREE- | | |
| G | | 10 OVER 30 UNDER ± --- | | 30 OVER ± --- | | S. AIHARA | | '98/10/23 | | MOLEX | | MOLEX INCORPORATED | | |
| | | ANGULAR ± --- ° | | DRAFT WHERE APPLICABLE MUST REMAIN WITHIN DIMENSIONS | | T. ITO | | '01/01/26 | | M. FUKUSHIMA | | '01/01/26 | | |
| | | | | | | APPROVED BY | | DATE | | MATERIAL NO. | | DOCUMENT NO. | | |
| | | | | | | M. FUKUSHIMA | | '01/01/26 | | SEE CHART | | SD-53916-002 | | |
| | | | | | | SIZE | | A3 | | THIS DRAWING CONTAINS INFORMATION THAT IS PROPRIETARY TO MOLEX INCORPORATED AND SHOULD NOT BE USED WITHOUT WRITTEN PERMISSION | | SHEET NO. 4 OF 4 | | |