

注記 NOTES

1. 使用材料 MATERIAL

ハウジング : 液晶ポリマー ( LCP ) UL94V-0 ( 黒 )  
 60極品はLCPのグレードが異なります。  
 HOUSING: LIQUID CRYSTAL POLYMER UL94V-0 ( COLOR: BLACK )  
 ターミナル : 銅合金  
 TERMINAL : COPPER ALLOY  
 金具 : 銅合金  
 FITTING NAIL : COPPER ALLOY

2. メッキ仕様 PLATING

ターミナル TERMINAL

金メッキ  
 GOLD

下地メッキ: ニッケルメッキ  
 UNDER PLATING: NICKEL

※コンタクト部とテール部はニッケルメッキによって分断されている金メッキです。  
 DIVIDE INTO PARTS THE GOLD PLATING OF THE CONTACT AND THE TAIL PART BY THE NICKEL PLATING.

金具 FITTING NAIL

錫メッキ  
 Tin PLATING

下地メッキ: ニッケルメッキ  
 UNDER PLATING: NICKEL

△ (全極数 / 2) = 偶数の場合に適用。  
 APPLY FOR (CIRCUIT/2) = EVEN.

4. 嵌合相手: 503304 シリーズ  
 MATE WITH: 503304 SERIES.

5. テール平坦度は、0.08 以下  
 テール及び金具の平坦度は、0.1 以下  
 TAIL COPLANARITY TO BE 0.08 MAXIMUM.  
 TAIL AND FITTING NAIL COPLANARITY TO BE 0.1 MAXIMUM.

|                                    |       |                  |             |
|------------------------------------|-------|------------------|-------------|
| 11.6                               | 13.47 | 503308-6020      | 60          |
| 9.6                                | 11.47 | 503308-5010      | 50          |
| 8.4                                | 10.27 | 503308-4410      | 44          |
| 8.0                                | 9.87  | 503308-4210      | 42          |
| 7.6                                | 9.47  | 503308-4010      | 40          |
| 5.6                                | 7.47  | 503308-3010      | 30          |
| 4.8                                | 6.67  | 503308-2610      | 26          |
| 4.4                                | 6.27  | 503308-2410      | 24          |
| 3.6                                | 5.47  | 503308-2010      | 20          |
| 3.2                                | 5.07  | 503308-1810      | 18          |
| 2.8                                | 4.67  | 503308-1610      | 16          |
| 2.0                                | 3.87  | 503308-1210      | 12          |
| B                                  | A     | EMBOSSED PACKAGE |             |
|                                    |       | オーダー番号 ORDER No. | 極数 CIRCUITS |
| CONNECTOR SERIES No. : 503308-**09 |       |                  |             |

DIMENSION STYLE

SCALE

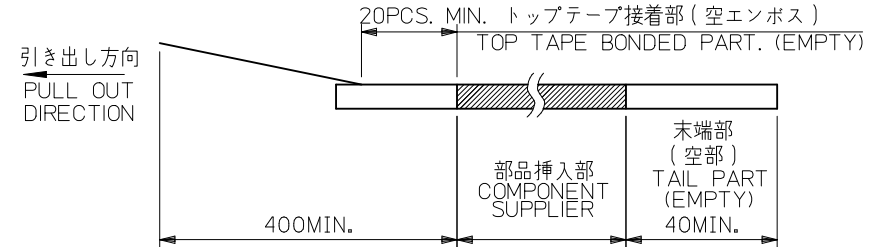
DESIGN UNITS

THIRD ANGLE PROJECTION

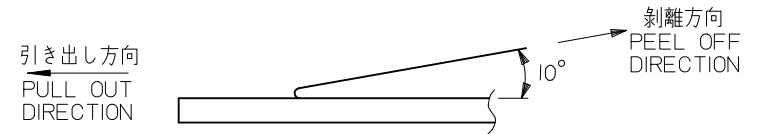


注記 NOTES

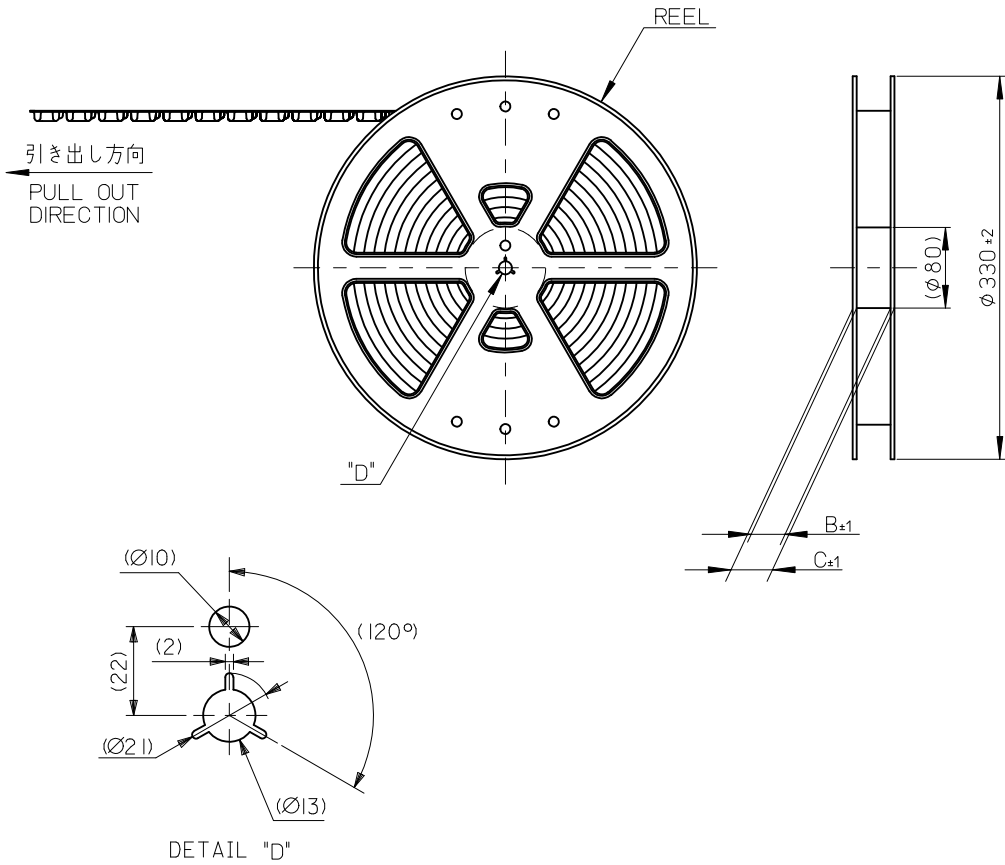
- 製品詳細寸法については製品単体図面を参照下さい。  
RE DETAILED DIMENSION, SEE PRODUCT DRAWING.
- 梱包数量: 3000 個/リール  
NUMBER OF CONNECTORS: 3000PCS/REEL
- リードテープ長さ LEAD TAPE LENGTH



- トップテープの剥離強度: 0.1N~1.3N(10gf~130gf)  
(剥離方向は下図参照)  
尚、本規格値は出荷時に適用。(但し、輸送時に剥離が発生しないこと。)  
PEELING OFF FORCE OF TOP TAPE: 0.1N~1.3N(10gf~130gf)  
(PEELING DIRECTION AS SHOWN IN FOLLOWING FIG.)  
THIS REQUIREMENT SHOULD BE APPLIED AT SHIPMENT.  
PEEL OFF SHOULD NOT BE ALLOWED, DURING TRANSPORTION.

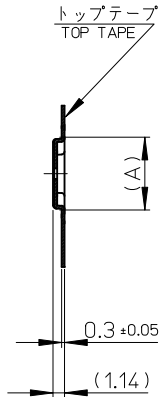


- 材料 MATERIAL  
キャリアテープ (CARRIER TAPE): ポリスチレン (POLYSTYRENE)  
トップテープ (TOP TAPE): PET, OTHER  
リール (REEL): ポリスチレン (PS) <リサイクル材を含む>  
POLYSTYRENE (PS) <RECYCLE MATERIAL CONTAINED>
- ELV 及び RoHS適合品  
ELV AND RoHS COMPLIANT

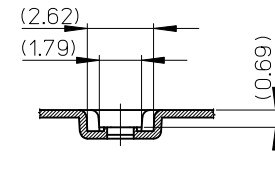
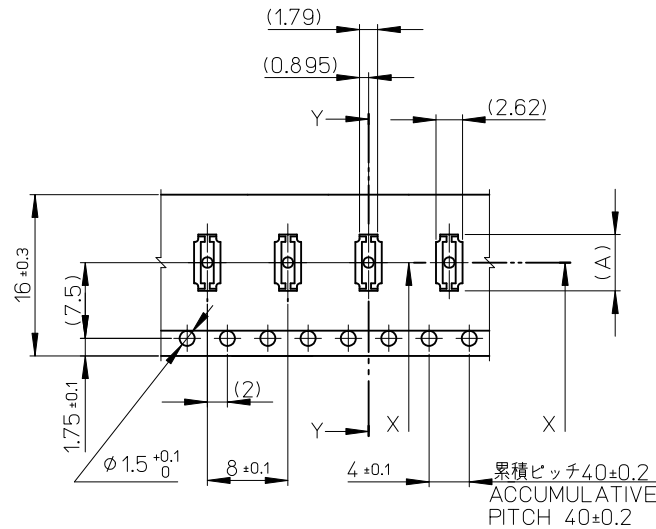


|  |  |                                       |       |                            |            |   |              |                        |  |
|--|--|---------------------------------------|-------|----------------------------|------------|---|--------------|------------------------|--|
| REVISED<br>EC NO: J2011-0495<br>DRWN:KSASAKI<br>CHKD:<br>APPR:MSASAO | 2010/08/16<br>2010/10/05<br>2010/10/05 | GENERAL TOLERANCES (UNLESS SPECIFIED) |       | DIMENSION STYLE<br>MM ONLY |            | SCALE   | DESIGN UNITS | MODEL NO.              | 503308-**10                                      |
|  |  | 10 UNDER                              | ±0.2  | DRAWN BY                   | DATE       | TITLE   | METRIC       | THIRD ANGLE PROJECTION | 0.4 B-TO-B CONN. HGT=0.7<br>PLUG ASSY EMBSTP PKG |
|  |  | 10 OVER 30 UNDER                      | ±0.25 | KSASAKI                    | 2008/12/12 | MOLEX INCORPORATED  |              |                        |  |
|  |  | 30 OVER                               | ±0.3  | CHECKED BY                 | DATE       |   | THIRATA      | 2008/12/12             |  |
|  |  | ANGULAR                               | ±1 °  | APPROVED BY                | DATE       |   | MSASAO       | 2008/12/12             | DOCUMENT NO.                                     |
| DRAFT WHERE APPLICABLE MUST REMAIN WITHIN DIMENSIONS                 |  | MATERIAL NO.                          |       | SEE CHART                  |            | THIS DRAWING CONTAINS INFORMATION THAT IS PROPRIETARY TO MOLEX INCORPORATED AND SHOULD NOT BE USED WITHOUT WRITTEN PERMISSION |              |                        |  |

引き出し方向  
PULL OUT DIRECTION



SECTION Y-Y

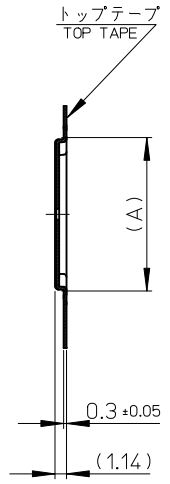


SECTION X-X

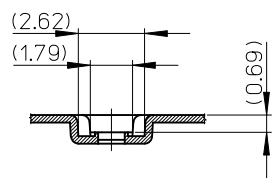
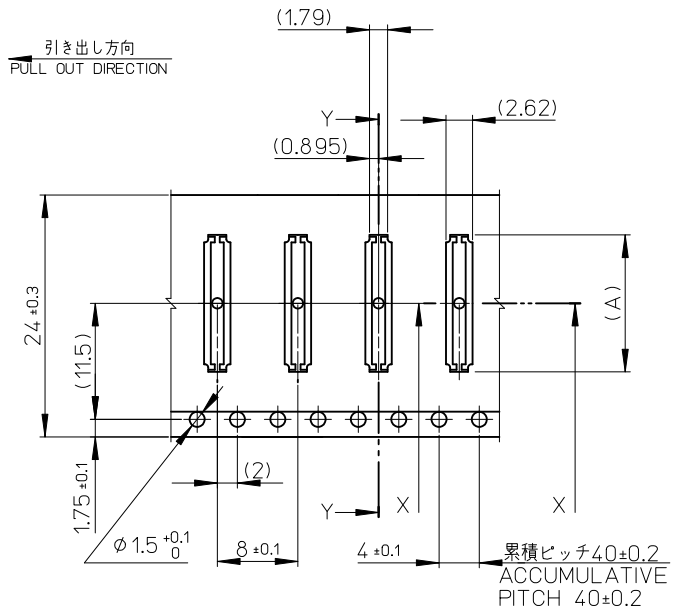
16mm 幅キャリアテープ  
16mm WIDTH CARRIER TAPE

|                                |      |      |              |             |              |
|--------------------------------|------|------|--------------|-------------|--------------|
| 16                             | 21.4 | 17.4 | 6.79         | 503308-2610 | 26           |
|                                |      |      | 6.39         | 503308-2410 | 24           |
|                                |      |      | 5.59         | 503308-2010 | 20           |
|                                |      |      | 5.19         | 503308-1810 | 18           |
|                                |      |      | 4.79         | 503308-1610 | 16           |
|                                |      |      | 3.99         | 503308-1210 | 12           |
| キャリアテープ幅<br>CARRIER TAPE WIDTH |      |      | C            | B           | (A)          |
|                                |      |      | MATERIAL No. |             | CKT.         |
|                                |      |      | MODEL No.    |             | 503308-**-10 |

|  |                    |                                       |        |                            |  |   |              |                                     |  |
|--|--------------------|---------------------------------------|--------|----------------------------|--|---|--------------|-------------------------------------|--|
| REVISED<br>EC NO: J2011-0495<br>DRWN:KSASAKI<br>CHKD:<br>APPR:MSASAO<br>2010/08/16<br>2010/10/05<br>2010/10/05 | DESCRIPTION<br>REV | GENERAL TOLERANCES (UNLESS SPECIFIED) |        | DIMENSION STYLE<br>MM ONLY |  | SCALE   | DESIGN UNITS | THIRD ANGLE PROJECTION              |  |
|  |                    | 10 UNDER                              | ± 0.2  | DRAWN BY DATE              |  | TITLE   | METRIC       | MOLEX INCORPORATED<br>SD-503308-002 |  |
|  |                    | 10 OVER 30 UNDER                      | ± 0.25 | KSASAKI 2008/12/12         |  |   |              |                                     |  |
|  |                    | 30 OVER                               | ± 0.3  | THIRATA 2008/12/12         |  |   |              |                                     |  |
| ANGULAR ± 1 °  |                    | APPROVED BY DATE                      |        | MATERIAL NO.               |  | DOCUMENT NO.  |              | SHEET NO.                           |  |
| DRAFT WHERE APPLICABLE MUST REMAIN WITHIN DIMENSIONS   |                    | MSASAO 2008/12/12                     |        | SEE CHART                  |  | SD-503308-002   |              | 2 OF 3                              |  |
|  |                    |                                       |        | SIZE A3                    |  | THIS DRAWING CONTAINS INFORMATION THAT IS PROPRIETARY TO MOLEX INCORPORATED AND SHOULD NOT BE USED WITHOUT WRITTEN PERMISSION |              |                                     |  |



SECTION Y-Y



SECTION X-X

24mm 幅キャリアテープ  
24mm WIDTH CARRIER TAPE

|                                |      |      |              |             |              |
|--------------------------------|------|------|--------------|-------------|--------------|
| 24                             | 29.4 | 25.4 | 13.59        | 503308-6020 | 60           |
|                                |      |      | 11.59        | 503308-5010 | 50           |
|                                |      |      | 10.39        | 503308-4410 | 44           |
|                                |      |      | 9.99         | 503308-4210 | 42           |
|                                |      |      | 9.59         | 503308-4010 | 40           |
|                                |      |      | 7.59         | 503308-3010 | 30           |
| キャリアテープ幅<br>CARRIER TAPE WIDTH |      |      | C            | B           | (A)          |
|                                |      |      | MATERIAL No. |             | CKT.         |
|                                |      |      | MODEL No.    |             | 503308-**-10 |

|   |                    |  |  |                                       |  |                                       |              |  |  |           |                    |
|---|--------------------|--|--|---------------------------------------|--|---------------------------------------|--------------|--|--|-----------|--------------------|
| REVISED<br>EC NO: J2011-0495<br>DRW:KSASAKI<br>CHKD:<br>APPR:MSASAO<br>2010/08/16<br>2010/10/05<br>2010/10/05 | DESCRIPTION<br>REV | GENERAL TOLERANCES (UNLESS SPECIFIED)                      |  | DIMENSION STYLE<br>MM ONLY            |  | SCALE                                 | DESIGN UNITS | THIRD ANGLE PROJECTION                           |  |           |                    |
|   |                    | 10 UNDER ± 0.2   |  | DRAWN BY DATE<br>KSASAKI 2008/12/12   |  | TITLE                                 |              | 0.4 B-TO-B CONN. HGT=0.7<br>PLUG ASSY EMBSTP PKG |  |           |                    |
|   |                    | 10 OVER 30 UNDER ± 0.25                                    |  | CHECKED BY DATE<br>THIRATA 2008/12/12 |  | APPROVED BY DATE<br>MSASAO 2008/12/12 |              |  |  |           | MOLEX INCORPORATED |
|   |                    | 30 OVER ± 0.3  |  | ANGULAR ± 1 °                         |  | MATERIAL NO.                          |              | DOCUMENT NO.                                     |  | SHEET NO. |                    |
|   |                    | DRAFT WHERE APPLICABLE<br>MUST REMAIN<br>WITHIN DIMENSIONS |  | SEE CHART                             |  | SD-503308-002                         |              | 3 OF 3   |  |           |                    |