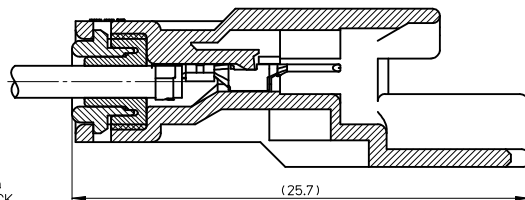
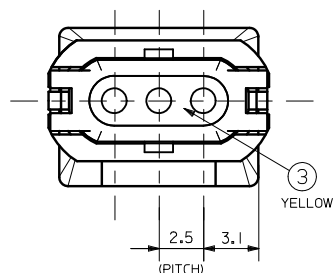
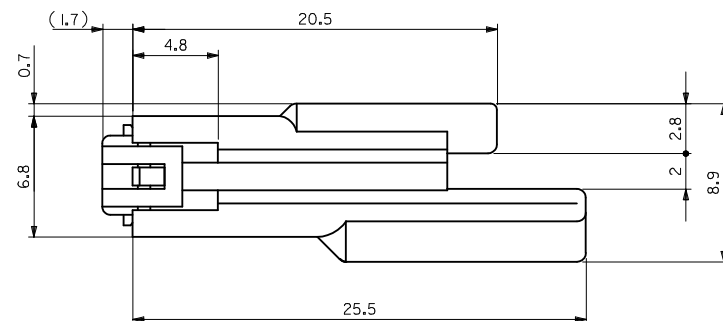


52116-0240~0242 : RED
52116-0243 : BLACK

52116-024*

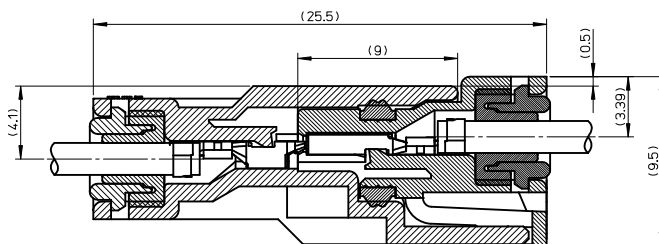


断面A-A (端子装着状態)
SECTION A-A (TERM.ASSEMBLY DRAWING)

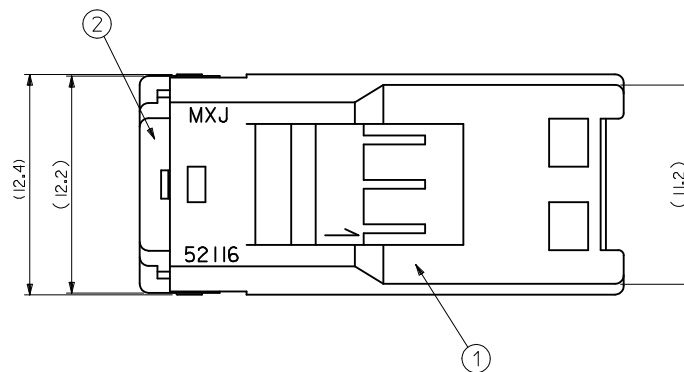


YELLOW

52116-034*



嵌合状態図
FULLY MATED CONDITION



注記
NOTE

- 適合端子 : 50038-8*00
APPLICABLE TERMINAL : 50038-8*00
- 嵌合相手 : 52117-0*4*
MATE'S WITH : 52117-0*4*
- 製品仕様書 : PS-52117-007
PRODUCT SPECIFICATION : PS-52117-007
- 取扱説明書 : AS-52117-001
APPLICATION SPECIFICATION : AS-52117-001
- ELV及びRoHS適合品
ELV AND RoHS COMPLIANT

材料 MATERIAL	色 COLOR	名称 TITLE	③
シリコンゴム SILICONE	参照 SEE DRAWING	ワイヤエンドシール WIRE END SEAL	③
ポリエステル POLYESTER (15%G.F.)	参照 SEE CHART	CAP	②
ポリエステル POLYESTER (15%G.F.)	参照 SEE CHART	プラグハウジング PLUG HOUSING	①

構成部品
COMPONENTS

色 COLOR	材料 No. MATERIAL NO.	極数 CKT
赤 RED	52116-0342	3
黒 BLACK	52116-0341	3
白 WHITE	52116-0340	3
赤 RED	52116-0243	2
黒 BLACK	52116-0242	2
白 WHITE	52116-0241	2
赤 RED	52116-0240	2

REVISED & REDRAWN EC NO: JTR2012-0029 DRWN: S INAKA 2011/07/16 CHKD: SANDO 2011/12/14 APPR: MAYAMAMOTO 2012/01/18	DESCRIPTION	GENERAL TOLERANCES (UNLESS SPECIFIED)		DIMENSION STYLE MM ONLY		SCALE 5:1	DESIGN UNITS METRIC	THIRD ANGLE PROJECTION	
		10 UNDER	±0.2	DRAWN BY Y. ASHIZAWA	DATE 1988/7/8	TITLE 2.5 WATERPROOF CONN. PLUG HSG ASSY W/POSITIVE LOCK		MOLEX INCORPORATED SD-52116-001 SHEET NO. 1 OF 1	
10 OVER 30 UNDER	±0.25	CHECKED BY M. SAKANO	DATE 1988/7/8	APPROVED BY MAYAMAMOTO		DATE 2012/01/18	MATERIAL NO.		
30 OVER	±0.3	ANGULAR ±3 °		DRAFT WHERE APPLICABLE MUST REMAIN WITHIN DIMENSIONS		SEE CHART		THIS DRAWING CONTAINS INFORMATION THAT IS PROPRIETARY TO MOLEX INCORPORATED AND SHOULD NOT BE USED WITHOUT WRITTEN PERMISSION	