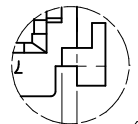


CKT. SIZE	ENG. NO.	EDP. NO.	DIM. 'A' REF.	DIM. 'B'
2	30068-2	15-97-6021	----	.467 (11.86)
4	30068-4	15-97-6041	.165 (4.20)	.467 (11.86)
6	30068-6	15-97-6061	.331 (8.40)	.633 (16.08)
8	30068-8	15-97-6081	.496 (12.60)	.798 (20.27)
10	30068-10	15-97-6101	.661 (16.80)	.963 (24.46)
14	30068-14	NOT TOOLED	.992 (25.20)	1.294 (32.87)
16	30068-16	15-97-6161	1.157 (29.40)	1.459 (37.06)

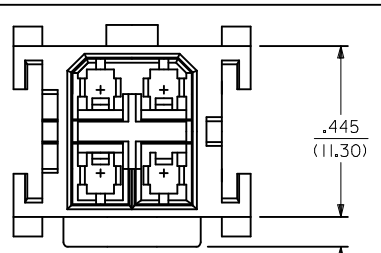
SEE SHT. 2 FOR 18 THRU 24 CKT'S.

**LEGEND:**

30068 - \*  
CIRCUIT SIZE (2-24)

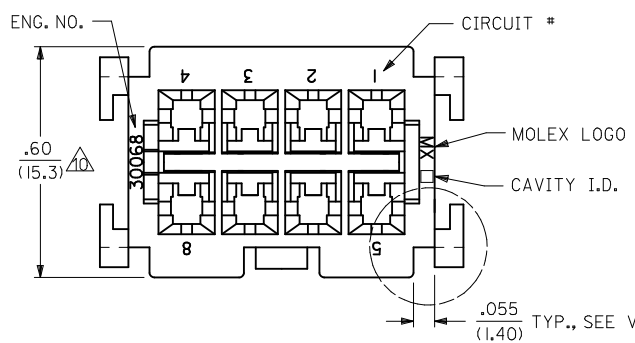


.04  
(1.0) ON 6 & 16 CKT. PARTS ONLY.  
**VIEW 'A'**

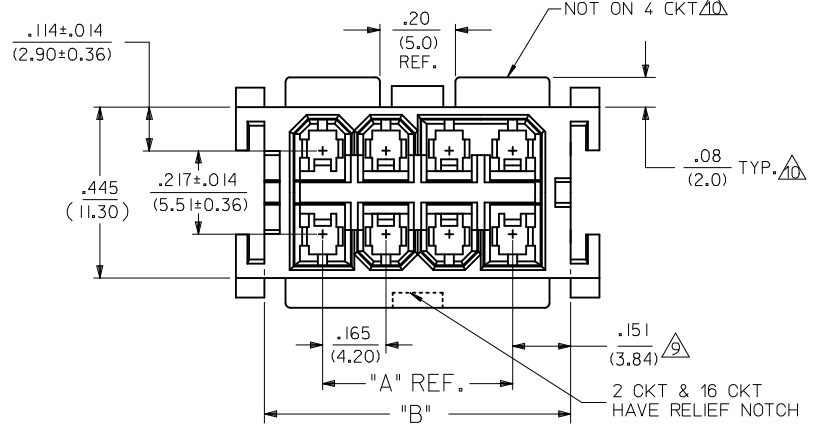
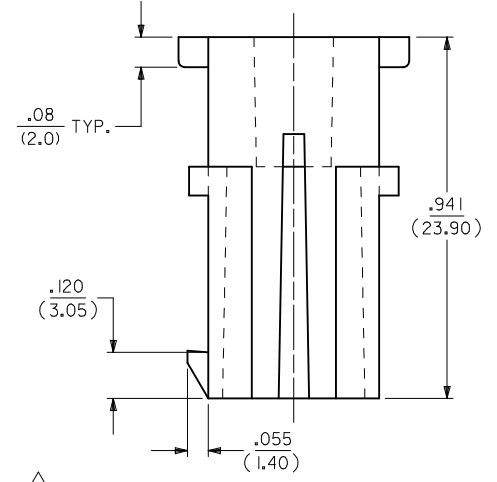
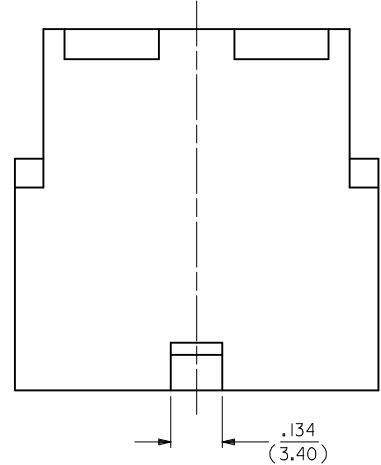
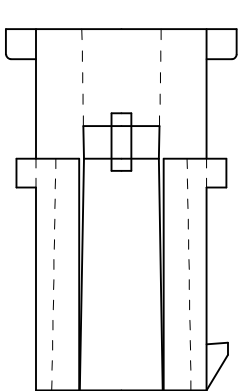


4 CIRCUIT VERSION

SEE SHT. #3 FOR PARTS WITH MOUNTING EARS

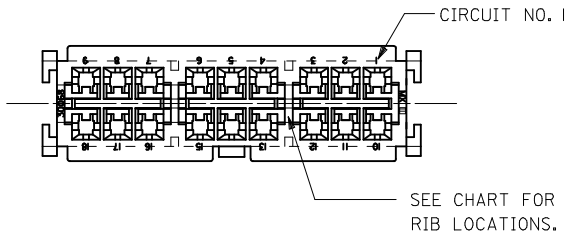


- NOTES:
- MATERIAL: UNFILLED POLYESTER, U.L. 94V-0; COLOR: BLACK
  - FINISH: N/A
  - PRODUCT SPECIFICATION: PS-5556-003
  - PACKAGING: BULK
  - HOUSING TO BE USED WITH TERMINAL #5558.
  - HOUSING MATES WITH RECEPTACLE #30067
  - 2 THRU 10 AND 14 THRU 24 CKT. HOUSING TO BE USED WITH T.P.A. NO. 30072-\*
  - PART CONFORMS TO CLASS 'B' REQUIREMENTS OF COSMETIC SPECIFICATION PS-45499-002.
  - .15/3.84 DIMENSION IS .234/5.94 ON 2 CKT PARTS.
  - SEE 4 CKT VIEW FOR 4 CKT PARTS

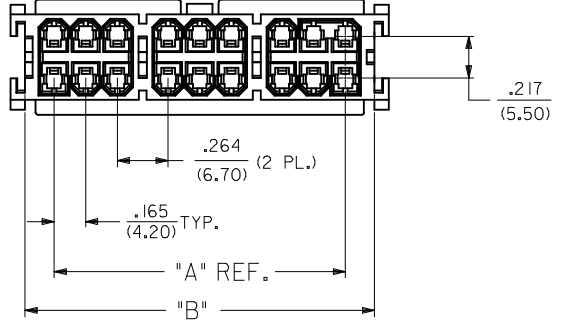
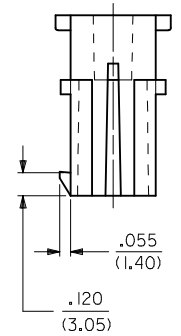
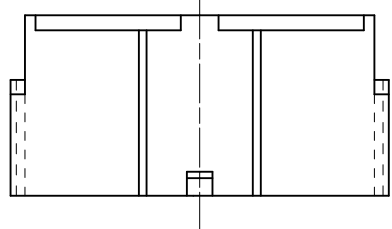
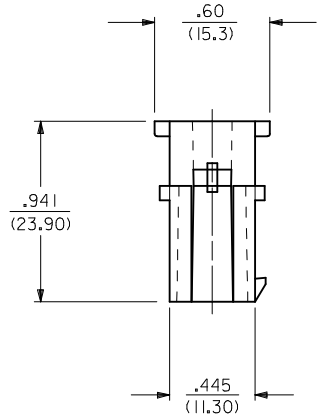


<b>ADD NOTES 9 &amp; 10</b> EC NO: UCP2013-3729 DRW: NGUYEN 2013/03/25 CHKD: BELL 2013/03/25 APPR: FSMITH 2013/04/25 REV: R5	QUALITY SYMBOLS ▽=0 ▽=0 ▽=0	GENERAL TOLERANCES (UNLESS SPECIFIED) <table border="1"> <thead> <tr> <th></th> <th>mm</th> <th>INCH</th> </tr> </thead> <tbody> <tr> <td>4 PLACES</td> <td>± .010</td> <td>± .0004</td> </tr> <tr> <td>3 PLACES</td> <td>± .010</td> <td>± .0004</td> </tr> <tr> <td>2 PLACES</td> <td>± 0.25</td> <td>± .010</td> </tr> <tr> <td>1 PLACE</td> <td>± 0.36</td> <td>± .014</td> </tr> <tr> <td>0 PLACE</td> <td>±</td> <td>±</td> </tr> </tbody> </table>		mm	INCH	4 PLACES	± .010	± .0004	3 PLACES	± .010	± .0004	2 PLACES	± 0.25	± .010	1 PLACE	± 0.36	± .014	0 PLACE	±	±	DIMENSION STYLE <b>IN/MM</b>	SCALE <b>4:1</b>	DESIGN UNITS <b>METRIC</b>	THIRD ANGLE PROJECTION
		mm	INCH																					
	4 PLACES	± .010	± .0004																					
	3 PLACES	± .010	± .0004																					
	2 PLACES	± 0.25	± .010																					
1 PLACE	± 0.36	± .014																						
0 PLACE	±	±																						
DRAFT WHERE APPLICABLE MUST REMAIN WITHIN DIMENSIONS		MATERIAL NO. <b>SEE CHART</b>		DOCUMENT NO. <b>SD-30068-*</b>		SHEET NO. <b>1 OF 3</b>																		
THIS DRAWING CONTAINS INFORMATION THAT IS PROPRIETARY TO MOLEX INCORPORATED AND SHOULD NOT BE USED WITHOUT WRITTEN PERMISSION																								

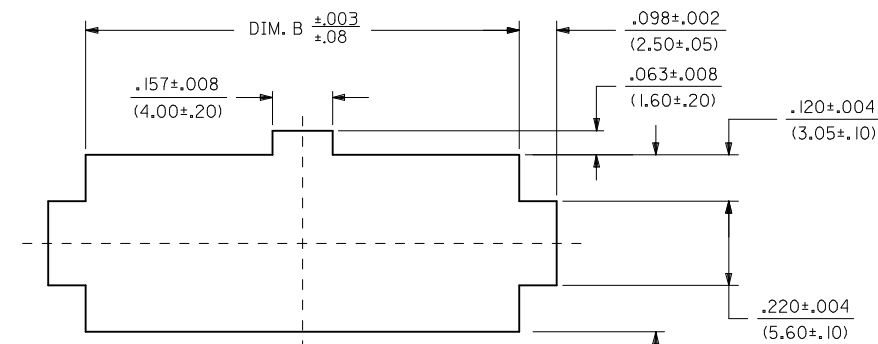
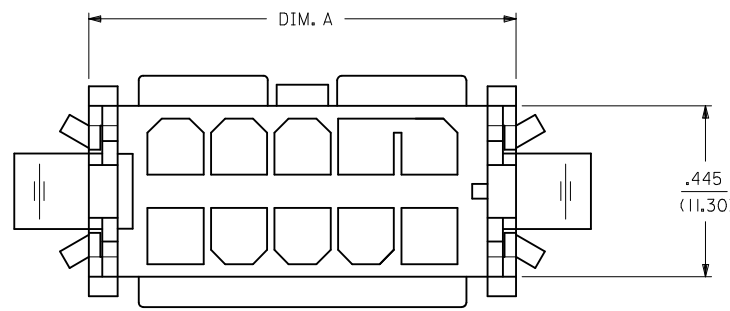
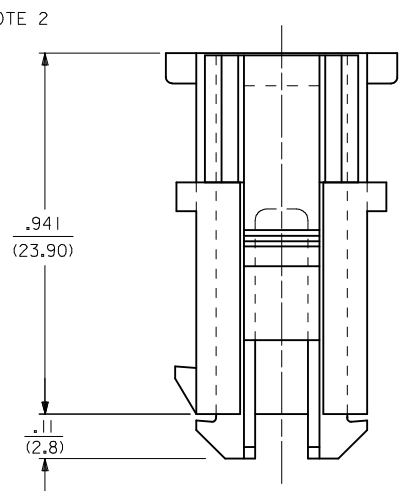
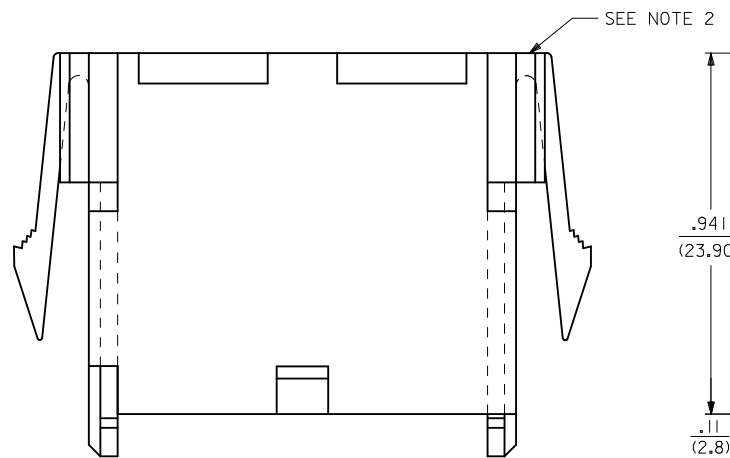
CKT. NO.	ENG. NO.	PART NO.	DIM. A'	DIM. B'	RIBS LOCATED BETWEEN CKT'S.
18	30068-18	NOT TOOLED	1.520 (38.60)	1.822 (46.28)	3,4 & 6,7
20	30068-20	NOT TOOLED	1.685 (42.80)	1.987 (50.46)	3,4 & 7,8
22	30068-22	NOT TOOLED	1.850 (47.00)	2.152 (54.66)	4,5 & 7,8
24	30068-24	NOT TOOLED	2.016 (51.20)	2.318 (58.88)	4,5 & 8,9
SEE SHT. 1 FOR 2 THRU 16 CKT'S.					



LEGEND:  
 30068 - \*  
 CIRCUIT SIZE (18-24)

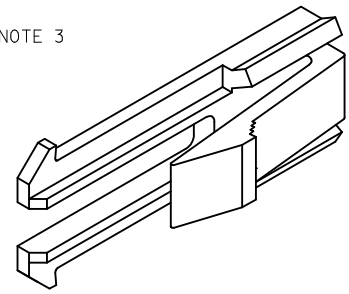
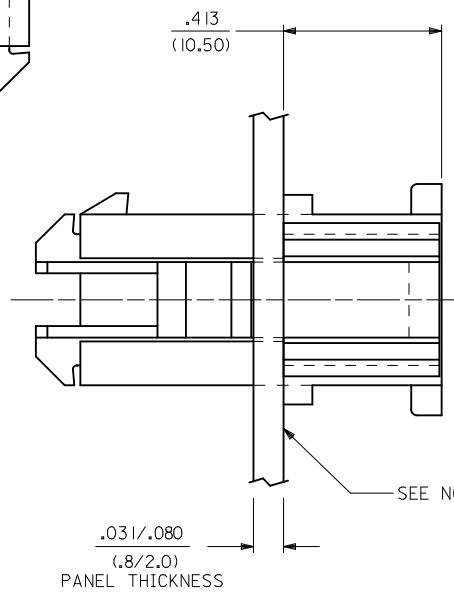


SEE SHEET 1 EC NO: UCP2013-3729 DRAWN: NGUYEN 2013/03/25 CHKD: BELL 2013/03/25 APPR: SMITH 2013/04/25 REV: R5	QUALITY SYMBOLS	GENERAL TOLERANCES (UNLESS SPECIFIED)	DIMENSION STYLE IN/MM	SCALE 2:1	DESIGN UNITS METRIC	THIRD ANGLE PROJECTION
	▽=0	4 PLACES ± .010	DRAWN BY DATE DMF 1989/10/26	TITLE MINI FIT TPA PLUG HSG 2 THRU 24 CIRCUITS WITH OR W/O MTG EARS		
	▽=0	3 PLACES ± .010	CHECKED BY DATE TGP 1989/10/26	molex		
	▽=0	2 PLACES ± 0.25	APPROVED BY DATE FSMITH 2011/08/25			
	▽=0	1 PLACE ± 0.36	MATERIAL NO. SEE CHART		DOCUMENT NO. SD-30068-*	SHEET NO. 2 OF 3
▽=0	0 PLACE ±	ANGULAR ±1/2°		THIS DRAWING CONTAINS INFORMATION THAT IS PROPRIETARY TO MOLEX INCORPORATED AND SHOULD NOT BE USED WITHOUT WRITTEN PERMISSION		
DRAFT WHERE APPLICABLE MUST REMAIN WITHIN DIMENSIONS						



RECOMMENDED PANEL OPENING FOR USE WITH PLUGS WITH MOUNTING EARS.  
RECOMMENDED PANEL THICKNESS .031/(0.8)-.08/(2.0).

.461±.004 (11.70±.10)



**NOTES:**

- 1) MOUNTING EAR MATERIAL: UNFILLED POLYESTER, P.B.T., COLOR: BLACK.
- 2) MOUNTING EARS TO BE INSERTED INTO SIDE SLOTS FROM BACK OF HOUSING.
- 3) HOUSING ASSEMBLY TO BE INSERTED FROM PUNCH SIDE OF PANEL.
- 4) REFER TO DRAWING SD-43130-0001 MOUNTING EAR INFORMATION

NUMBER OF CIRCUITS	DIM. A	DIM. B
2	.617 (15.67)	.634 (16.10)
4	.617 (15.67)	.634 (16.10)
6	.783 (19.89)	.799 (20.30)
8	.948 (24.08)	.965 (24.50)
10	1.113 (28.27)	1.130 (28.70)
12	1.279 (32.49)	1.295 (32.90)
14	1.444 (36.68)	1.461 (37.10)
16	1.609 (40.87)	1.626 (41.30)
18	1.972 (50.09)	1.988 (50.50)
20	2.137 (54.28)	2.154 (54.70)
22	2.303 (58.50)	2.319 (58.90)
24	2.468 (62.69)	2.484 (63.10)

<b>SEE SHEET 1</b> EC NO: UCP2013-3729 DRAWING: NGUYEN 2013/03/25 CHKD: J.BELL 2013/03/25 APPR: F.SMITH 2013/04/25	QUALITY SYMBOLS	GENERAL TOLERANCES (UNLESS SPECIFIED)	DIMENSION STYLE	SCALE	DESIGN UNITS	THIRD ANGLE PROJECTION
	▽=0	mm	IN/MM	4:1	METRIC	☉
	▽=0	INCH	DRAWN BY	DATE	TITLE	
	▽=0	4 PLACES ± --- ± ---	DMF	1989/10/26	MINI FIT TPA PLUG HSG	
		3 PLACES ± --- ± .010	CHECKED BY	DATE	2 THRU 24 CIRCUITS	

2 PLACES ± 0.25 ± .014	TGP	1989/10/26
1 PLACE ± 0.36 ± ---	APPROVED BY	DATE
0 PLACE ± ±	F.SMITH	2011/08/25
ANGULAR ±1/2°		
DRAFT WHERE APPLICABLE MUST REMAIN WITHIN DIMENSIONS		

MATERIAL NO.	DOCUMENT NO.	SHEET NO.
SEE CHART	SD-30068-*	3 OF 3

THIS DRAWING CONTAINS INFORMATION THAT IS PROPRIETARY TO MOLEX INCORPORATED AND SHOULD NOT BE USED WITHOUT WRITTEN PERMISSION		
---	--	--