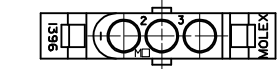
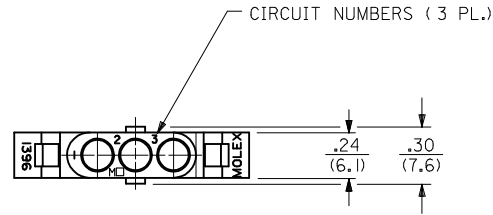
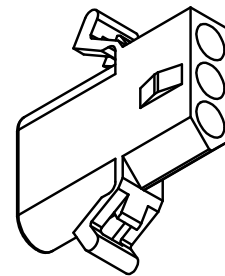
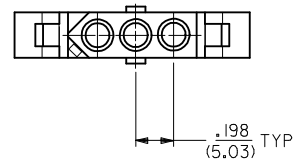
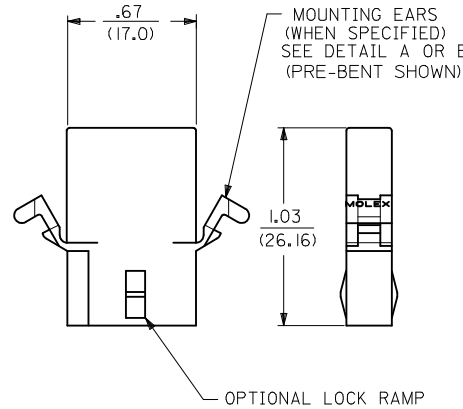


**PLUG**

1396-P SHOWN ABOVE ( WITH STANDARD MOUNTING EAR)

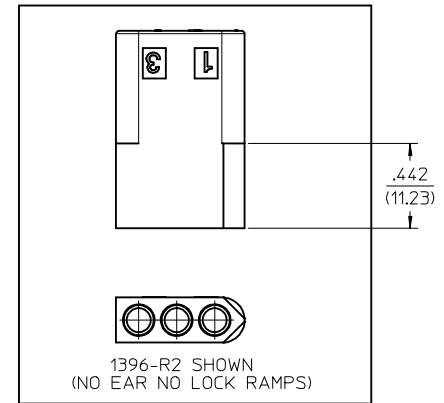


ALTERNATE END CONFIGURATION  
SEE NOTE Δ



**RECEPTACLE**

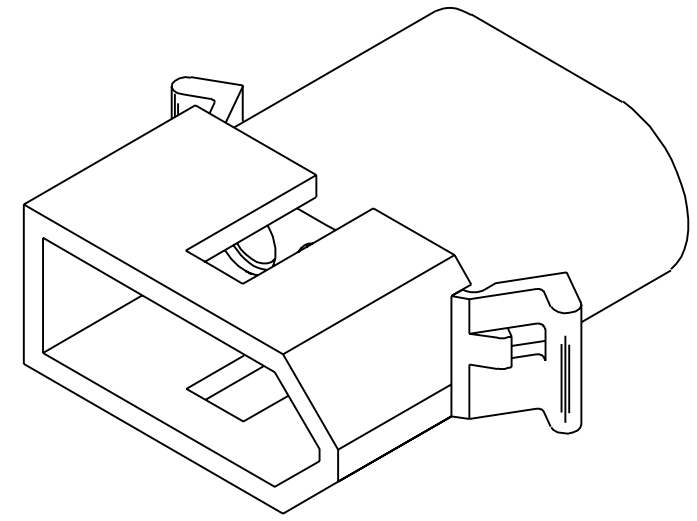
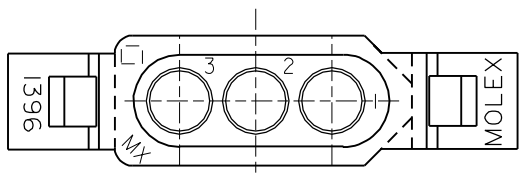
1396-R4 SHOWN ( WITH PRE-BENT EAR)



<b>ADD PK-1396-002</b> EC NO: UCP2016-2183 DRWN:KIPPER 2015/12/09 CHKD:JBELL 2015/12/09 APPR:FSMITH 2015/12/23	DESCRIPTION REV 1	QUALITY SYMBOLS ▽=0 ▽=0 ▽=0	GENERAL TOLERANCES (UNLESS SPECIFIED)		DIMENSION STYLE <b>IN/MM</b>		SCALE <b>2:1</b>	DESIGN UNITS <b>INCH</b>	THIRD ANGLE PROJECTION
		4 PLACES ± --- ± --- 3 PLACES ± --- ± .010 2 PLACES ± 0.25 ± .014 1 PLACE ± 0.35 ± --- 0 PLACE ± --- ± ---	mm INCH ± .010 ± .014 ± 0.25 ± .014 ± 0.35 ± ---	DRAWN BY JJS	DATE 1988/04/08	TITLE <b>.093/(2.36) HOUSING          PLUG AND RECEPTACLE          3 CIRCUIT .198 CENTERS</b>			
		DRAFT WHERE APPLICABLE MUST REMAIN WITHIN DIMENSIONS		CHECKED BY RW	DATE 1988/04/08	MATERIAL NO. <b>SEE CHART</b>		DOCUMENT NO. <b>SD-1396-*</b>	SHEET NO. <b>1 OF 2</b>
		ANGULAR ±1/2°		APPROVED BY FSMITH	DATE 2014/06/23	<b>molex</b>			

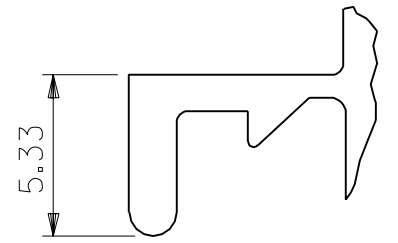
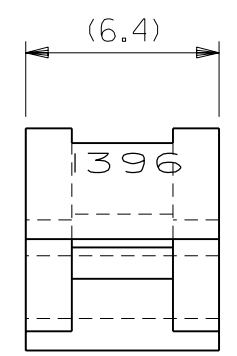
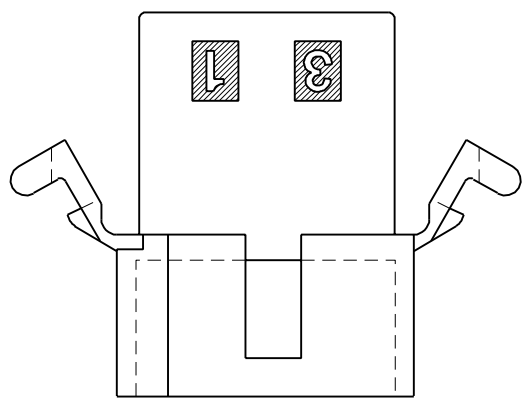
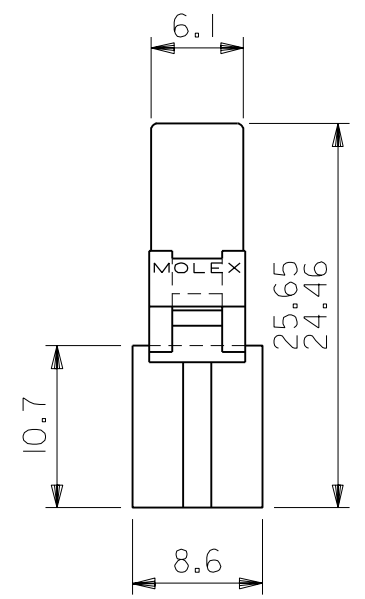
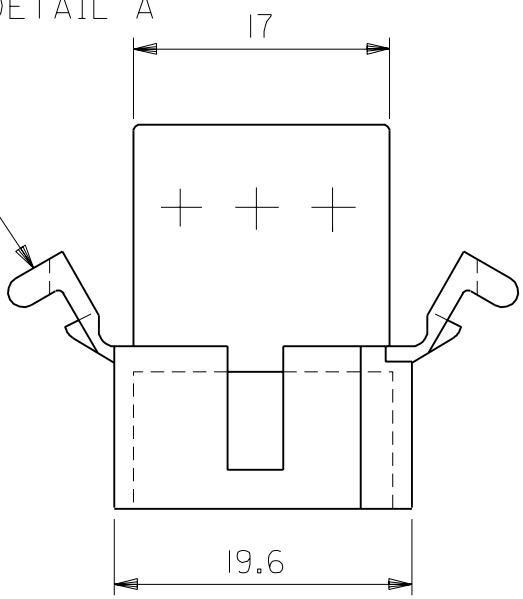


DWG. NO.  
SD-1396-002

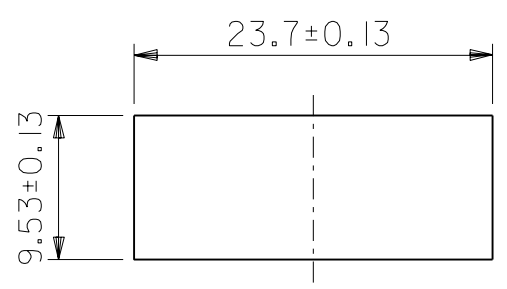
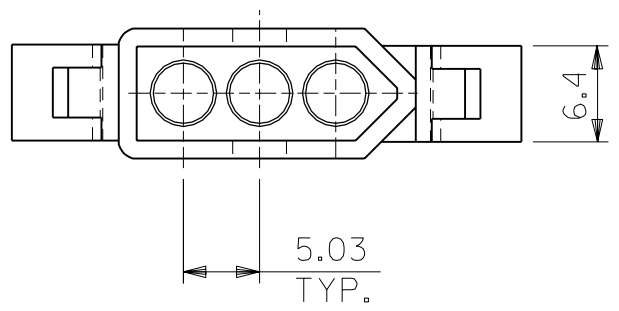


PLUG

MT'G EARS (表参照)  
参照 DETAIL A



DETAIL A  
(SCALE 4:1)



パネル取付穴寸法  
(パネル厚 2.29最大)

1396P1	03-09-2032	無	WITHOUT
1396P	03-09-2031	有	WITH
ENG. NO.	EDP NO.	MT'G EARS	

DO NOT SCALE DRAWING

EC NO.	EC NO.	EC NO.	EC NO.
DRWN:	DRWN:	DRWN:	DRWN:
CHK:	CHK:	CHK:	CHK:
APPR:	APPR:	APPR:	APPR:

RELEASED  
EC NO. JC2001-0078  
DRWN: K.KOHAMA '00/08/28  
CHK: T.YAMAGUCHI  
APPR: M.FUKUSHIMA

MATERIAL 材料	NYLON66 94V-2
FINISH 仕上り	
WIRE RANGE 適用電線範囲	
INS. RANGE 被覆外径	

GENERAL TOLERANCES: (UNLESS SPECIFIED) 一般公差	SCALE 2 : 1
10 UNDER 未満	DESIGN UNITS <input checked="" type="checkbox"/> mm <input type="checkbox"/> INCH
10 OVER 30 UNDER 以上 未満	THIRD ANGLE PROJECTION
30 OVER 以上	
ANGLE 角度	

MODEL NO.	03-09-2***	DIMENSIONS:	SHT	REV
		<input type="checkbox"/> mm <input type="checkbox"/> INCH <input checked="" type="checkbox"/> mm ONLY		
DRAWN BY & DATE K.KOHAMA '00/08/28	TITLE: 3 CIRCUITS PLUG HSG (0.093 DIA TERMINAL)			
CHECKED BY & DATE T.YAMAGUCHI '00/08/28	MOLEX INCORPORATED			
APPROVED BY & DATE M.FUKUSHIMA '00/08/28	MATERIAL NO. SEE NOTES	DRAWING NO. SD-1396-002	SHEET NO. 1 OF 1	
CAD FILENAME 1396002.S01				SIZE B
THIS DRAWING CONTAINS INFORMATION THAT IS PROPRIETARY TO MOLEX INCORPORATED AND SHOULD NOT BE USED WITHOUT WRITTEN PERMISSION.				